

6/26/90 pm

05-381037

PERMIT

SEWAGE DISPOSAL SYSTEM

MARYLAND STATE DEPARTMENT OF HEALTH

HOWARD COUNTY
BUREAU OF ENVIRONMENTAL HEALTH
461-9933

INDEXED

P 4/125

A REPAIR

DISTRICT _____

DATE 7/4/90

DATE SYSTEM APPROVED 6/26/90

INSPECTOR M. Ripkin

Jack Fyock Septic Service IS PERMITTED TO INSTALL _____ ALTER X

ADDRESS 13775 Triadelphia Road, Glenelg, Maryland 21737 PHONE 988-9270

SUBDIVISION _____ ROAD 7419 Flamewood Drive LOT _____

PROPERTY OWNER _____ Bals Residence

ADDRESS _____ 7419 Flamewood Drive

ADDRESS _____ Fulton, Maryland 20759

~~IF GARAGE GRINDER IS USED INCREASE SEPTIC TANK CAPACITY BY 90% AND ABSORPTION AREA BY 25%~~

~~GARAGE GRINDER~~ YES ~~XXXXXXXXXXXX~~ ~~NO~~ ~~XXXXXXXX~~

SEPTIC TANK CAPACITY 1250 GALLONS NUMBER OF BEDROOMS 4

REPAIR - CALL FOR INSPECTION WHEN GROUND IS OPENED SO SANITARIAN CAN RECOMMEND REPAIR.

180 ABR 720-300 = 420 INLET 4 BOT 10 1/2
7' STONE

PLANS APPROVED BY _____ Craig Williams cm DATE 06/26/90

COVER NO WORK UNTIL INSPECTED AND APPROVED

NEITHER THE HOWARD COUNTY COUNCIL NOR THE HEALTH DEPARTMENT IS RESPONSIBLE FOR THE SUCCESSFUL OPERATION OF ANY SYSTEM

NOTE: CLEANOUT REQUIRED EVERY 70 FEET OF SEWER LINE AND/OR AT 90° SWEEPS IN LINES FROM HOUSE TO DRAIN FIELDS

NOTE: ALL PARTS OF SEPTIC SYSTEMS (I.E. TANK, DISTRIBUTION BOX, TRENCHES) TO BE 100 FEET FROM WELL (UNLESS OTHERWISE SPECIFICALLY AUTHORIZED)

NOTE: IF DEEP TRENCHES ARE USED CALL FOR INSPECTION BEFORE AND AFTER PLACING GRAVEL IN TRENCHES

NOTE: NO DRY WELL SHALL EXCEED 15 FOOT IN DIAMETER NO ABSORPTION TRENCH TO EXCEED 100 FEET IN LENGTH.

NOTE: ALL PIPE FROM HOUSE TO SEPTIC TANK MUST BE CAST IRON OR SCHEDULE 40 PVC OR ABS

PERMIT VOID AFTER TWO YEARS

NOTE: INSTALL STAND PIPE ON SEPTIC TANK AND DRY WELL. STAND PIPES MUST BE 6 INCHES IN DIAMETER. CAST IRON, CONCRETE OR TERRA COTTA OR PVC OR ABS ACCEPTED. IF TOP OF SEPTIC TANK IS DEEPER THAN 3 FEET, MANHOLE TO GRADE REQUIRED

NOTE: DISTRIBUTION BOXES MUST HAVE BAFFLES

***INSTALLER IS RESPONSIBLE FOR OBTAINING FINAL APPROVAL ON THIS PERMIT**

*CALL 461-9933 FOR INSPECTION OF SEPTIC SYSTEMS.

46125

SYSTEM TO BE INSTALLED FIRST
BEFORE BUILDING PERMIT CAN
BE SIGNED.

PERMIT

SEWAGE DISPOSAL SYSTEM

MARYLAND STATE DEPARTMENT OF HEALTH*

HOWARD COUNTY

INDEXED

ELLICOTT CITY

DISTRICT 5th

DATE 1/4/79

Mass correction
8-22-79
60 29370
P _____
A 24495

*3/8/79 trench resp
found resp
a.m. if possible.*

Orndorff installer

~~Randall Construction Company, Inc.~~

IS PERMITTED TO INSTALL ALTER

ADDRESS 3821 Archer Place, Kensington, Maryland 20795 PHONE 942-1208

SUBDIVISION Flamewood ROAD 749 Flamewood Drive LOT 3, Blk. B, Sec. 3

PROPERTY OWNER Randall Construction Company, Inc.

ADDRESS _____

SPECIFICATIONS 4 bedrooms

SEPTIC TANK CAPACITY 1250 GALLONS

DRAIN FIELD _____ DEPTH _____ FEET, BOTTOM AREA _____ SQ. FT.

DEEP TRENCH _____ DEPTH _____ FEET, BOTTOM AREA _____ SQ. FT.

SEEPAGE PITS ABSORBENT SIDE-WALL AREA 300 SQ. FT. total sidewall area in dry well.

INLET PIPE 5 1/2 FT. BELOW ORIGINAL GRADE. MAXIMUM DEPTH 10 FT. BELOW ORIGINAL GRADE

EFFECTIVE DEPTH AT _____ FT. BELOW ORIGINAL GRADE.

LOCATE DISPOSAL AREA 15 FT. FROM 385.98' LOT LINE AND 140 FT. FROM 120' LOT LINE AS SEEN WHEN FACING LOT FROM right-of-way.

Trench to be 48 ft. long. Inlet at 5 ^{1/2} ft. below original grade and maximum depth 10 ft. below original grade. Come off rear of dry well, run trench towards 120 ft. (rear) lot line. Follow contour to keep trench level.

PLANS APPROVED BY William W. Zepp DATE 11/2/77

COVER NO WORK UNTIL INSPECTED AND APPROVED.

NEITHER THE HOWARD COUNTY COUNCIL NOR THE HEALTH DEPARTMENT IS RESPONSIBLE FOR THE SUCCESSFUL OPERATION OF ANY SYSTEM.

NOTE: IF TRENCH IS USED CALL FOR INSPECTION BEFORE PLACING GRAVEL IN TRENCH.

NOTE: NO DRY WELL SHALL EXCEED 15 FOOT IN DIAMETER.

NOTE: ALL PIPE FROM HOUSE TO DISPOSAL AREA MUST BE CAST IRON.

PERMIT VOID AFTER THREE YEARS.

NOTE: INSTALL STAND PIPE ON SEPTIC TANK AND DRY WELL. STAND PIPES MUST BE 6 INCHES IN DIAMETER. CAST IRON, CONCRETE OR TERRA COTTA ACCEPTED.

***INSTALLER IS RESPONSIBLE FOR OBTAINING FINAL APPROVAL ON THIS PERMIT.**

HD - 23

BLDG. PERMIT SIGNED
AND RETURNED 3/13/79

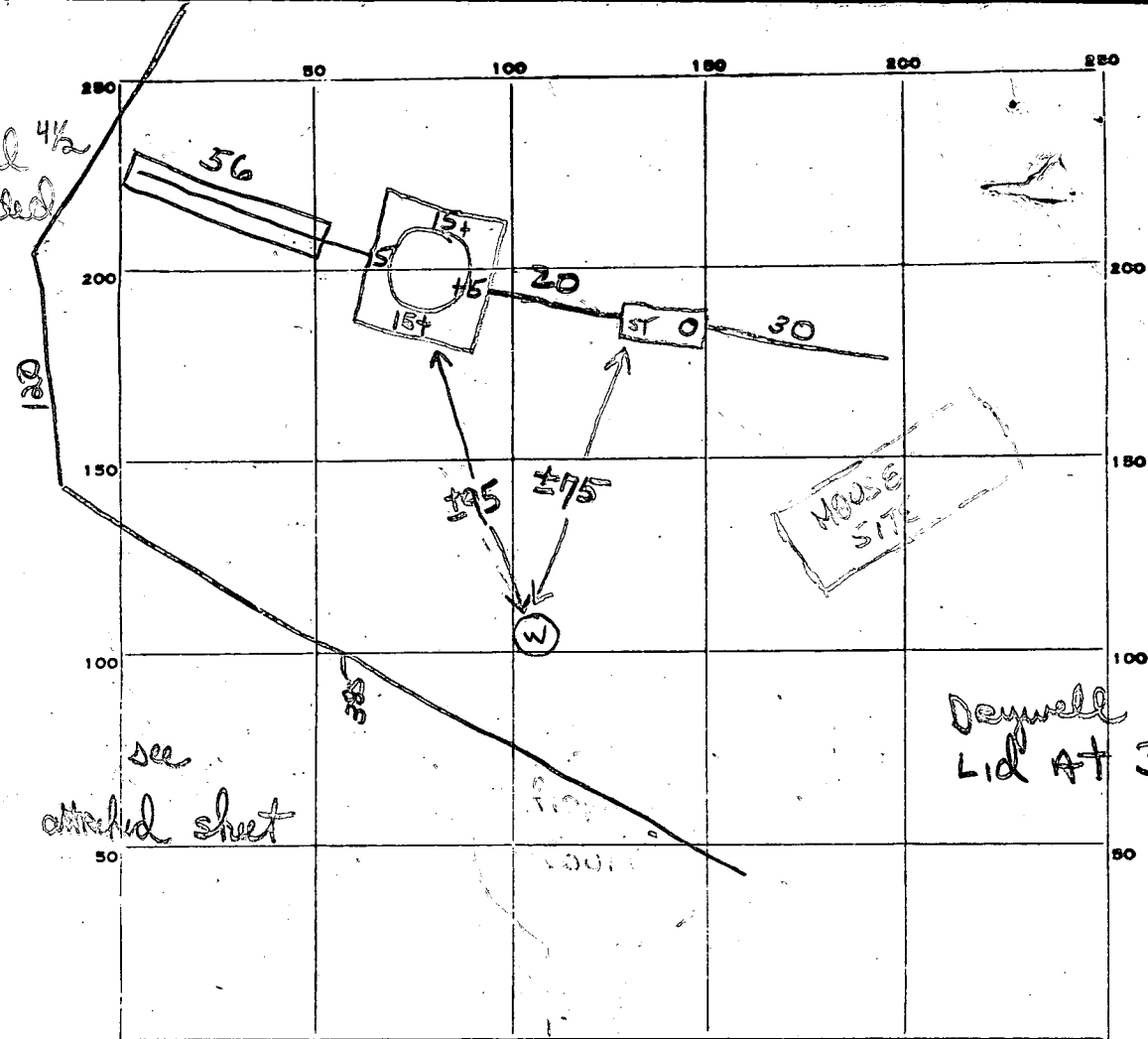
serial # 38454

BLDG. PERMIT SIGNED
AND RETURNED 7/25/79
Serial # 60180 Pool.

*LOT 4
SEC 3*

A 24495

300
216
5 1/2 Total
Needed 4 1/2



56
4
22 4
20
25 2

INDICATE NORTH. - NAME ADJOINING ROADWAY AS BASE LINE.

PERMIT CARD contractor FLAMEWOOD ST DW

SEPTIC TANK, LEVEL 1250 Tapered CLEANOUTS CAST IRON

DISTRIBUTION BOX, LEVEL _____

TILE FIELD, DEPTH 10 FT. TRENCH WIDTH 2 FT.

GRAVEL DEPTH 4 1/2 * TOTAL LENGTH 56 FT.

NUMBER OF TRENCHES _____ TOTAL BOTTOM AREA 252 ± 252

SEE PAGE PITS, perimeter INSIDE DIAMETER 60+ FT. DEPTH BELOW INLET 4 1/2 FT. ± 270

ABSORBENT AREA ±532 SQ. FT. ± 532

REMARKS 3 MAR 79 Call for next inspection when gravel is added to trench
 when work on pipes complete. See sheet attached (GLP)
3 MAR 79 - OK to backfill. Call for house connection (GLP)

DATE SYSTEM APPROVED 4/29/80 INSPECTOR [Signature]

RANDALL CONSTRUCTION COMPANY, INC.

3821 Archer Place
Kensington, Maryland 20795

RANDALL L. REINER

(301) 942-1208

April 28, 1980

Mr. Donald Montgomery
Howard County Health Dept.
Ellicott City, Md. 21043

Dear Mr. Montgomery;

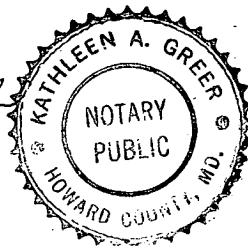
As per our conversation this afternoon, I would like to certify that the house connection on lot 3B, 7419 Flamewood Dr. Clarksville, Md, has been completed all the way from the house to the septic tank in "cast iron" pipe. As requested, I am getting this statement notarized.

Sincerely yours

R L Reiner president
Randall Construction Co. Inc.

Kathleen A. Greer, Notary

My Commission Expires 7/1/82



APPLICATION

A 24495

SEWAGE DISPOSAL TESTING

P _____

STATE OF MARYLAND - DEPARTMENT OF HEALTH AND MENTAL HYGIENE

HOWARD COUNTY HEALTH DEPARTMENT
ENVIRONMENTAL HEALTH SERVICES
P. O. BOX 476, ELLICOTT CITY, MARYLAND 21043
TELEPHONE: 465-5000, EXT. 356

DISTRICT 5

DATE 3-15-76

TO: THE COUNTY HEALTH OFFICER
ELLICOTT CITY, MARYLAND

I, HEREBY, APPLY FOR THE NECESSARY TEST IN ORDER TO CONSTRUCT (OR RECONSTRUCT) A SEWAGE DISPOSAL SYSTEM.

PROPERTY OWNER Henry Dryfoos, III

ADDRESS 4701 Sangamore Road, Washington, D.C. 20016 PHONE 229-5052

PROPERTY LOCATION:

SUBDIVISION Flamewood LOT NO. 3, Block B

ROAD AND DESCRIPTION _____

SIZE OF LOT 96,000 TYPE BLDG. 4 NUMBER OF BEDROOMS

IF NOT SINGLE RESIDENCE DESCRIBE _____

THE SYSTEM INSTALLED UNDER THIS APPLICATION IS ACCEPTABLE ONLY UNTIL PUBLIC FACILITIES BECOME AVAILABLE.

SIGNATURE OF APPLICANT Henry Dryfoos III

APPROVED BY William H. Zapp FOR DW + tunnel DATE 11/2/77
(KIND OF SYSTEM)

REJECTED BY _____ FOR _____ DATE _____
(KIND OF SYSTEM)

HOLD PENDING FURTHER TESTS _____ DATE _____

REASONS FOR REJECTION OR HOLDING _____

THIS IS NOT A PERMIT

B 1 **4659** SEQUENCE NO. (WRA USE ONLY)

1 2 3 (SEQ. NO.) 6
 (THIS NUMBER IS TO BE PUNCHED IN COLS. 3-6 ON ALL CARDS)

STATE OF MARYLAND
WATER RESOURCES ADMINISTRATION
TAWES STATE OFFICE BLDG., ANNAPOLIS, MARYLAND 21401
APPLICATION FOR PERMIT TO DRILL WELL

WRA PERMIT NUMBER
HO 7203134
FILL IN THIS FORM COMPLETELY

DATE RECEIVED (WRA USE ONLY)
 2/21/79
 10:30 AM

OWNER Redwood COL. 15 LAST NAME Redwood COL. 34 FIRST NAME
STREET OR RFD 3821 Ucker Pl. COL. 36 COL. 55
POST OFFICE Kennington Md - 20795 COL. 57 COL. 76

B 1 CONTINUED DRILLER INFORMATION

1 2 3 (SEQ. NO.) 6

DATE Jan 14, 1979 **LICENSE NUMBER** 238
 77 80

FIRST NAME Joseph H. Mayne **DRILLER** **LAST NAME**
SIGNATURE Joseph H. Mayne

B 3 LOCATION OF WELL

1 2 3 (SEQ. NO.) 6

COUNTY Howard COL. 8 (DO NOT ABBREVIATE COUNTY NAME) COL. 21
SUBDIVISION 2 COL. 23 COL. 42
SECTION 12 **LOT** 3 COL. 44 COL. 48 COL. 50
NEAREST TOWN Fulton COL. 52 COL. 71
MILES FROM TOWN (ENTER 0 IF IN TOWN) 2 1/2 COL. 73 COL. 76 77 78

B 2 WELL INFORMATION

1 2 3 (SEQ. NO.) 6

MAXIMUM PUMPING RATE (GALLONS PER MINUTE) 5 COL. 8 COL. 12
AVERAGE DAILY QUANTITY NEEDED (GALLONS PER DAY) 750 COL. 14 COL. 20

USE FOR WATER (CIRCLE APPROPRIATE BOX)

D HOME (SINGLE OR DOUBLE HOUSEHOLD UNIT ONLY)
 F FARMING, AGRICULTURE, IRRIGATION
 I INDUSTRIAL, COMMERCIAL, STATE AND FEDERAL GOVERNMENT.
 M MUNICIPAL WATER SUPPLY
 P PRIVATE WATER COMPANY } MUST HAVE STATE HEALTH DEPT. APPROVAL
 T TEST

B 4 DIRECTION FROM TOWN (CIRCLE APPROPRIATE BOX)

1 2 3 (SEQ. NO.) 6

N NORTH **E EAST** **NE NORTHEAST** **SE SOUTHEAST**
 S SOUTH **W WEST** **NW NORTHWEST** **SW SOUTHWEST**

NEAR WHAT ROAD Fulton Road Drive COL. 11 COL. 30
ON WHICH SIDE OF ROAD (CIRCLE APPROPRIATE BOX) **N NORTH** **S SOUTH** **E EAST** **W WEST** COL. 32 COL. 37
DISTANCE FROM ROAD (ENTER DISTANCE AND CIRCLE APPROPRIATE BOX) 350 COL. 34 COL. 37 38 39

APPROXIMATE DEPTH OF WELL 200 COL. 24 COL. 26 FEET
APPROXIMATE DIAMETER OF WELL 6 COL. 28 (NEAREST INCH)

METHOD OF DRILLING USED (CIRCLE APPROPRIATE METHOD)

BORED (OR AUGERED) **JETTED** **DRIVEN**
 AIR-ROTARY **AIR-PERCUSSION** **ROTARY (HYDRAULIC ROTARY)**
 CABLE **REVERSE-ROTARY** **DRIVE-POINT**

OTHER (DESCRIBE)

REPLACEMENT OR DEEPEMED WELLS (CIRCLE APPROPRIATE BOX)

N THIS WELL WILL NOT REPLACE AN EXISTING WELL
 Y THIS WELL WILL REPLACE A WELL THAT WILL BE ABANDONED AND SEALED.
 S THIS WELL WILL REPLACE A WELL THAT WILL BE USED AS A STANDBY
 D THIS WELL WILL DEEPEM AN EXISTING WELL PERMIT NUMBER OF WELL TO BE REPLACED OR DEEPEMED (IF AVAILABLE)

NOT TO BE FILLED IN BY DRILLER (WRA USE ONLY)

APPROPRIATION PERMIT NUMBER 54 **ENGINEER REVIEW DISTRICT NO.** 63 COL. 65
FORCE 67 **WRITE INITIALS IN BOX** JK **CONDITIONS** 70 71 72 73 74 75 76 77 78 79

B 4 CONTINUED HEALTH DEPARTMENT APPROVAL

1 2 3 (SEQ. NO.) 6

STATE HEALTH (CIRCLE BOX) S **COUNTY NAME** Howard **COUNTY NO.** 1129424 COL. 41 COL. 48
DATE 011879 **APPROVED BY** Donald W. Monaghan, Sanitaria COL. 43 COL. 48

DRAW A SKETCH BELOW SHOWING LOCATION OF WELL IN RELATION TO NEARBY TOWNS, ROADS AND STREAMS WITH NORTH IN THE DIRECTION OF THE ARROW, AND GIVE DISTANCE FROM WELL TO NEAREST ROAD JUNCTION OR STREAM CROSSING SHOWN ON THE SKETCH. ALSO SHOW, BY MEANS OF AN "X", THE WELL LOCATION IN THE BOX BELOW AND THE BOX NUMBER FROM THE WELL LOCATION MAP.

N ↑ 21 Feb 79

65' CASING
25' open hole skins rd
extended effort to jet to 50' open
2' above grade 400 ft
16 bags cement.
well drilled as staked well
heavy snow cover - location appears correct.
GLK
Fulton

BOX NUMBER 820 COL. 58
480 COL. 59

NORTH COORDINATE 47 COL. 60 COL. 65
EAST COORDINATE 57 COL. 66 COL. 71
ELEVATION AT WELL HEAD (FEET) 0/0 COL. 65 COL. 71

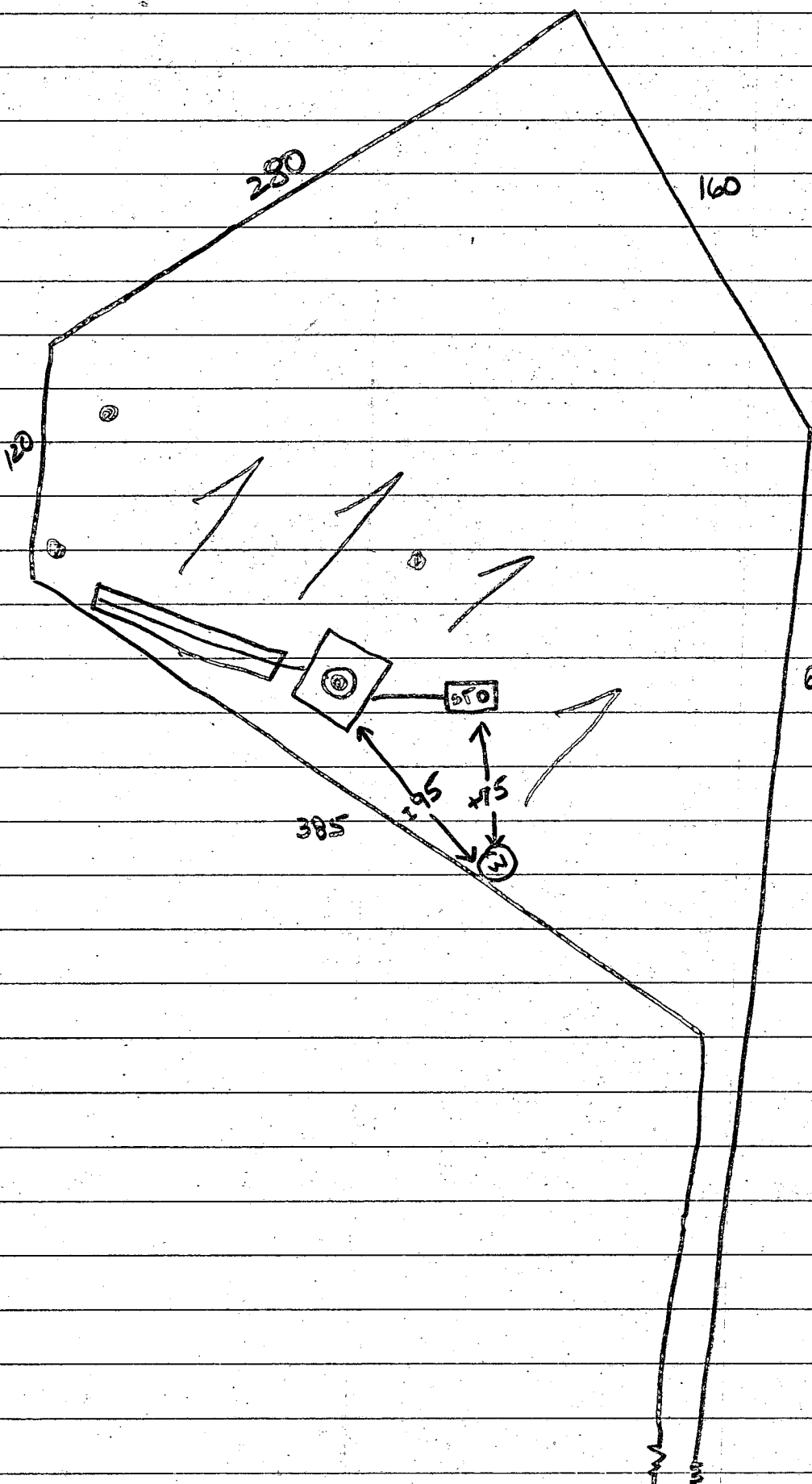
WELL LOCATION MAP

		X	

0/5 5/5
 0/0 5/0

B 5 SPECIAL CONDITIONS 8-63 (WRA USE ONLY)

1 2 3 (SEQ. NO.) 6



SMARTT Data below
 supplied by elevation
 sheet which Orndorff
 (installer) had. System
 installed according to
 specs. However, well
 as drilled & grouted
 slightly lower (1-1/2')
 than drywell & trench
 which is directed
 slightly uphill.
 * Topography of lot
 necessitated locating
 well as shown; natural drainage
 of land would
 be away from
 well.

Discussed with JF
 OK.

Flamewood

C 1 **3416** SEQUENCE NO. (WRA USE ONLY)

1 2 3 (SEQ. NO.) 6

(THIS NUMBER IS TO BE PUNCHED IN COLS. 3-6 ON ALL CARDS)

STATE OF MARYLAND
WATER RESOURCES ADMINISTRATION
 TAWES STATE OFFICE BLDG., ANNAPOLIS, MD. 21401
WELL COMPLETION REPORT

THIS REPORT MUST BE SUBMITTED WITHIN 30 DAYS AFTER WELL COMPLETION

FILL IN THIS FORM COMPLETELY

COUNTY NUMBER

DATE RECEIVED (WRA USE ONLY) DEPTH OF WELL 380 PERMIT NO. FROM "PERMIT TO DRILL WELL" 47-16-9179

DATE WELL COMPLETED 22 (TO NEAREST FOOT) 26

8-13 18 20

DRILLERS IDENTIFICATION NO. 338

OWNER Rebeck LAST NAME FIRST NAME

STREET OR RFD POST OFFICE

WELL LOG

STATE THE KIND OF FORMATIONS PENETRATED, THEIR COLOR, DEPTH, THICKNESS AND IF WATER BEARING

DESCRIPTION (USE ADDITIONAL SHEETS IF NECESSARY)	FEET		CHECK IF WATER BEARING
	FROM	TO	
<u> </u>	<u>0</u>	<u>60</u>	
<u> </u>	<u>60</u>	<u>280</u>	

Mag. under Park

GROUTING RECORD

WELL HAS BEEN GROUTED (CIRCLE APPROPRIATE BOX) YES NO

TYPE OF GROUTING MATERIAL (CIRCLE APPROPRIATE BOX)

CEMENT BENTONITE CLAY

NO. OF BAGS 16 NO. OF POUNDS 1504

GALLONS OF WATER 96

DEPTH OF GROUT SEAL (TO NEAREST FOOT)

FROM 0 FT. TO 50 FT.

CASING RECORD

INSERT APPROPRIATE CODE BELOW

STEEL CONCRETE

PLASTIC OTHER

MAIN CASING TYPE ST NOMINAL DIAMETER TOP (MAIN) CASING (NEAREST INCH) 6 TOTAL DEPTH OF MAIN CASING (NEAREST FOOT) 65

OTHER CASING (IF USED)

DIAMETER (INCH) FROM TO

EACH CASING

SCREEN RECORD

INSERT APPROPRIATE CODE BELOW

STEEL BRASS - OPEN HOLE OR BRONZE

PLASTIC OTHER

DEPTH (NEAREST WHOLE FOOT)

FROM TO

1 40 8 9 11 63 15 17 380 21

2 23 24 26 30 32 36

3 38 39 41 45 47 51

SLOTSIZE 1. 2. 3.

DIAMETER OF SCREEN 56 (NEAREST INCH) FROM TO

GRAVEL PACK

IF WELL DRILLED WAS A FLOWING WELL CIRCLE BOX 68 F

WRA USE ONLY (NOT TO BE FILLED IN BY DRILLER) (E.R.O.S.)

TELESCOPE CASING LOG INDICATOR OTHER DATA AVAILABLE

PUMPING TEST

HOURS PUMPED (TO NEAREST HOUR) 4

PUMPING RATE (GALLONS PER MINUTE TO NEAREST GALLON) 4

METHOD USED TO MEASURE PUMPING RATE

WATER LEVEL: (DISTANCE FROM LAND SURFACE)

BEFORE PUMPING 20 (NEAREST FOOT) 17 20

WHEN PUMPING 5 (NEAREST FOOT) 22 25

TYPE OF PUMPED USED (CIRCLE APPROPRIATE BOX) (FOR PUMPING TEST)

AIR PISTON TURBINE

CENTRIFUGAL ROTARY OTHER (DESCRIBE BELOW)

JET SUBMERSIBLE

PUMP INSTALLED

TYPE OF PUMP (WRITE APPROPRIATE LETTER IN BOX - SEE ABOVE: A, C, J, P, R, S, T, O) 29

DRILLER WILL INSTALL PUMP (CIRCLE APPROPRIATE BOX) YES NO

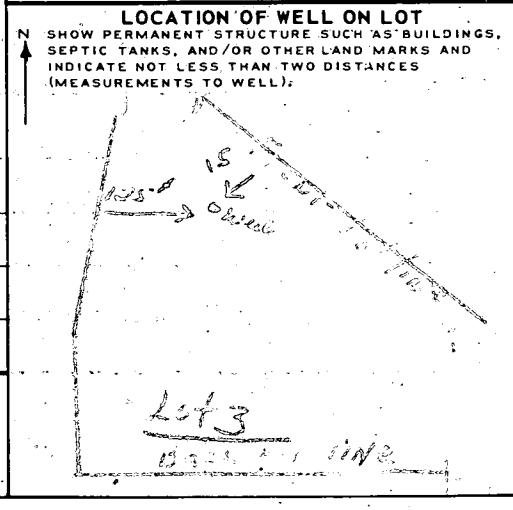
CAPACITY: GALLONS PER MINUTE (TO NEAREST GALLON) 31 35

PUMP HORSE POWER 37 41

PUMP COLUMN LENGTH (NEAREST FOOT) 43 47

CASING HEIGHT (CIRCLE APPROPRIATE BOX AND ENTER CASING HEIGHT)

ABOVE BELOW LAND SURFACE (NEAREST FOOT) 2 50 51



CIRCLE APPROPRIATE BOXES

A WELL WAS ABANDONED AND SEALED WHEN THIS WELL WAS COMPLETED

E ELECTRIC LOG OBTAINED

P TEST WELL CONVERTED TO PRODUCTION WELL

I HEREBY CERTIFY THAT I HAVE COMPLIED WITH ALL CONDITIONS STATED ON THE ABOVE-CAPTIONED "PERMIT TO DRILL WELL", AND THAT INFORMATION CONTAINED IN THIS REPORT IS TRUE, ACCURATE, AND COMPLETE TO THE BEST OF MY KNOWLEDGE, INFORMATION AND BELIEF.

DRILLERS NAME Joseph L. Mayps

SIGNATURE

C 1 **2606** SEQUENCE NO. (WRA USE ONLY)

1 2 3 (SEQ. NO.) 6
 (THIS NUMBER IS TO BE PUNCHED IN COLS. 3-6 ON ALL CARDS)

STATE OF MARYLAND
WATER RESOURCES ADMINISTRATION
 TAWES STATE OFFICE BLDG., ANNAPOLIS, MD. 21401
WELL COMPLETION REPORT

THIS REPORT MUST BE SUBMITTED WITHIN 30 DAYS AFTER WELL COMPLETION

FILL IN THIS FORM COMPLETELY

COUNTY NUMBER

DATE RECEIVED (WRA USE ONLY) 10/19/78 DEPTH OF WELL 140 PERMIT NO. FROM "PERMIT TO DRILL WELL" 40-12-1400

DATE WELL COMPLETED 10/19/78 (TO NEAREST FOOT) 22 26

8-13 15 20 DRILLERS IDENTIFICATION NO. 40

OWNER Wilson, Edwin LAST NAME FIRST NAME ASHTON, MD.

STREET OR RFD Box 32 POST OFFICE

WELL LOG

STATE THE KIND OF FORMATIONS PENETRATED, THEIR COLOR, DEPTH, THICKNESS AND IF WATER BEARING

DESCRIPTION (USE ADDITIONAL SHEETS IF NECESSARY)	FEET		CHECK IF WATER BEARING
	FROM	TO	
TOP SOIL	0	2	
SHALE	2	10	
SANDSTONE	10	20	
MICA	20	35	
SANDSTONE	35	40	
MICA	40	105	
SANDSTONE	105	115	

GROUTING RECORD

WELL HAS BEEN GROUTED (CIRCLE APPROPRIATE BOX) YES NO

TYPE OF GROUTING MATERIAL (CIRCLE BOX) CEMENT BENTONITE CLAY

NO. OF BAGS 5 NO. OF POUNDS 500

GALLONS OF WATER 25

DEPTH OF GROUT SEAL (TO NEAREST FOOT) FROM 0 FT. TO 19 FT.

CASING RECORD

INSERT APPROPRIATE CODE BELOW

STEEL CONCRETE

PLASTIC OTHER

MAIN CASING TYPE ST NOMINAL DIAMETER TOP (MAIN) CASING (NEAREST INCH) 6 TOTAL DEPTH OF MAIN CASING (NEAREST FOOT) 21

OTHER CASING (IF USED)

DIAMETER (INCH) FROM TO

DEPTH (FEET) FROM TO

SCREEN RECORD

SCREEN TYPE OR OPEN HOLE

INSERT APPROPRIATE CODE BELOW

STEEL BRASS OR BRONZE OPEN HOLE

PLASTIC OTHER

C 2 (SEQ. NO.)

DEPTH (NEAREST WHOLE FOOT) FROM TO

1 AO FROM 17 TO 140

2

3

SLOT SIZE 1, 2, 3

DIAMETER OF SCREEN 56 (NEAREST INCH) FROM TO

GRAVEL PACK

IF WELL DRILLED WAS A FLOWING WELL CIRCLE BOX 68 F

WRA USE ONLY (NOT TO BE FILLED IN BY DRILLER)

T (E.R.O.S.) W Q

70 72 74 75 76 OTHER DATA AVAILABLE

C 3 (SEQ. NO.)

PUMPING TEST

HOURS PUMPED (TO NEAREST HOUR) 4

PUMPING RATE (GALLONS PER MINUTE TO NEAREST GALLON) 12

METHOD USED TO MEASURE PUMPING RATE Bucket

WATER LEVEL: (DISTANCE FROM LAND SURFACE) BEFORE PUMPING 25 (NEAREST FOOT) WHEN PUMPING 140 (NEAREST FOOT)

TYPE OF PUMP USED (CIRCLE APPROPRIATE BOX) (FOR PUMPING TEST)

AIR PISTON TURBINE

CENTRIFUGAL ROTARY OTHER (DESCRIBE BELOW)

JET SUBMERSIBLE

PUMP INSTALLED

TYPE OF PUMP (WRITE APPROPRIATE LETTER IN BOX - SEE ABOVE: A, C, J, P, R, S, T, O) 29

DRILLER WILL INSTALL PUMP (CIRCLE APPROPRIATE BOX) YES NO

CAPACITY: GALLONS PER MINUTE (TO NEAREST GALLON) 31 35

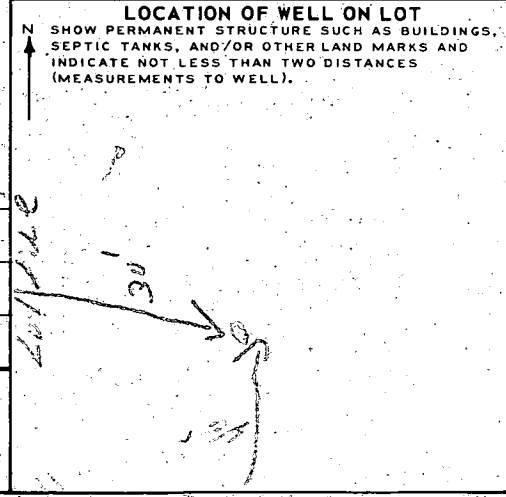
PUMP HORSE POWER 37 41

PUMP COLUMN LENGTH (NEAREST FOOT) 43 47

CASING HEIGHT (CIRCLE APPROPRIATE BOX AND ENTER CASING HEIGHT)

ABOVE } LAND SURFACE. (NEAREST FOOT) 2

BELOW } 49 51



CIRCLE APPROPRIATE BOXES

A WELL WAS ABANDONED AND SEALED WHEN THIS WELL WAS COMPLETED

ELECTRIC LOG OBTAINED

TEST WELL CONVERTED TO PRODUCTION WELL

I HEREBY CERTIFY THAT I HAVE COMPLIED WITH ALL CONDITIONS STATED ON THE ABOVE-CAPTIONED "PERMIT TO DRILL WELL" AND THAT INFORMATION CONTAINED IN THIS REPORT IS TRUE, ACCURATE, AND COMPLETE TO THE BEST OF MY KNOWLEDGE, INFORMATION AND BELIEF.

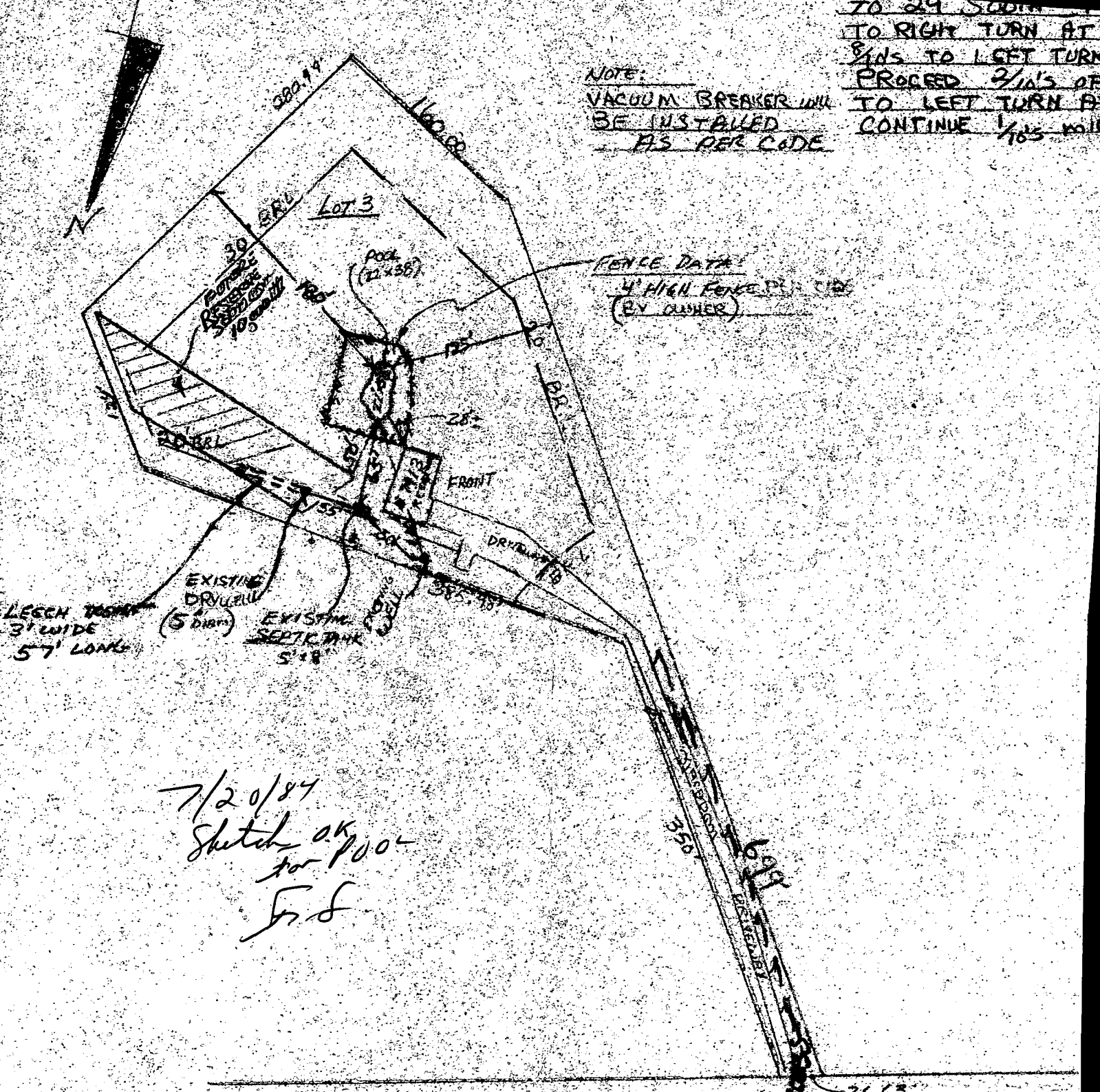
DRILLERS NAME George F. Eastwood

(PLEASE PRINT) George F. Eastwood

SIGNATURE George F. Eastwood

TO 29 SOUTH
 TO RIGHT TURN AT
 80'S TO LEFT TURN
 PROCEED 2/10'S OF
 TO LEFT TURN AT
 CONTINUE 1/10'S MILE

NOTE:
 VACUUM BREAKER WILL
 BE INSTALLED
 AS PER CODE



FENCE DATA:
 4' HIGH FENCE PER 10'
 (BY OWNER)

7/20/84
 Sketch OK
 for pool
 J.S.

FLAMEWOOD DRIVE

LOCATION OF HOUSE
 7419 FLAMEWOOD DRIVE
 LOT 3 BLOCK B
 FLAMEWOOD
 SECTION 3 AREA 1
 5th ELECTION DISTRICT
 HOWARD COUNTY, MARYLAND

2.501 ACRES

SITE PLAN

1" = 100'