

11/10/91 ASAP

Tax ID - 04-352009

PERMIT

SEWAGE DISPOSAL SYSTEM

DEPARTMENT OF HEALTH AND MENTAL HYGIENE

INDEXED

P 47462

A 42491

DISTRICT 4th

DATE 9/10/91

DATE SYSTEM APPROVED 9/10/91

INSPECTOR RH

HOWARD COUNTY HEALTH DEPARTMENT
BUREAU OF ENVIRONMENTAL HEALTH
461-9933

C. C. Cissel IS PERMITTED TO INSTALL X ALTER

ADDRESS 14079 Brighton Dam Road, Clarksville, Maryland 21029 PHONE 854-2006

SUBDIVISION Country Springs LOT 37 ROAD 15025 Scottswood Court

PROPERTY OWNER Michael Albrecht

ADDRESS _____

SEPTIC TANK CAPACITY 1000 GALLONS

NUMBER OF BEDROOMS 3

180 SQUARE FEET PER BEDROOM 540 sq. ft. for 3 bedrooms.

LINEAR FEET OF TRENCH REQUIRED 36 per bedrooms - 108 ft. for 3 bedrooms - 144 Ft. for 4 Bedrooms

TRENCHES - 180 sq. ft. per bedroom. Trench to be 2 feet wide. Inlet 3.5 feet below original grade. Bottom maximum depth 8.5 feet below original grade. Effective area begins at 3.5 feet below original grade. 5 feet of stone below distribution pipe.

LOCATION - Place the distribution box 85' from the 410.39' lot line and 175' from the 294.65' lot line. Run trenches on contour in both directions.

NOTE - No trench to exceed 100 feet in length. Provide 6" - 8" diameter cleanout and cap to grade or above on septic tank. OK 3/10/91 RH

PLANS APPROVED BY Mark Rifkin cm DATE 11/29/90

COVER NO WORK UNTIL INSPECTED AND APPROVED

NEITHER THE HOWARD COUNTY COUNCIL NOR THE HEALTH DEPARTMENT IS RESPONSIBLE FOR THE SUCCESSFUL OPERATION OF ANY SYSTEM

NOTE: CLEANOUT REQUIRED EVERY 70 FEET OF SEWER LINE AND/OR AT 90° SWEEPS IN LINES FROM HOUSE TO DRAIN FIELDS, 90° ELBOWS NOT ACCEPTABLE.

NOTE: ALL PARTS OF SEPTIC SYSTEMS (I.E. TANK, DISTRIBUTION BOX TRENCHES) TO BE 100 FEET FROM WELL (UNLESS OTHERWISE SPECIFICALLY AUTHORIZED)

NOTE: IF DEEP TRENCH(ES) ARE USED CALL FOR INSPECTION BEFORE AND AFTER PLACING GRAVEL IN TRENCH(ES)

NOTE: NO DRY WELL SHALL EXCEED 15 FOOT IN DIAMETER NO ABSORPTION TRENCH TO EXCEED 100 FEET IN LENGTH

NOTE: ALL PIPE FROM HOUSE TO SEPTIC TANK MUST BE CAST IRON OR SCHEDULE 35/40 PVC OR ABS

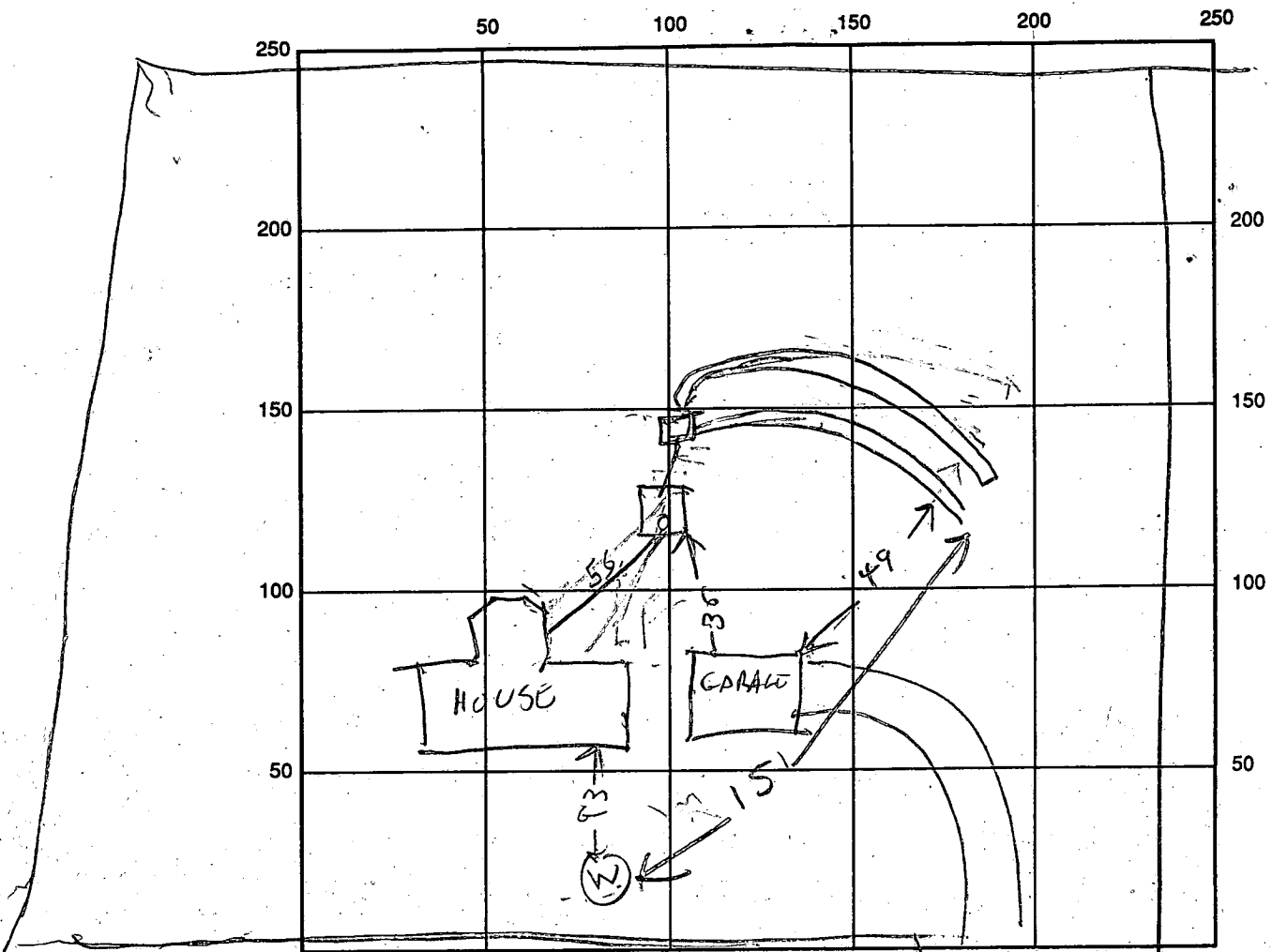
PERMIT VOID AFTER TWO YEARS

NOTE: INSTALL STAND PIPE ON SEPTIC TANK AND DRY WELL STAND PIPES MUST BE 6 INCHES IN DIAMETER CAST IRON. CONCRETE OR TERRA COTTA OR PVA OR ABS ACCEPTED. IF TOP OF SEPTIC TANK IS DEEPER THAN 3 FEET. MANHOLE TO GRADE REQUIRED.

NOTE: DISTRIBUTION BOXES MUST HAVE BAFFLES

***INSTALLER IS RESPONSIBLE FOR OBTAINING FINAL APPROVAL ON THIS PERMIT**

A 42491



INDICATE NORTH - NAME ADJOINING ROADWAY AS BASE LINE

SEPTIC TANK LEVEL 1300 CLEANOUTS OK
 DISTRIBUTION BOX LEVEL OK
 DRAIN FIELD/TITLE DEPTH 9 FT. TRENCH WIDTH 2 FT. INLET DEPTH 35 FT.
 EFFECTIVE GRAVEL DEPTH 5.5 FT. TOTAL LENGTH 78 FT. 72 FT. 150
 NUMBER OF TRENCHES 2 ONE SIDEWALL/BOTTOM AREA 825 SQ. FT.
 DRYWALL INSIDE DIAMETER _____ FT. EFFECTIVE DEPTH BELOW INLET _____ FT.
 ABSORBENT AREA _____ SQ. FT.

REMARKS: 9/10/9^{AM} COVER ALL WORK TOP TANK TO DEEP
GRADE. CUT GROUND OVER TANK
9/10/9^{PM} GROUND OVER TANK CUT RH

DATE SYSTEM APPROVED 9/10/9/ INSPECTOR Raymond Hodge

APPLICATION

PERCOLATION TESTING

A 42491

P _____

HOWARD COUNTY HEALTH DEPARTMENT
BUREAU OF ENVIRONMENTAL HEALTH
P.O. BOX 476 ELLICOTT CITY, MARYLAND 21043
TELEPHONE: 461-9933

DISTRICT 4

DATE July 5, 1988

TO: THE COUNTY HEALTH OFFICER
ELLICOTT CITY, MARYLAND

I HEREBY APPLY FOR THE NECESSARY TEST IN ORDER TO CONSTRUCT (OR RECONSTRUCT) A SEWAGE DISPOSAL SYSTEM.

PROPERTY OWNER ~~Frall Developers, Inc.~~ Michael Albrecht

ADDRESS P. O. Box 659 Mount Airy, MD 21771 PHONE 301-464-7057
(301) 795-1866

ENGINEER OR CONTACT PERSON
PROSPECTIVE BUYER VANMAR ASSOCIATES INC. / Mike VanSant

ADDRESS 310 South Main Street Mount Airy, MD 21771 PHONE (301) 829-2890

PROPERTY LOCATION:

SUBDIVISION RIPPEON PROPERTY LOT NO. ~~37~~ 37

ROAD AND DESCRIPTION ~~Bushy Park Road~~ 15025 Scottswood Court

TAX MAP 14 PARCEL # 12

SIZE OF LOT 3.3 ac ± TYPE BLDG. SFD
(SINGLE FAMILY DWELLING OR COMMERCIAL)

THE SYSTEM INSTALLED UNDER THIS APPLICATION IS ACCEPTABLE ONLY UNTIL PUBLIC FACILITIES BECOME AVAILABLE. I FULLY UNDERSTAND THE FEE CONNECTED WITH THE FILING OF THIS PERC TEST APPLICATION IS NON-REFUNDABLE UNDER ANY CIRCUMSTANCES. I ALSO AGREE TO COMPLY WITH ALL M.O.S.H.A. REQUIREMENTS IN TESTING THIS LOT.

Dianne Jennings Agent
(SIGNATURE OF APPLICANT)

APPROVED BY _____ FOR _____ DATE _____

REJECTED BY _____ FOR _____ DATE _____

HOLD PENDING FURTHER TESTS _____ DATE _____

REASONS FOR REJECTION OR HOLDING 11/14/88 Due SATISFACTORY - Hold for Plat. Sub

BLDG. PERMIT SIGNED
AND RETURNED 3/26/91
Serial # 36553 - SFD
3 Bedrooms

THIS IS NOT A PERMIT

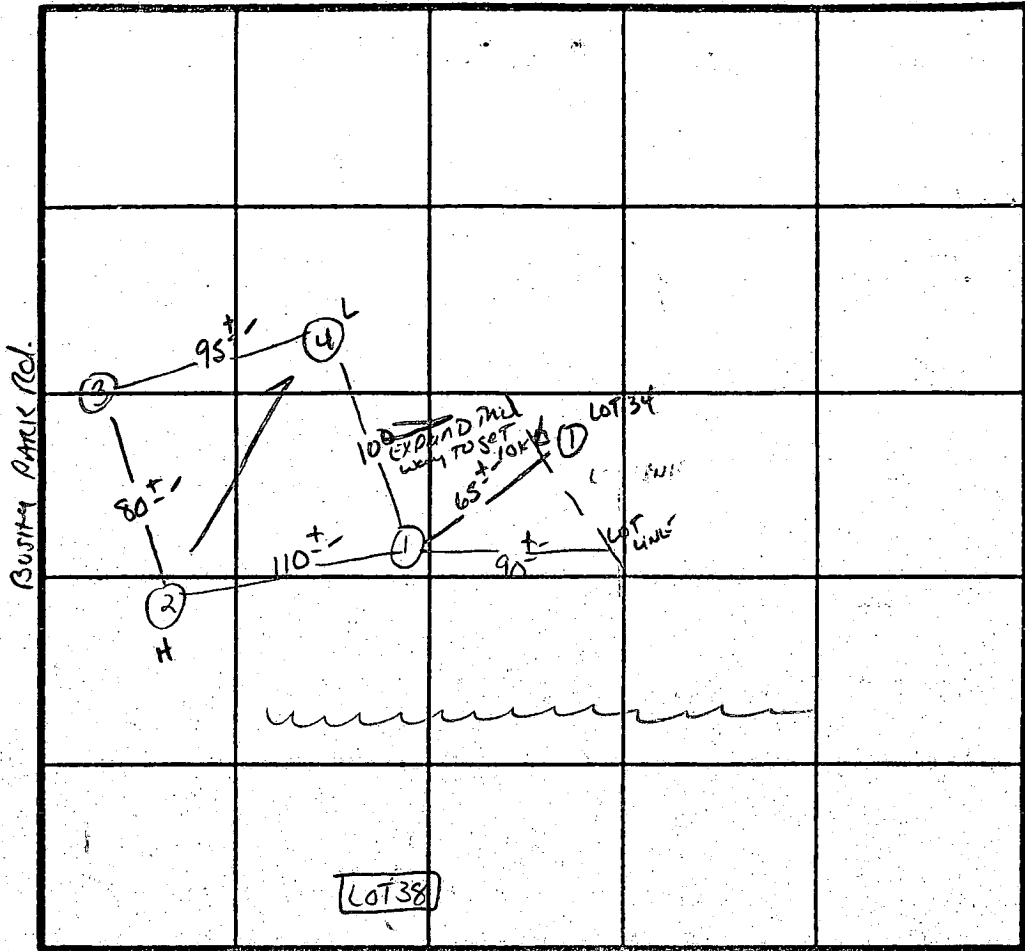
HD-216

① SOIL PROFILE

0
3" A1-3
Yellow Br Silty loam (Clayey) <10% Frag

2.5'
3 Yellow Br w/ Pine casts 10-15% Fr Agp

13'



INDICATE NORTH - NAME ADJOINING ROADWAY AS BASE LINE.

DATE	TEST NO.	DEPTH	PRE WET		TEST - 1' DROP		TIME
			START	STOP	START	STOP	
11/10/88	1S 1V	3'- 13'	10:46 AS profiled	10:47	10:47	10:49	2 MIN
	2S 2M	3'- 8.5'	10:51 10:51	10:52 10:52	10:52 10:52	10:54 10:54	2 MIN 2 MIN
	2V	13'	Similar to Profile		Clayey to 2.5'		
	3S 3V	3.5'- 12.5'	10:55 Similar to Profile	10:56	10:56	10:58	2 MIN
	4S 4V	30'- 12.5'	10:58 Similar to #3	10:59	10:59	11:01	2 MIN

REMARKS Holes NOT PER PLAT

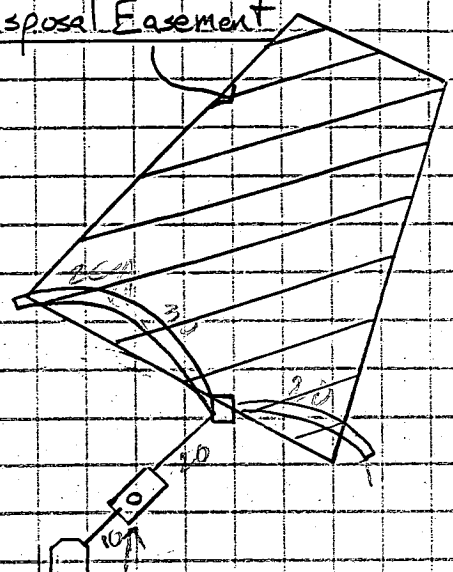
TYPE OF SOIL Chester loam

TESTED BY S. Abel

ALSO PRESENT Phil Andrews, R. C. Cappel, Ron Carren

Sewage Disposal Easement

Exist. elev. at trench 582.0
Exist. elev. at dist. box 582.0
Inv. elev. (into) dist. box 577.4
Inv. elev. (into) trench 576.9
Inv. elev. (out of) specific tank 577.9
Inv. elev. (into) specific tank 578.2
Exist. elev. at specific tank 583.0
Inv. elev. (out of) house 578.5



F.F. elev. 589.0
B.F. elev. 579.5

Well
Elevation \oplus
591.0

BRL

Lot line

BIDs. permit # 36553
Lot 37 Country Springs
15025 Scottswood Ct.

2/26/91
Plans Revised w/phone
Revised plans OK

Plans Prepared By
Michael Albert
3504 Meyer Dr.
Browns
464 703

3BR - trench to be 105 ft long
Scale 1" = 50 FT

Scottswood Ct.

Driveway

B 1 3763 SEQUENCE NO. (DP USE ONLY)
1 2 3 4 5 6
(THIS NUMBER IS TO BE PUNCHED IN COLS. 3-6 ON ALL CARDS)

STATE OF MARYLAND
APPLICATION FOR PERMIT TO DRILL WELL
please print or type

STATE PERMIT NUMBER
70 71 72 73 74 75 76 77 78 79
HO-88-1624
fill in this form completely

Date Received (APA) 071190
OWNER INFORMATION
ALBRECHT C. MICHAEL
3504 MOYLAN DR.
Bowie MD 20715

B 3 LOCATION OF WELL
1 2
HOWARD
8 COUNTY
COUNTRY SPRINGS
23 SUBDIVISION
SECTION 44 46 LOT 37 48 50
Glenwood
52 NEAREST TOWN
MILES FROM TOWN (enter 0 if in town) 2 MI
73 76 77 78

DRILLER INFORMATION
Joseph R. Mayne 238
Driller's Name License No. 80
Joseph R. Mayne Well Drilling
5512 Ridge Rd. Mt. Airy, Md. 21771
Address
Joseph R. Mayne 7/9/90
Signature Date

B 4
1 2 3 4
DIRECTION OF WELL FROM TOWN (CIRCLE BOX)
NORTH NE EAST
WEST SOUTH
TOWN
8 8-9 8-9 8
8 8-9 8-9 8
8 8-9 8-9 8
8 8-9 8-9 8
NEAR WHAT ROAD
Scottwood Court
11 30
ON WHICH SIDE OF ROAD (CIRCLE APPROPRIATE BOX)
NORTH N
WEST W EAST E
SOUTH S
34 614 37
DISTANCE FROM ROAD
ENTER FT OR MI FT
38 39

B 2 WELL INFORMATION
1 2
APPROX. PUMPING RATE (GAL. PER MIN.) 5
8 12
AVERAGE DAILY QUANTITY NEEDED (GAL. PER DAY) 500
14 20

USE FOR WATER (CIRCLE APPROPRIATE BOX)
HOME (SINGLE OR DOUBLE HOUSEHOLD UNIT ONLY)
FARMING (LIVESTOCK WATERING & AGRICULTURAL IRRIGATION)
INDUSTRIAL, COMMERCIAL, STATE AND FEDERAL GOV. OTHER (REQUIRES APPROPRIATION PERMIT)
PUBLIC OR PRIVATE WATER COMPANY (REQUIRES APPROPRIATION PERMIT AND STATE HEALTH DEPARTMENT APPROVAL)
TEST, OBSERVATION, MONITORING (MAY REQUIRE APPROPRIATION PERMIT)

NOT TO BE FILLED IN BY DRILLER HEALTH DEPARTMENT APPROVAL
Howard A42489
COUNTY NAME COUNTY NO.
STATE SIGNATURE INSERT S
DATE ISSUED 101290 Made E. Kilbin 4/12/91
43 48 CO SIGNATURE EXP. DATE
NORTH GRID 540000 EAST GRID 0790000
50 55 57 63

APPROXIMATE DEPTH OF WELL 280 FEET
24 28

APPROXIMATE DIAMETER OF WELL 6 INCH
NEAREST INCH

METHOD OF DRILLING (circle one)
BORED (or Augered) JETTED Jetted & DRIVEN
AIR-ROTARY AIR-PERCussion ROTARY (Hydraulic Rotary)
CABLE REVerse-ROTary Drive-POINT
other

SHOW MAJOR FEATURES OF BOX & LOCATE WELL WITH AN X
SOURCES OF DRILLING WATER
1. WELL
2.
3.
WRITE THE BOX NUMBER FROM THE MAP HERE
E 790
N 540
10-24-90 9:30 MR
85' CASING 10/24/90
BAGS
3 1/2' CASING AG
50' OPEN
GROUT PARTIALLY
VTAGOR OBS'D

REPLACEMENT OR DEEPEMED WELLS (CIRCLE APPROPRIATE BOX)
THIS WELL WILL NOT REPLACE AN EXISTING WELL
Y THIS WELL WILL REPLACE A WELL THAT WILL BE ABANDONED AND SEALED
S THIS WELL WILL REPLACE A WELL THAT WILL BE USED AS A STANDBY
D THIS WELL WILL DEEPEM AN EXISTING WELL
PERMIT NUMBER OF WELL TO BE REPLACED OR DEEPEMED (IF AVAILABLE) 41 52

DRAW A SKETCH BELOW SHOWING LOCATION OF WELL IN RELATION TO NEARBY TOWNS AND ROADS AND GIVE DISTANCE FROM WELL TO NEAREST JUNCTION
N
Busby Park Road
Scottwood Court
Glenwood
TOWN
HEALTH DEPARTMENT
HOWARD
35
x ← well
200
200
200
Abner

Not to be filled in by driller (OEP USE ONLY)
APPROX. PERMIT NUMBER 54 GAP 63
FORCE MR WRITE INITIALS IN BOX PERMIT No. HO-88-1624
67 68 70 71 72 73 74 75 76 77 78 79

SPECIAL CONDITIONS

C-1 0881

SEQUENCE NO. (DENV USE ONLY)

STATE OF MARYLAND WELL COMPLETION REPORT

THIS REPORT MUST BE SUBMITTED WITHIN 45 DAYS AFTER WELL IS COMPLETED.

(THIS NUMBER IS TO BE PUNCHED IN COLS. 3-6 ON ALL CARDS)

COUNTY NUMBER A 42489

ST/CO USE ONLY. DATE Received

DATE WELL COMPLETED

Depth of Well

PERMIT NO. FROM "PERMIT TO DRILL WELL"

Grid for date received

10 24 90

245

41-88-1624

OWNER: Albrock last name, Michael first name, STREET OR RFD: Scattergood, TOWN: Glenwood, SUBDIVISION: COUNTRY, SECTION: 2, LOT: 2

WELL LOG Not required for driven wells. STATE THE KIND OF FORMATIONS PENETRATED, THEIR COLOR, DEPTH, THICKNESS AND IF WATER BEARING

Table with columns: DESCRIPTION (Use additional sheets if needed), FEET (FROM, TO), Check if water bearing. Includes handwritten entries: SAND Stone, Gormy Rock, 78, 245.

GROUTING RECORD. WELL HAS BEEN GROUTED (YES/NO). TYPE OF GROUTING MATERIAL: CEMENT (CM), BENTONITE CLAY (BC). NO. OF BAGS: 21, NO. OF POUNDS: 1974. GALLONS OF WATER: 126. DEPTH OF GROUT SEAL: from 0 to 50.7 ft.

CASING RECORD. casing types insert appropriate code below. Codes: ST (STEEL), CO (CONCRETE), PL (PLASTIC), OT (OTHER).

MAIN CASING TYPE. Nominal diameter top (main) casing (nearest inch): 4. Total depth of main casing (nearest foot): 85.7.

OTHER CASING (if used) diameter inch, depth (feet) from to.

SCREEN RECORD. screen type or open hole. insert appropriate code below. Codes: ST (STEEL), BR (BRASS), HO (OPEN HOLE), PL (PLASTIC), OT (OTHER).

Table for screen depth. Columns: E A C H S C R E E N, DEPTH (nearest ft.). Includes handwritten entry: HO 24.5.

CIRCLE APPROPRIATE LETTER. A A WELL WAS ABANDONED AND SEALED WHEN THIS WELL WAS COMPLETED. E ELECTRIC LOG OBTAINED. P TEST WELL CONVERTED TO PRODUCTION WELL.

I HEREBY CERTIFY THAT THIS WELL HAS BEEN CONSTRUCTED IN ACCORDANCE WITH COMAR 26.04.04 "WELL CONSTRUCTION" AND IN CONFORMANCE WITH ALL CONDITIONS STATED IN THE ABOVE CAPTIONED PERMIT, AND THAT THE INFORMATION PRESENTED HEREIN IS ACCURATE AND COMPLETE TO THE BEST OF MY KNOWLEDGE.

DRILLERS IDENT. NO. 928. DRILLERS SIGNATURE (MUST MATCH SIGNATURE ON APPLICATION). SITE SUPERVISOR (sign of driller or journeyman responsible for sitework if different from permittee).

GRAVEL PACK IF WELL DRILLED WAS FLOWING WELL INSERT F IN BOX 68.

OEP USE ONLY (NOT TO BE FILLED IN BY DRILLER). TELESCOPE CASING, LOG INDICATOR, OTHER DATA.

PUMPING TEST. HOURS PUMPED (nearest hour): 3. PUMPING RATE (gal. per min. to nearest gal.): 405. METHOD USED TO MEASURE PUMPING RATE: Bucket. WATER LEVEL (distance from land surface) BEFORE PUMPING: 45, WHEN PUMPING: 145. TYPE OF PUMP USED (for test): S (submersible).

PUMP INSTALLED. DRILLER WILL INSTALL PUMP YES (NO). IF DRILLER INSTALLS PUMP, THIS SECTION MUST BE COMPLETED FOR ALL WELLS EXCEPT HOME USE. TYPE OF PUMP INSTALLED: PLACE (A,C,J,P,R,S,T,O) IN BOX - SEE ABOVE. CAPACITY: GALLONS PER MINUTE (to nearest gallon), PUMP HORSE POWER, PUMP COLUMN LENGTH (nearest ft.), CASING HEIGHT (circle appropriate box and enter casing height): + above, - below. LAND SURFACE (nearest foot): 3.

LOCATION OF WELL ON LOT. SHOW PERMANENT STRUCTURE SUCH AS BUILDING, SEPTIC TANKS, AND/OR LANDMARKS AND INDICATE NOT LESS THAN TWO DISTANCES (MEASUREMENTS TO WELL).

COUNTY