

5/26/87 9:30 AM

Tax ID-03-291359

Approved  
EMH  
5/28/87

# PERMIT

P 39395  
A REPAIR

SEWAGE DISPOSAL SYSTEM

MARYLAND STATE DEPARTMENT OF HEALTH\*

DISTRICT \_\_\_\_\_

**HOWARD COUNTY**  
BUREAU OF ENVIRONMENTAL HEALTH  
461-9933

INDEXED  
INDEXED

DATE 5/24/87

DATE SYSTEM APPROVED \_\_\_\_\_

INSPECTOR \_\_\_\_\_

Jenkins Brothers IS PERMITTED TO INSTALL \_\_\_\_\_ ALTER

ADDRESS Route 144, Ellicott City, MD 21043 PHONE 465-6646

SUBDIVISION \_\_\_\_\_ ROAD 11219 Albeth Road LOT 13 P.133

PROPERTY OWNER Michaels  
11219 Albeth Road

ADDRESS \_\_\_\_\_

IF GARBAGE GRINDER IS USED INCREASE SEPTIC TANK CAPACITY BY 50% AND ABSORPTION AREA BY 22%.

GARBAGE GRINDER? YES \_\_\_\_\_ NO

SEPTIC TANK CAPACITY 1000 GALLONS NUMBER OF BEDROOMS 3

REPAIR - CALL FOR INSPECTION WHEN GROUND IS OPENED UP SO SANITARIAN CAN RECOMMEND REPAIR.

20 4/BA Required Inlet 5" Bottom 11" 60LF TRENCH OF EXISTING DRYWELL  
MW 1000 ST INSTALLED OLD METAL TANK COLLAPSED.

PLANS APPROVED BY C. Williams DATE 5/26/87

COVER NO WORK UNTIL INSPECTED AND APPROVED.

NEITHER THE HOWARD COUNTY COUNCIL NOR THE HEALTH DEPARTMENT IS RESPONSIBLE FOR THE SUCCESSFUL OPERATION OF ANY SYSTEM.

NOTE: CLEANOUT REQUIRED EVERY 70 FEET OF SEWER LINE AND/OR AT 90° SWEEPS IN LINES FROM HOUSE TO DRAIN FIELDS.

NOTE: ALL PARTS OF SEPTIC SYSTEMS (I.E., TANK, DISTRIBUTION BOX, TRENCHES) TO BE 100 FEET FROM WELL. (UNLESS OTHERWISE SPECIFICALLY AUTHORIZED)

NOTE: IF DEEP TRENCHES ARE USED CALL FOR INSPECTION BEFORE AND AFTER PLACING GRAVEL IN TRENCHES.

NOTE: NO DRY WELL SHALL EXCEED 15 FOOT IN DIAMETER. NO ABSORPTION TRENCH TO EXCEED 100 FEET IN LENGTH.

NOTE: ALL PIPE FROM HOUSE TO SEPTIC TANK MUST BE CAST IRON OR SCHEDULE 40 PVC OR ABS.

PERMIT VOID AFTER TWO YEARS.

NOTE: INSTALL STAND PIPE ON SEPTIC TANK AND DRY WELL. STAND PIPES MUST BE 6 INCHES IN DIAMETER. CAST IRON, CONCRETE OR TERRA COTTA OR PVC OR ABS ACCEPTED. IF TOP OF SEPTIC TANK IS DEEPER THAN 3 FEET, MANHOLE TO GRADE REQUIRED.

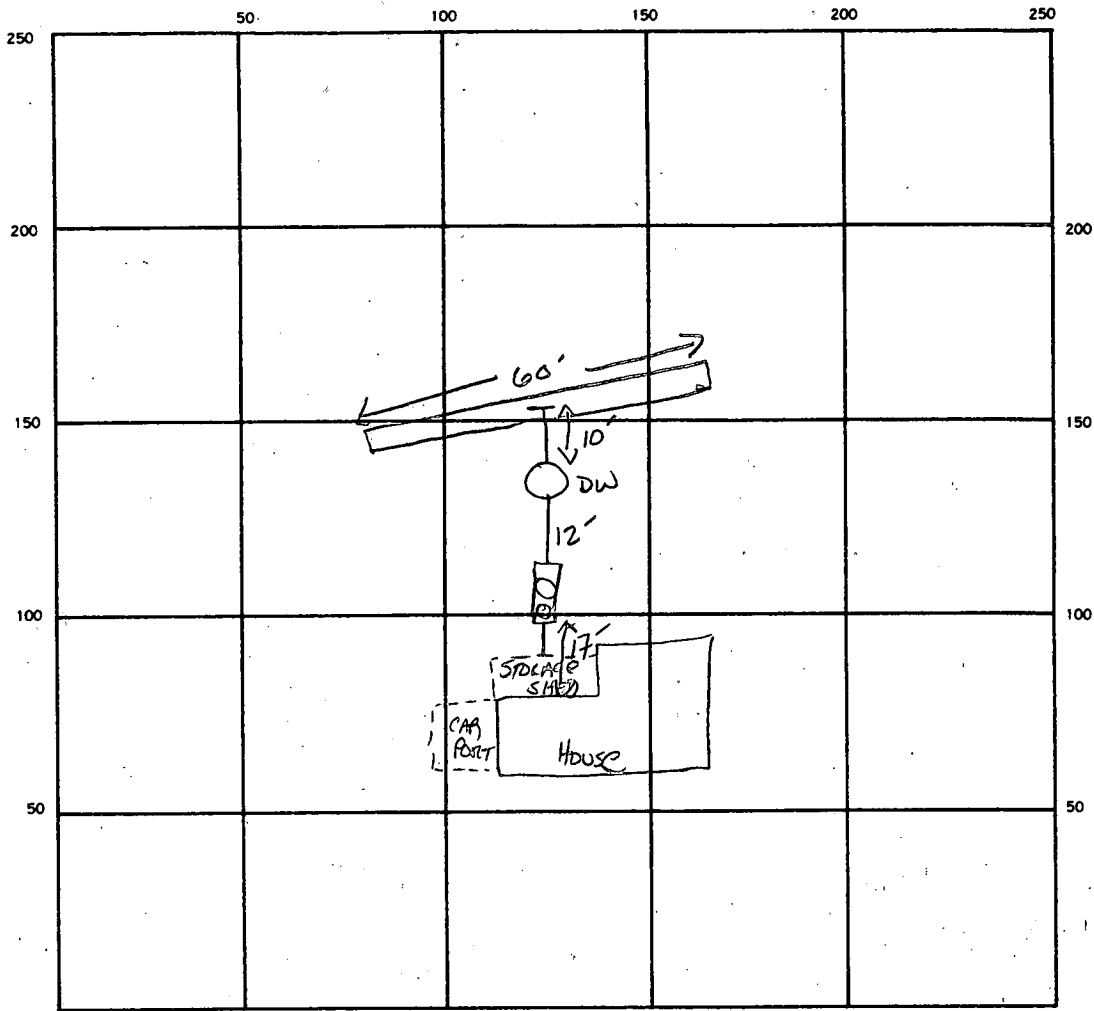
NOTE: DISTRIBUTION BOXES MUST HAVE BAFFLES.

**\*INSTALLER IS RESPONSIBLE FOR OBTAINING FINAL APPROVAL ON THIS PERMIT**

\*CALL 461-9933 FOR INSPECTION OF SEPTIC SYSTEMS.

EH - 2-1186

39395



INDICATE NORTH. — NAME ADJOINING ROADWAY AS BASE LINE.

Albena Rd.

SEPTIC TANK. LEVEL NEW 1000 GAL CLEANOUTS MANHOLE + STAND PIPE

DISTRIBUTION BOX. LEVEL N/A

DRAIN FIELD/TILE FIELD. DEPTH 11 FT. TRENCH WIDTH 2 FT. INLET DEPTH 5 FT.

EFFECTIVE GRAVEL DEPTH 6 FT. TOTAL LENGTH 60 FT.

NUMBER OF TRENCHES 1 ONE SIDEWALL/BOTTOM AREA 360 SQ. FT.

DRYWELL INSIDE DIAMETER EXISTING DRILLED D.W. 5'-6" DIAMETER EFFECTIVE DEPTH BELOW INLET \_\_\_\_\_ FT.  
~ 22' DEEP

ABSORBENT AREA 360 SQ. FT.

REMARKS \_\_\_\_\_

\_\_\_\_\_  
 \_\_\_\_\_  
 \_\_\_\_\_  
 \_\_\_\_\_

DATE SYSTEM APPROVED 5-28-87 INSPECTOR Sid Abel