

clb 11/13/95
am: later

PERMIT

03-317323

SEWAGE DISPOSAL SYSTEM DEPARTMENT OF HEALTH AND MENTAL HYGIENE

P 50840

A 38133

DISTRICT 3rd

DATE 8/23/95

HOWARD COUNTY HEALTH DEPARTMENT
BUREAU OF ENVIRONMENTAL HEALTH
464-9933 313-2640

INDEXED

DATE SYSTEM APPROVED 11/13/95

INSPECTOR DKS

*Time Expired for F.C.O.P. Compliance

South Carroll Backhoe, Inc. IS PERMITTED TO INSTALL ALTER

ADDRESS 4410 Salem Bottom Road, Westminster, MD 21157 PHONE 875-4197

SUBDIVISION Meadowood LOT 63 ROAD 1320 Crows Foot Road

PROPERTY OWNER James E. and Penny L. Vespa

ADDRESS

SEPTIC TANK CAPACITY 1250 GALLONS

NUMBER OF BEDROOMS 5

240 SQUARE FEET PER BEDROOM

LINEAR FEET OF TRENCH REQUIRED 240 300

11/13/95 changed per contractor's info requested by owner to over-size system. DKS

TRENCHES - Trench to be 2 feet wide. Inlet 3.5 feet below original grade. Bottom maximum depth 7.5 feet below original grade. Effective area begins at 3.5 feet below original grade. 4 feet of stone below distribution pipe.

LOCATION - Beginning from the intersection of the 327.69 and 24.49 lot line, place distribution box 205 feet up the 327.69 lot line and 120 feet off that same lot line. Run trenches on contour toward the east side of the lot for the first system then in both directions for all other repairs.

NOTES - No trench to exceed 100 feet in length. Provide 6" - 8" diameter cleanout and cap to grade or above on septic tank. OK 11/31/95 DKS

PLANS APPROVED BY Amy McMillen DATE 7/25/95

COVER NO WORK UNTIL INSPECTED AND APPROVED

NEITHER THE HOWARD COUNTY COUNCIL NOR THE HEALTH DEPARTMENT IS RESPONSIBLE FOR THE SUCCESSFUL OPERATION OF ANY SYSTEM

NOTE: CLEANOUT REQUIRED EVERY 70 FEET OF SEWER LINE AND/OR AT 90° SWEEPS IN LINES FROM HOUSE TO DRAIN FIELDS. 90° ELBOWS NOT ACCEPTABLE.

NOTE: ALL PARTS OF SEPTIC SYSTEMS (I.E. TANK, DISTRIBUTION BOX TRENCHES) TO BE 100 FEET FROM WELL (UNLESS OTHERWISE SPECIFICALLY AUTHORIZED)

NOTE: IF DEEP TRENCH(ES) ARE USED CALL FOR INSPECTION BEFORE AND AFTER PLACING GRAVEL IN TRENCH(ES)

NOTE: NO DRY WELL SHALL EXCEED 15 FOOT IN DIAMETER NO ABSORPTION TRENCH TO EXCEED 100 FEET IN LENGTH

NOTE: ALL PIPE FROM HOUSE TO SEPTIC TANK MUST BE CAST IRON OR SCHEDULE 35/40 PVC OR ABS

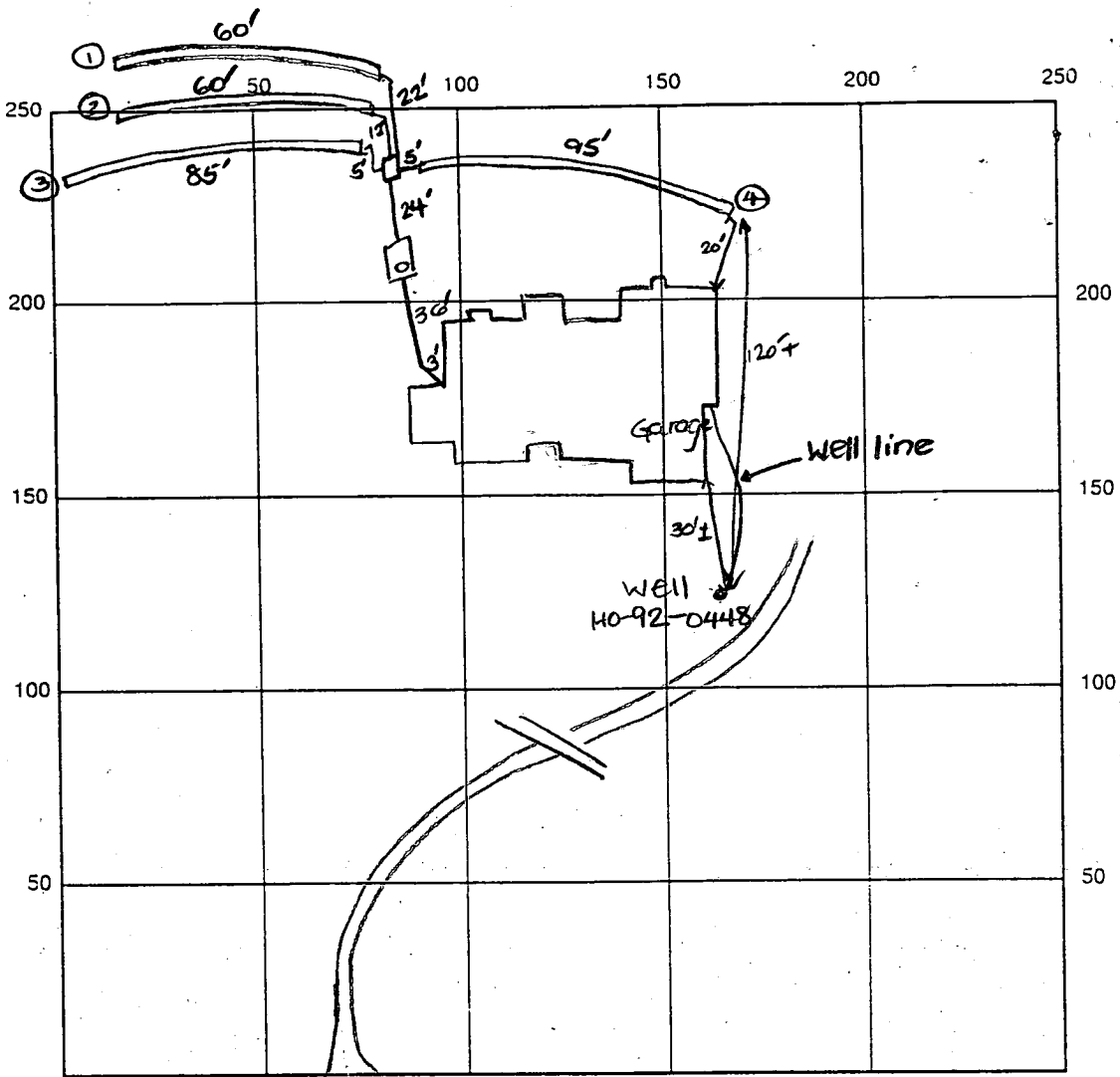
PERMIT VOID AFTER TWO YEARS

NOTE: INSTALL STAND PIPE ON SEPTIC TANK AND DRY WELL STAND PIPES MUST BE 6 INCHES IN DIAMETER CAST IRON. CONCRETE OR TERRA COTTA OF PVA OR ABS ACCEPTED. IF TOP OF SEPTIC TANK IS DEEPER THAN 3 FEET. MANHOLE TO GRADE REQUIRED.

NOTE: DISTRIBUTION BOXES MUST HAVE BAFFLES

***INSTALLER IS RESPONSIBLE FOR OBTAINING FINAL APPROVAL ON THIS PERMIT**

A 38133



INDICATE NORTH - NAME ADJOINING ROADWAY AS BASE LINE
Crows Foot Road

SEPTIC TANK LEVEL OK- CLEANOUTS one on s.t.

DISTRIBUTION BOX LEVEL OK- baffle in

DRAIN FIELD/TITLE DEPTH 7.5 FT. TRENCH WIDTH 2 FT. INLET DEPTH 3.5 FT.

EFFECTIVE GRAVEL DEPTH 4 FT. TOTAL LENGTH ①60' ③85' → 300'
②60' ④95'

NUMBER OF TRENCHES 4 ONE SIDEWALL AREA 1200 SQ. FT.

DRYWALL INSIDE DIAMETER — FT. EFFECTIVE DEPTH BELOW INLET — FT.

ABSORBENT AREA 1200 SQ. FT.

REMARKS: 11/13/95 A.M. OK to continue work. DKS

11/13/95 FINAL - OK to cover all work. DKS

11/13/95 Well line and p.a. OK to cover - > 36" below grade.

DATE SYSTEM APPROVED 11/13/95 INSPECTOR Donald Sol DKS

APPLICATION

PERCOLATION TESTING

A 3A/33
P _____

HOWARD COUNTY HEALTH DEPARTMENT
BUREAU OF ENVIRONMENTAL HEALTH
P.O. BOX 476 ELLICOTT CITY, MARYLAND 21043
TELEPHONE: 461-9933

DISTRICT _____
DATE 1/28/86

TO: THE COUNTY HEALTH OFFICER
ELLICOTT CITY, MARYLAND

I, HEREBY, APPLY FOR THE NECESSARY TEST IN ORDER TO CONSTRUCT (OR RECONSTRUCT) A SEWAGE DISPOSAL SYSTEM.

PROPERTY OWNER JAMES E and Penny L. VESPA
Springhill Associates c/o D.S. Thaler & Associates, Inc.

ADDRESS 11 Warren Road, Baltimore, MD 21208 PHONE (301) 484-4100

PROSPECTIVE BUYER N/A

ADDRESS _____ PHONE _____

PROPERTY LOCATION:

SUBDIVISION Meadowood LOT NO. 26 63

ROAD AND DESCRIPTION Henryton Road - approximately 4000' north of Tunnel Road
Howard County, Maryland (1320 Crows Foot Road)

TAX MAP 10 PARCEL # 139

SIZE OF LOT 3+ Acres TYPE BLDG. Single Family
(SINGLE FAMILY DWELLING OR COMMERCIAL)

THE SYSTEM INSTALLED UNDER THIS APPLICATION IS ACCEPTABLE ONLY UNTIL PUBLIC FACILITIES BECOME AVAILABLE. I FULLY UNDERSTAND THE FEE CONNECTED WITH THE FILING OF THIS PERC TEST APPLICATION IS NON-REFUNDABLE UNDER ANY CIRCUMSTANCES. I ALSO AGREE TO COMPLY WITH ALL M.O.S.H.A. REQUIREMENTS IN TESTING THIS LOT.

Dike Sedgwick
(SIGNATURE OF APPLICANT)

APPROVED BY _____ FOR _____ DATE _____

REJECTED BY _____ FOR _____ DATE _____

HOLD PENDING FURTHER TESTS _____ DATE _____

REASONS FOR REJECTION OR HOLDING _____

BLDG. PERMIT SIGNED
AND RETURNED 7-25-85
Squad # 60920 - SFD - Y Ben

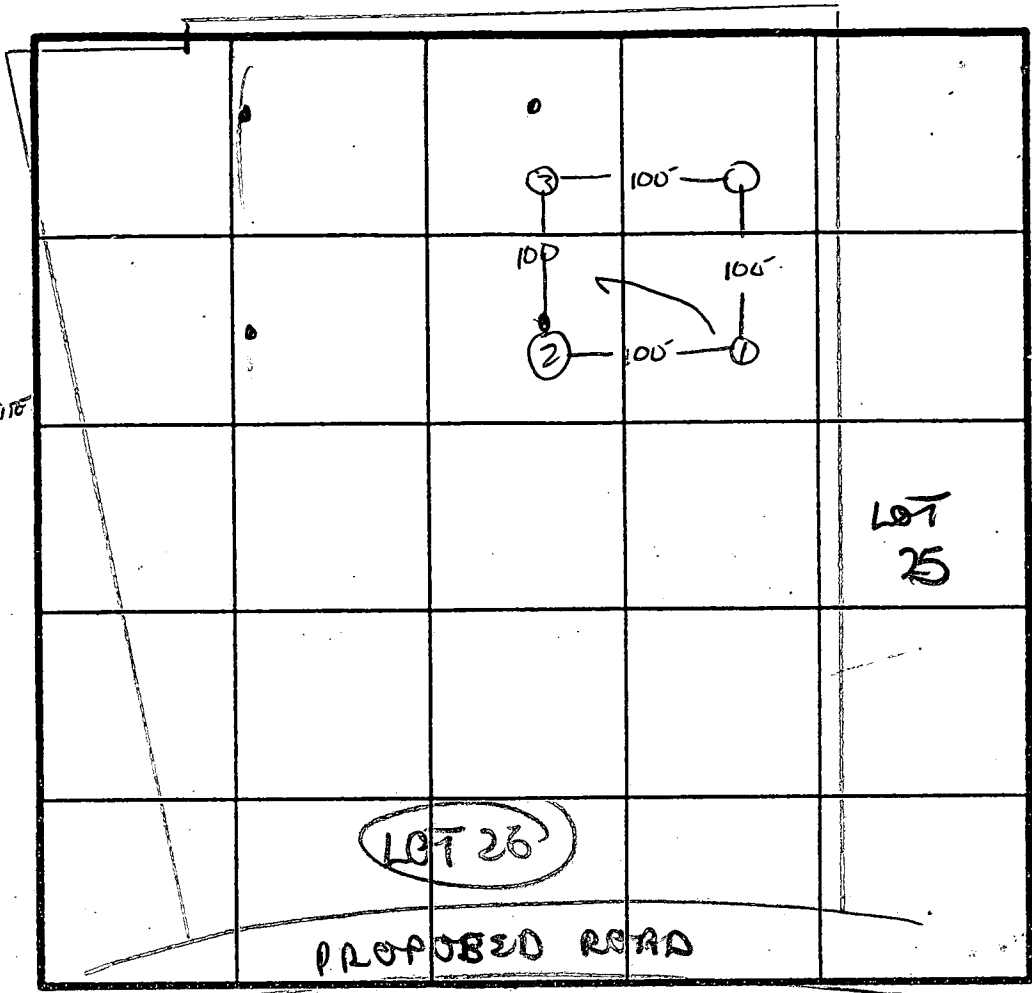
THIS IS NOT A PERMIT

26/63

SOIL PROFILE

0" A-3
Yellow Red
Silt loam
9-12% clay
<10% some
fragments quartzite

3.5" Yellow br
to yellow
red
silt loam
10-15%
fragments



x Perc
17 min
225 φ 1/8"
INLET 4
BOTTOM 6.0

INDICATE NORTH - NAME ADJOINING ROADWAY AS BASE LINE.

SEE ABOVE
NO MOTTLES
SOIL DAMP

DATE	TEST NO.	DEPTH	PRE-WET		TEST - 1" DROP		TIME
			START	STOP	START	STOP	
	1 S	3.5'	10:38	10:50	10:50	11:17	27 min
	1 M	7'	10:40	10:41	10:41	10:42	1 min
	1 V	12'	uniform soil below		3.5'		
	2 S	3.5'	10:49	11:01	11:01	11:22	21 min
	2 V	13'	uniform soil below		3.5'		
	3 S	3.5'	10:52	10:55	10:55	11:21	26 min
	3 V	13'	same as #1+2				
	4 S	5'	11:12	11:14	11:14	11:25	11 min
	4 V	13'	same as #1+2				
5/1/92	3 REDIG	14'	see profile				

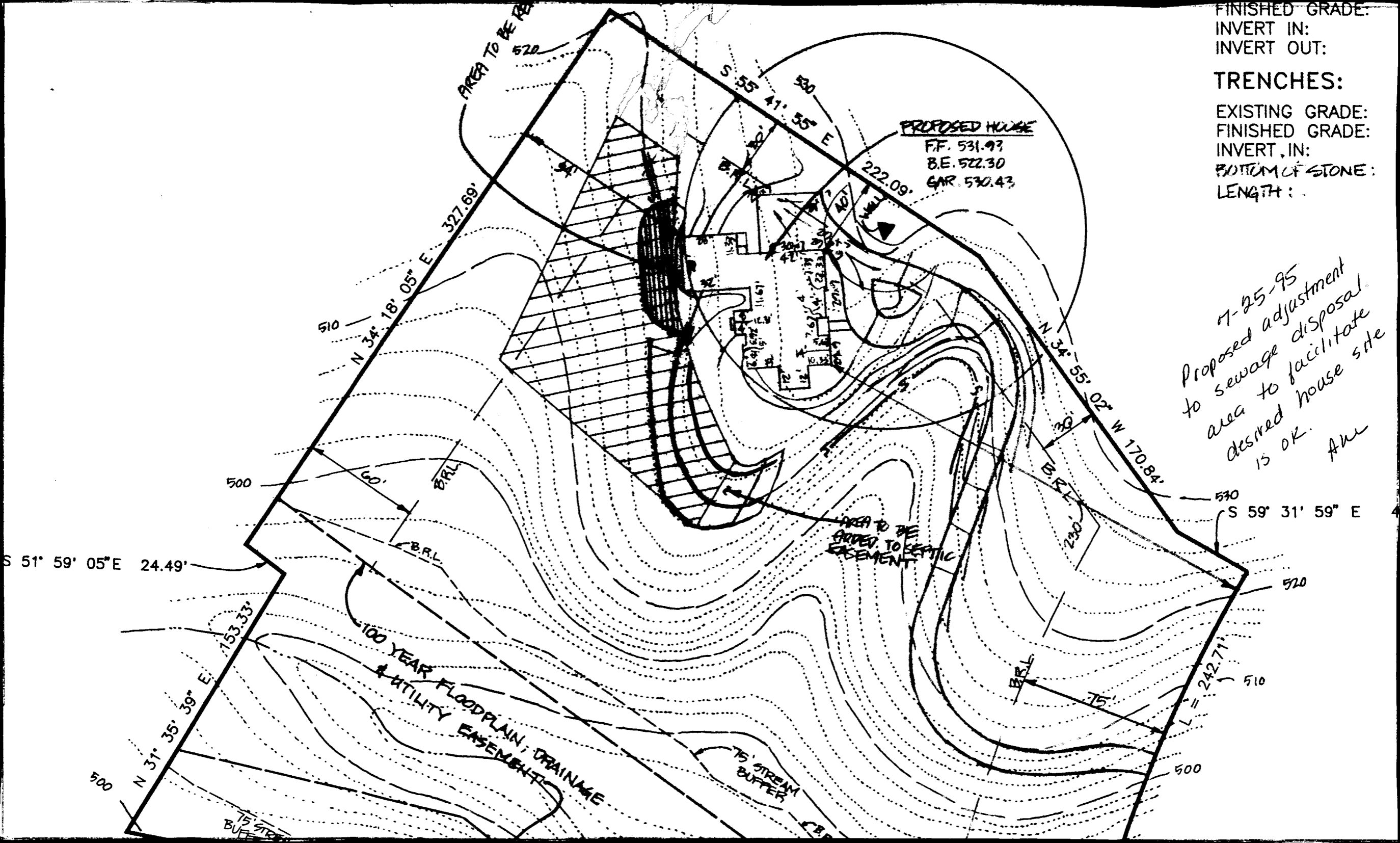
EH-12-1079

REMARKS holes diff than prev / shallow syst. only.

TYPE OF SOIL Chester ch/eg

TESTED BY S. Abel

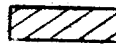
ALSO PRESENT Ron, Ed, Rocky



FINISHED GRADE:
 INVERT IN:
 INVERT OUT:
 TRENCHES:
 EXISTING GRADE:
 FINISHED GRADE:
 INVERT, IN:
 BOTTOM OF STONE:
 LENGTH:

7-25-95
 Proposed adjustment
 to sewage disposal
 area to facilitate
 desired house site
 is OK.
 AM

NOTES:

1. THE TOPOGRAPHY SHOWN HEREON WAS TAKEN FROM A PRELIMINARY PLAN PREPARED BY D.S. THALER & ASSOC. DATED MARCH, 1988.
2. BEARINGS AND DISTANCES SHOWN HEREON ARE FROM PLAT NO. 10209.
3. TOTAL AREA DISTURBED: 21,400^{sq}
4.  EX. PRIVATE SEWAGE EASEMENT PER PLAT #10209
5. GRAVITY SEWER SERVICE TO BASEMENT LEVEL IS AVAILABLE

SEPTIC SYSTEM DATA:

INVERT AT HOUSE: 519.30

SEPTIC TANK:

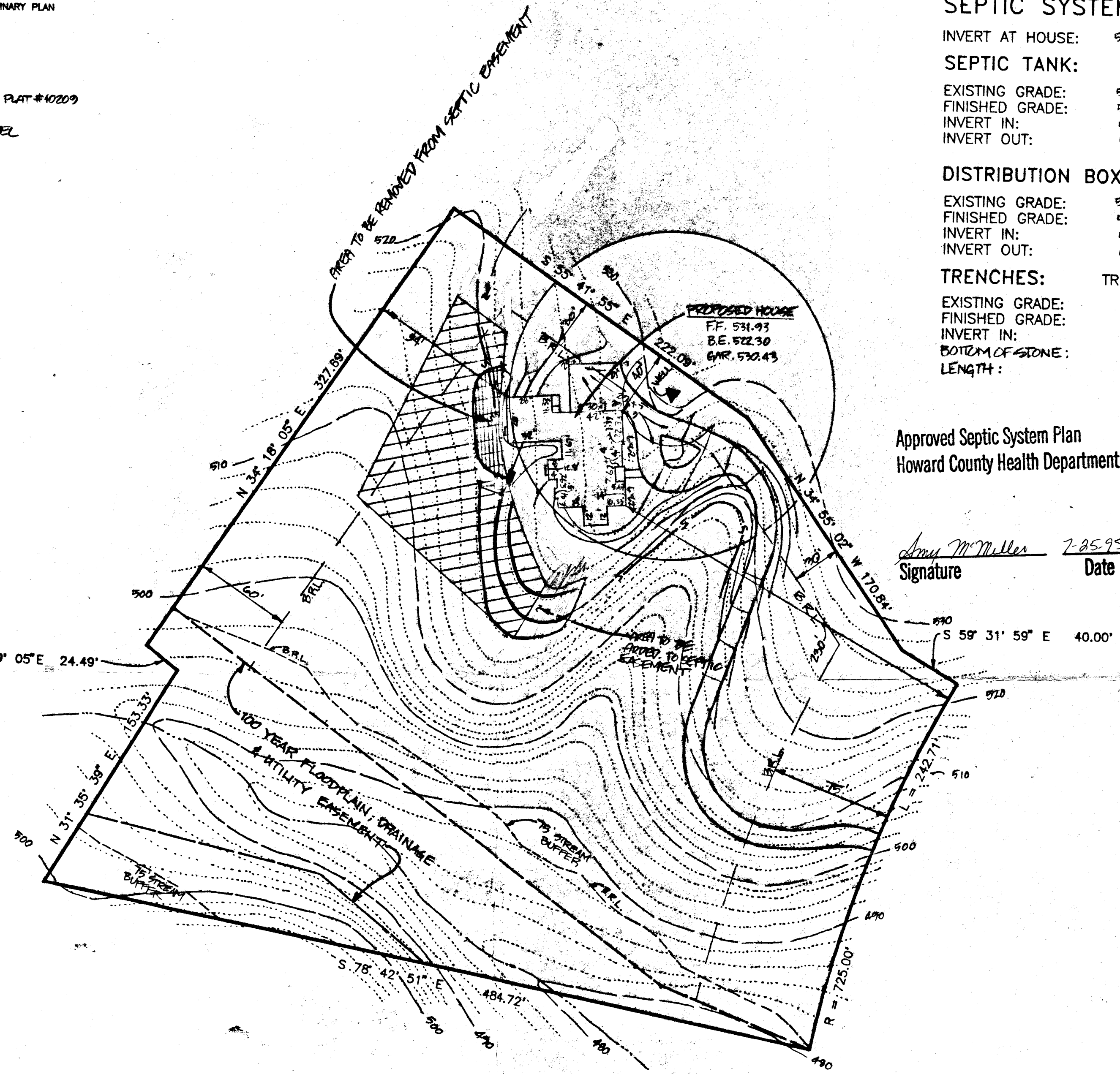
EXISTING GRADE: 522.0
 FINISHED GRADE: 521.5
 INVERT IN: 519.0
 INVERT OUT: 518.7

DISTRIBUTION BOX:

EXISTING GRADE: 520.0
 FINISHED GRADE: 520.0
 INVERT IN: 517.0
 INVERT OUT: 517.0

TRENCHES:

	TRENCH #1	TRENCH #2
EXISTING GRADE:	520.0	518.2
FINISHED GRADE:	520.0	518.2
INVERT IN:	516.0	514.2
BOTTOM OF STONE:	514.0	512.2
LENGTH:	75'	100'



SHANABERGER & LANE
 8726 TOWN AND COUNTRY BLVD.
 SUITE 104
 ELLICOTT CITY, MD. 21043
 (410)461-9563 FAX:461-9693

REVISED
 SITE PLAN
 LOT 83
 MEADOWOOD
 SECTION TWO, AREA THREE, LOTS 61 - 66
 SHEET 1 OF 3, PLAT # 10209
 ELECTION DISTRICT: THIRD
 COUNTY: HOWARD
 SCALE: 1"=50'
 DATE: JULY 12, 1995
 REV: 7/25/95

C1 **4552** SEQUENCE NO. (DENV USE ONLY)
 (THIS NUMBER IS TO BE PUNCHED IN COLS. 3-6 ON ALL CARDS)

STATE OF MARYLAND
WELL COMPLETION REPORT
 FILL IN THIS FORM COMPLETELY
 PLEASE PRINT OR TYPE

THIS REPORT MUST BE SUBMITTED WITHIN
 45 DAYS AFTER WELL IS COMPLETED.
 COUNTY NUMBER **AA 38133**

ST/CO USE ONLY
 DATE RECEIVED
 DATE WELL COMPLETED
070694

Depth of Well
180
 (TO NEAREST FOOT)

PERMIT NO.
 FROM "PERMIT TO DRILL WELL"
AA-92-0448

OWNER **SPRINGWELL ASSN.**
 last name first name TOWN **SIKESVILLE**
 STREET OR RFD **CRANES FRT**
 SUBDIVISION **Mapwood** SECTION LOT **63**

WELL LOG
 Not required for driven wells

STATE THE KIND OF FORMATIONS PENETRATED, THEIR COLOR, DEPTH, THICKNESS AND IF WATER BEARING

DESCRIPTION (Use additional sheets if needed)	FEET		Check if water bearing
	FROM	TO	
TOP soil	0	2	
red clay	2	5	
Sand Stone	5	12	
Mica	12	20	
clay	20	22	
Sand Stone	22	28	
Mica	28	43	
Sand Stone	43	44	✓
Mica	44	180	

GROUTING RECORD
 WELL HAS BEEN GROUTED (Circle appropriate box) **Y** **N**
 TYPE OF GROUTING MATERIAL
 CEMENT **CM** BENTONITE CLAY **BC**
 NO. OF BAGS **4** NO. OF POUNDS **16**
 GALLONS OF WATER **40**
 DEPTH OF GROUT SEAL (to nearest foot)
 from **0** ft. to **30** ft.

CASING RECORD
 casing types insert appropriate code below
ST **CO**
 STEEL CONCRETE
PL **OT**
 PLASTIC OTHER
 MAIN CASING TYPE Nominal diameter top (main) casing (nearest inch) Total depth of main casing (nearest foot)
ST **6** **36**

OTHER CASING (if used)
 diameter depth (feet)
 inch from to

SCREEN RECORD
 screen type or open hole insert appropriate code below
ST **BR** **HO**
 STEEL BRASS OPEN HOLE
PL **OT**
 PLASTIC OTHER

C2
 DEPTH (nearest ft.)
 E A C H S C R E E N
1 **40** **34** **180**
2
3
 SLOT SIZE 1 2 3
 DIAMETER OF SCREEN (NEAREST INCH)
 from to

CIRCLE APPROPRIATE LETTER
A A WELL WAS ABANDONED AND SEALED WHEN THIS WELL WAS COMPLETED
E ELECTRIC LOG OBTAINED
P TEST WELL CONVERTED TO PRODUCTION WELL

I HEREBY CERTIFY THAT THIS WELL HAS BEEN CONSTRUCTED IN ACCORDANCE WITH COMAR 26.04.04 "WELL CONSTRUCTION" AND IN CONFORMANCE WITH ALL CONDITIONS STATED IN THE ABOVE CAPTIONED PERMIT, AND THAT THE INFORMATION PRESENTED HEREIN IS ACCURATE AND COMPLETE TO THE BEST OF MY KNOWLEDGE.

DRILLERS IDENT. NO. **40**
 DRILLERS SIGNATURE
 (MUST MATCH SIGNATURE ON APPLICATION)
 SITE SUPERVISOR (sign. of driller or journeyman responsible for sitework if different from permittee)

GRAVEL PACK IF WELL DRILLED WAS FLOWING WELL INSERT F IN BOX 68

OEP USE ONLY (NOT TO BE FILLED IN BY DRILLER)
 T (E.R.O.S.) W Q
 TELESCOPE CASING LOG INDICATOR OTHER DATA

C3
PUMPING TEST
 HOURS PUMPED (nearest hour) **3**
 PUMPING RATE (gal. per min. to nearest gal.) **12**
 METHOD USED TO MEASURE PUMPING RATE **Direct**
 WATER LEVEL (distance from land surface)
 BEFORE PUMPING **25**
 WHEN PUMPING **35**
 TYPE OF PUMP USED (for test)
A air **P** piston **T** turbine
C centrifugal **R** rotary **O** other (describe below)
J jet **S** submersible

PUMP INSTALLED
 DRILLER WILL INSTALL PUMP YES NO
 (CIRCLE) (YES OR NO)
 IF DRILLER INSTALLS PUMP, THIS SECTION MUST BE COMPLETED FOR ALL WELLS EXCEPT HOME USE
 TYPE OF PUMP INSTALLED PLACE (A,C,J,P,R,S,T,O) IN BOX - SEE ABOVE:
 CAPACITY: GALLONS PER MINUTE (to nearest gallon)
 PUMP HORSE POWER
 PUMP COLUMN LENGTH (nearest ft.)
 CASING HEIGHT (circle appropriate box and enter casing height)
 LAND SURFACE (nearest foot)

