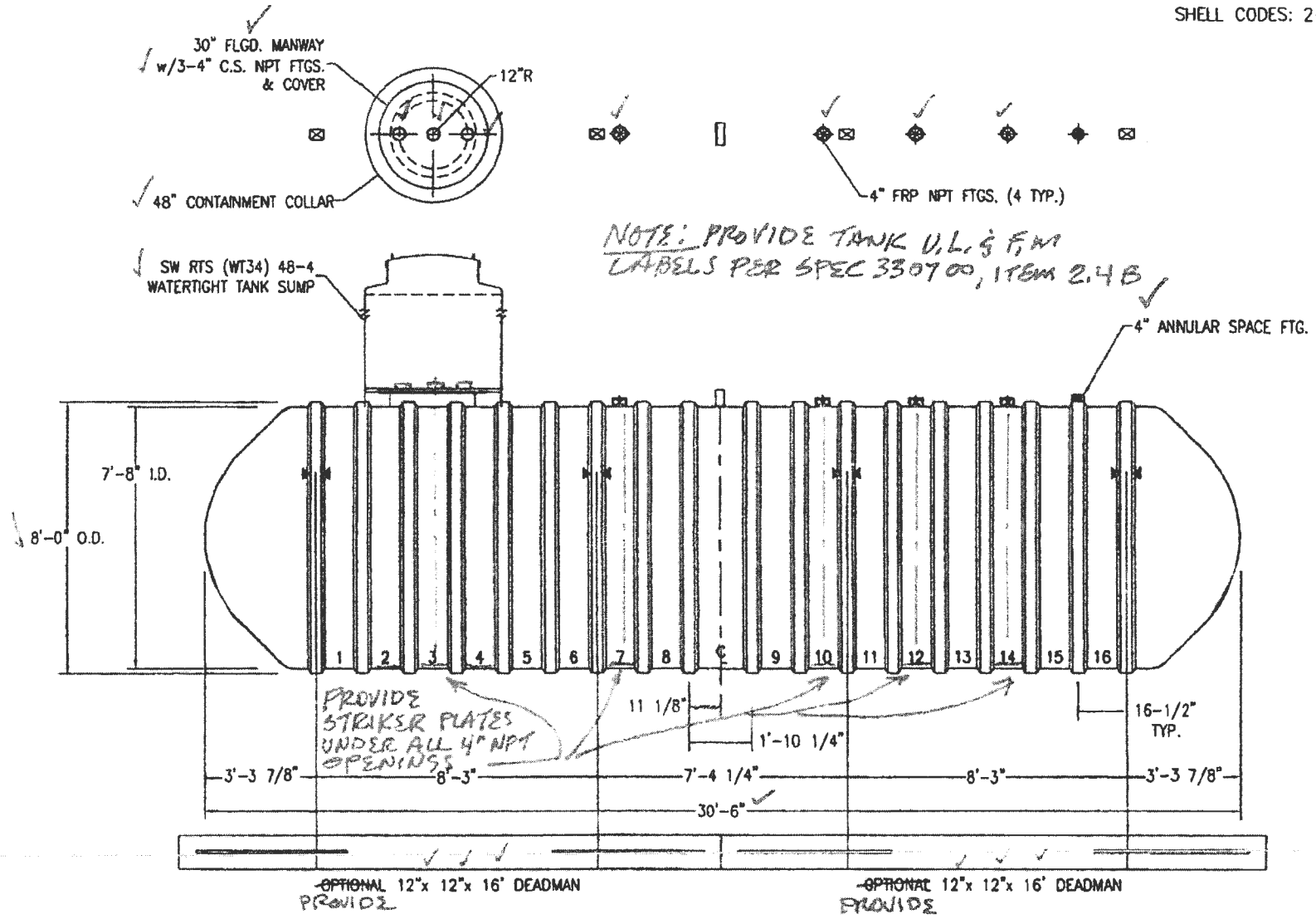


SHELL CODES: 2-E8D09SD



NOTE: PROVIDE TANK U.L. & F.W. LABELS PER SPEC 330700, ITEM 2.4 B

- NOTES:**
- ☒ HOLD DOWN STRAP CLIP
 - ▶◀ HOLD DOWN STRAP LOCATION
 - TYPE "13" LIFT LUG - SD
 - TYPE "13" LIFT LUG - HD

Product Code: # 8D10SD191	Active Date: _____
Order #: _____	Qty: _____
City: _____	State: _____
Delivery Date: _____	Rep: _____

CSI DWT6 (8')-10000		DATE: _____
PETRO SUPPLY		Drawn By: R.OXNER
Fiber Glass Systems	CAPACITY: 9,696	
NOV Completion & Production Solutions	WEIGHT: DRY/NET 4800/5950	DWG NUMBER: 22623-001

123204504



SUBMITTAL 3

TTI ENVIRONMENTAL, INC.

Dayton Highway Maintenance Facility

1253 NORTH CHURCH STREET
MOORESTOWN, NJ 08057
T: 856-840-8800 F: 856-840-8815
SUBMITTED BY: Chris Hall

David Moriconi, PE
Underground Storage Tank System Upgrade
4401 MD 32
Dayton, MD 21036

JOB DESCRIPTION: Fuel System Upgrade

TTI JOB #: 21-1641

QTY	SPEC SECTION	DESCRIPTION
1	330700-2.5	2,000-Gallon Cylindrical Fireguard AST ✓
1		Stairs - Safety Yellow ✓
1		7.5-Gallon Spill Container ✓
1		Clock Gauge ✓
1		Overfill Valve ✓
1		2" Locking Cap - Gauge Port ✓
1		Vent Cap ✓
1		Ball Valve ✓

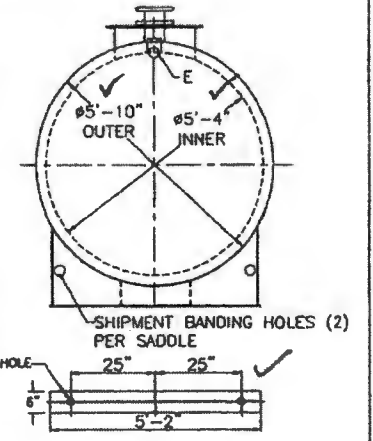
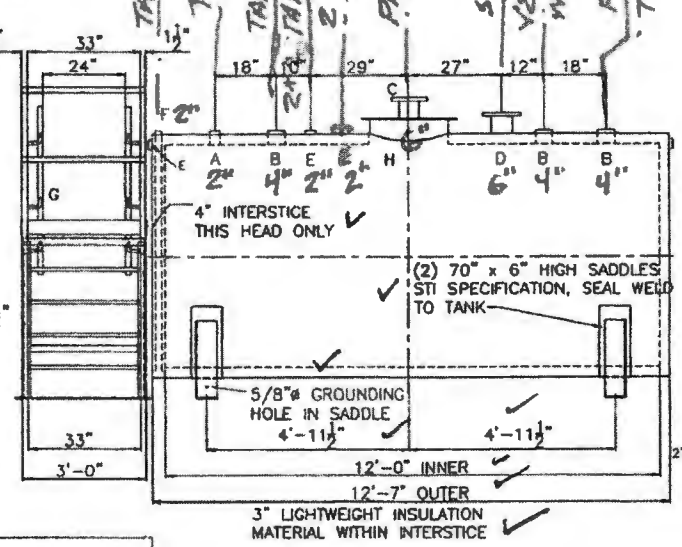
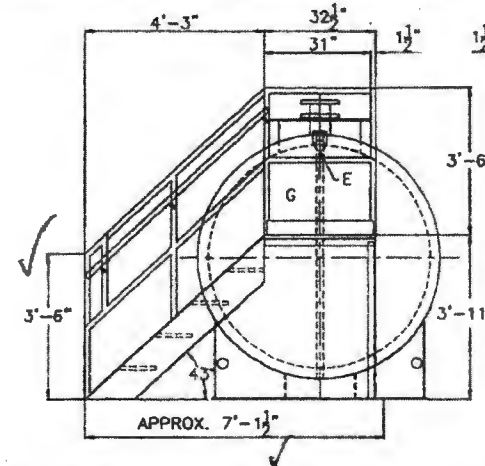
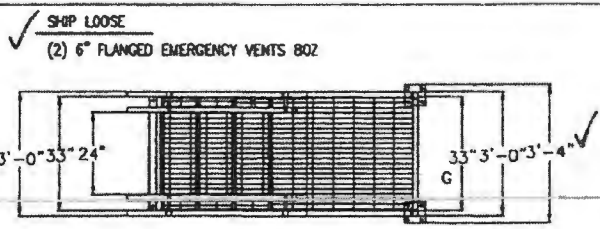
- REVIEWED & APPROVED REVIEWED WITH CHANGES NOTED
 REVISE & RESUBMIT REJECTED APPROVED WITH EXCEPTIONS (NOTED)

NOTES:

SEE NOTES ON 2,000 GAL. HIGHLAND TANK DWG NO. 114148
INCLUDED WITH THIS SUBMITTAL

BY: ROBERT RUSKEY

DATE: 4/20/22



* NOTE: SEE CONTRACT DWG M28 M-6 FOR AST ORIENTATION... THE STAIR & TANK FILL WILL BE ON RIGHT END OF AST

FACING BLDG. (VIEW SHOWN WOULD ROTATE 180°)

NOTE: ALL RIGHTS RESERVED THIS DRAWING MUST NOT BE REPRODUCED IN ANY FORM WITHOUT THE WRITTEN PERMISSION OF HIGHLAND TANK. HIGHLAND TANK SHALL BE RESPONSIBLE ONLY FOR ITEMS INDICATED ON THIS FABRICATION DRAWING UNLESS OTHERWISE NOTED. CUSTOMER IS RESPONSIBLE FOR VERIFYING CORRECTNESS OF SIZE AND LOCATION OF FITTINGS, ACCESSORIES, AND COATINGS SHOWN ON THIS DRAWING. TOUCH UP OF FINISHED PAINT IS REQUIRED BY INSTALLATION CONTRACTOR. TOUCH UP PAINT SHIPPED WITH TANK.

TANK LEAK DETECTION
TANK LEVEL CLOCK GAUGE
TANK FILL W/ SPILL CONTAINMENT
TANK STICK GAUGE W/ CAP
2" NORMAL VENT
PRIMARY VENT
SECONDARY VENT
VEEDER ROOT TANK
MONITORING PROBE
FOS & FOR PIPING TO/FROM BLDG.

DESIGN DATA

CAPACITY : 2,000 GALLONS ✓
TYPE: FIREGUARD® CYLINDRICAL ✓
FIREGUARD® IS A TRADEMARK OF THE STEEL TANK INSTITUTE
NO. REQ. - 1
OPERATING PRESSURE - ATMOSPHERIC ✓
SPECIFIC GRAVITY = 1.0 ✓
TANK MATERIAL - MILD CARBON STEEL ✓
THICKNESS - INNER - HEADS AND SHELL - 7 GAUGE ✓
THICKNESS - OUTER - HEADS AND SHELL - 7 GAUGE ✓
MIN. GAUGE OR THICKNESS (PER U.L. 2085) ✓
CONSTRUCTION - INNER - LAP WELD INSIDE & OUT ✓
CONSTRUCTION - OUTER - LAP WELD OUTSIDE ONLY ✓
TANK TEST - PER UL 2085 ✓
INT. FINISH - SP-10 BLAST, EPOXY LINER ✓
EXT. FINISH - SP-6 BLAST, FINISH PAINT WHITE ✓
LABEL- UL 2085 AND FIREGUARD® PER sti ✓

LEGEND

A	2" FEMALE FIREGUARD COUPLING
B	4" FEMALE FIREGUARD COUPLING
C	6" FFSO 150# FLANGE - PRIMARY EMERGENCY VENT USE ONLY
D	6" FFSO 150# FLANGE THROUGH OUTER SHELL ONLY, MARK WITH SPECIAL WARNING LABEL INTERSTITIAL EMERGENCY VENT USE ONLY
E	2" FITTING THROUGH OUTER SHELL ONLY WITH CAST IRON PLUG- MFG USE ONLY
F	2" INTERSTITIAL MONITOR PIPE - MALE NPT END
G	47-1/2" HIGH FREE STANDING STAIR AND PLATFORM ASSEMBLY PAINTED SAFETY YELLOW AND SHIPPED LOOSE FOR INSTALLATION ON SITE BY OTHERS
H	24" x 3/4" PLATE TIGHT BOLT MANWAY WITH 1/2" THICK FIBREFLEX GRADE "A" GASKET

NOTES:
1. TANK SHALL BE LABELED FOR UL 2084, UL 2085 AND STI (STEEL TANK INSTITUTE)
2. ADD ANOTHER 2" FITTINGS IN TANK TOP

NOTES: STRIKER PLATES ARE NOT SUPPLIED ON FIREGUARD® UNLESS SPECIFIED

UNLESS NOTED, TOLERANCES ARE ±.1"	
2,000 GAL 64" Ø CYL. FIREGUARD®	
PATENT: 5,625,089 PATENT: 5,809,650	
CUSTOMER: PETRO SUPPLY INC	
PROJECT: DAYTON HIGHWAY	
QUOTE NO: 478771	DWG BY:
SCALE: 1/2" = 1'	DATE: 06/09/20
001	114148

QTY	ITEM NUMBER	DESCRIPTION
-----	-------------	-------------

ABOVEGROUND STORAGE TANK & EQUIPMENT

- | | | |
|-----|------------------|---|
| ✓ 1 | Highland-Tank | ✓ 2,000-gallon Cylindrical FireGuard Tank
6'10" W x 4'7" H x 11'3" L ✓
(1) Primary and Secondary Emergency Vents ✓
(1) 2" Fitting – Interstitial Monitoring ✓
(1) 2" Fitting – Normal Vent ✓
(2) 6" Fitting – Emergency Vents ✓
(3) 4" Fittings ✓ |
| ✓ 1 | Stairs | ✓ Interior Epoxy Lining Includes Interior Welds
(1) 2" FITTING - TANK GAUGE PORT
Set Free Standing Stairs – Painted Safety Yellow |
| ✓ 1 | 518-100AC 4" | 7 ½ Gallon Spill Container |
| ✓ 1 | 818-100AGEVR | Clock Gauge LEVEL |
| ✓ 2 | 9095A-KIT91-AV | Overfill Valve Kit w/ Drop Tube and Cap |
| ✓ 1 | 179CI-0100AC | 2" Locking Cap – Gauge Port |
| ✓ 1 | _____ | OPW 23 Series Atmospheric Vent - 2" |
| ✓ 1 | 21BV-0050 | ½" Ball Valve w/ LOCKABLE HANDLES |

Model 518 Series 7½ Gallon AST Spill Container

SPECIFICATION SHEET

Application

Tank top spill containers are designed to contain small spills that occur at the fill point on aboveground storage tanks.



Features and Details

- 7½ gallon (28.39 liters) capacity
- Hinged cover lockable with a padlock
- Space saving offset design
- ✓ • 518 has female threaded offset connection
- 518CC has female threaded centered connection
- 518M has male threaded offset connection

Materials of Construction

- Body... 12 gauge spun steel, powder coated white
- Cover... 14 gauge steel, powder coated white
- Drain valve... brass
- Drain o-ring... Viton®

Code Compliance

- Florida DEP EQ 345, meets the new and revised requirements for CAN-ULC-S663-11 (effective September 25, 2015)



Item Number	A	B	C	D	E	F	G	H	I	J
518-0100 AC	7½	F	O	4"	Y	N	15¼"	19 ¹¹ / ₁₆ "	26.0	15 ⁷ / ₃₂ "
518CC-0100 AC	7½	F	C	4"	Y	N	15¼"	19 ¹¹ / ₁₆ "	26.0	15 ⁷ / ₃₂ "
518M-0100 AC	7½	M	O	4"	Y	N	17 ¹¹ / ₁₆ "	19 ¹¹ / ₁₆ "	26.0	15 ⁷ / ₃₂ "
518M-0200 AC	7½	M	O	2"	Y	N	16 ¹¹ / ₃₂ "	19 ¹¹ / ₁₆ "	20.0	15 ⁷ / ₃₂ "

SPECIFICATION OPTIONS:

- A—Capacity: Gallons
- B—Mounting connection: Male (M), Female (F)
- C—Mounting location: Center (C)
- D—Size: NPT threads
- E—Drain: Yes/No
- F—Screen: Yes/No
- G—Height: (inches)
- H—Width: (inches)
- I—Shipping weight: (lbs)
- J—Body diameter (inches)

570 E. 7th Street, P.O. Box 238 | Dubuque, IA 52004-0238
 t. 563.583.5701 | 800.553.4840 | f. 563.583.5028

www.morbros.com

Model 179 Series Hinged Style Fill Cap

SPECIFICATION SHEET

Designed for tank filling applications where a tight fill connection is not required. Threaded body installs onto riser pipe or directly into tank bung.

Features

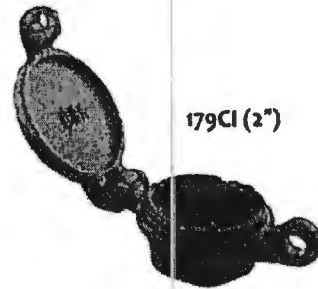
- Easy to open and close hinged operation
- Positive stop to prevent cover from contacting tank
- Lockable with a padlock
- Integrated venting when closed
- Your company name can be cast into the cover upon request
- 179 and 179CI have female threads
- 179M and 179MCI have male threads

Construction Details

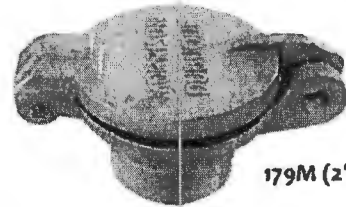
- ✓ 179 & 179M
- ✓ Aluminum body
- ✓ Aluminum cap
- ✓ Zinc plated steel hinge pin

179CI & 179MCI

- Cast iron (powder coated black) body
- Cast iron (powder coated black) cap
- Zinc plated steel hinge pin



179CI (2")



179M (2")

Item Number	Material	Size	Weight (lbs)
179-0100 AC	Aluminum	2"	0.75
179-0200 AC	Aluminum	2½"	1.0
179-0300 AC	Aluminum	3"	1.0
179-0400 AC	Aluminum	4"	2.0
179M-0100 AC	Aluminum	2"	0.75
179M-0200 AC	Aluminum	2½"	1.25
179CI-0100 AC	Cast Iron	2"	2.50
179MCI0100 AC	Cast Iron	2"	2.75

570 E. 7th Street, P.O. Box 238 | Dubuque, IA 52004-0238
t. 563.583.5701 | 800.553.4840 | f. 563.583.5028

www.morbros.com

Model 818 Clock Gauge

SPECIFICATION SHEET

Application

The Morrison 818 series clock gauges are designed to measure the liquid level in storage tanks up to 12 feet in measurement. The liquid level reading is displayed in feet and inches.

Features and Details

- Gauge readout in feet and inches:
 - Hour hand (short hand) = feet
 - Minute hand (long hand) = inches
- Easy to install and calibrate in a 2" tank top opening ✓
- Easily read from 30 feet away
- Accurate to 1/4 of an inch
- Vapor tight and fog-free construction
- Gauge rotates 360° for placement in the desired orientation
- Visual indicator decals for high level (red) and low level (green) are included with the dial face cover
- Standard float fits through a 2" schedule 40 pipe nipple; drop tube float fits through schedule 40 and schedule 80 pipe nipple
- Optional drop tube style float for use with drop tube reduces the risk of float entanglement when turbulent tank conditions occur (compatible with Morrison 419 2" models)
- 818T and 818FT series are compatible for use with Diesel Exhaust Fluid (DEF)

Materials of Construction

818 & 818F

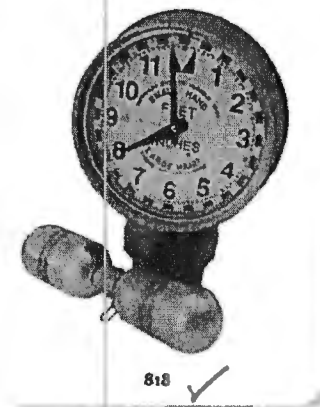
- ✓ • Body... Aluminum
- ✓ • Float... Stainless steel
- ✓ • Cable... Stainless steel

818T & 818F

- Body... PTFE coated aluminum
- Float... Stainless steel
- Cable... Stainless steel

Code Compliance

CARB EVR Executive Order VR-402, Florida DEP EQ-873



Item numbers and specification details on next page.

 MORRISON BROS. CO.

Model 818 Clock Gauge (continued)

SPECIFICATION SHEET

Item Number	A	B	C	D	E	F	G	H	I
818-0100 AG	This model no longer available. Refer to 818-0100AGEVR for equivalent.								
818-0100AGEVR	N	M	ST	S	8.54"	3.48"	6 1/16"	4.50	NPT
818-0400 AG	This model no longer available. Refer to 818-0400AGEVR for equivalent.								
818-0400AGEVR	N	M	DT	S	8.54"	3.48"	6 1/16"	4.50	NPT
818F-0100 AG	This model no longer available. Refer to 818F-0100AGEVR for equivalent.								
818F-0100AGEVR	N	F	ST	S	9 1/2"	3.48"	6 1/16"	4.50	NPT
818F-0400 AG	This model no longer available. Refer to 818F-0400AGEVR for equivalent.								
818F-0400AGEVR	N	F	DT	S	9 1/2"	3.48"	6 1/16"	4.50	NPT
818I-0000 AG	N	M	NO	I	8.54"	3.48"	6 1/16"	4.0	NPT
818MEB0100 AG	N	M	ST	M	8.54"	3.48"	6 1/16"	4.50	BSP
818MEB0400 AG	N	M	DT	M	8.54"	3.48"	6 1/16"	4.50	BSP
818MEF0100 AG	This model no longer available. Refer to 818MEF0100AGEVR for equivalent.								
818MEF0100AGEVR	N	F	ST	M	9 1/2"	3.48"	6 1/16"	4.50	NPT
818MEF0400 AG	This model no longer available. Refer to 818MEF0400AGEVR for equivalent.								
818MEF0400AGEVR	N	F	DT	M	9 1/2"	3.48"	6 1/16"	4.50	NPT
818MET0100 AG	This model no longer available. Refer to 818MET0100AGEVR for equivalent.								
818MET0100AGEVR	N	M	ST	M	8.54"	3.48"	6 1/16"	4.50	NPT
818MET0400 AG	This model no longer available. Refer to 818MET0400AGEVR for equivalent.								
818MET0400AGEVR	N	M	DT	M	8.54"	3.48"	6 1/16"	4.50	NPT
818T-0100 AG**	N	M	ST	S	8.54"	3.48"	6 1/16"	4.50	NPT
818T-0400 AG**	N	M	DT	S	8.54"	3.48"	6 1/16"	4.50	NPT
818FT-0100 AG**	N	F	ST	S	9 1/2"	3.48"	6 1/16"	4.50	NPT
818FT-0400 AG**	N	F	DT	S	9 1/2"	3.48"	6 1/16"	4.50	NPT
818MET400 AG**	N	F	DT	M	9 1/2"	3.48"	6 1/16"	4.50	NPT
818METT400 AG**	N	M	DT	M	8.54"	3.48"	6 1/16"	4.50	NPT

**PTFE coated, DEF compatible

SPECIFICATION OPTIONS:

- A—Overfill alarm: Yes (Y) or No (N)
- B—Body connection: Male (M) or Female (F)
- C—Float device: Standard 2" float (ST), drop tube float (DT), or no float (NO)
- D—Face plate: Standard (S), Metric (M), floating suction (I)
- E—Height in inches (see diagram below)
- F—Width in inches (see diagram below)
- G—Clock diameter in inches
- H—Shipping weight in lbs
- I—Body: aluminum with 2" NPT or BSP (metric) connection

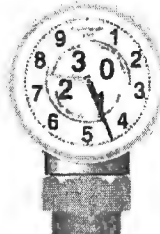
Float: Stainless steel
Cable: Stainless steel



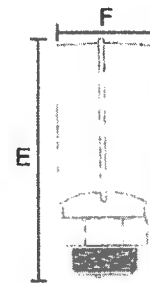
Standard Face Plate



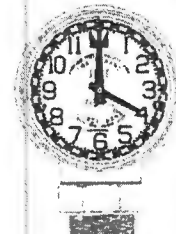
Floating Suction Face Plate



Metric Face Plate



Not to scale



570 E. 7th Street, P.O. Box 238 | Dubuque, IA 52004-0238
t. 563.583.5701 | 800.553.4840 | f. 563.583.5028

www.morbro.com

MORRISON BROS. CO.

April 2020

Model 9095AA 2" Overfill Prevention Valve

SPECIFICATION SHEET

Application

The 9095AA 2" series overfill prevention valve is designed to prevent overfilling storage tanks by providing a positive shut-off during a pressurized fill.

Features

- Installs directly onto a 4" riser or top mounted spill container
- Minimum shut-off height is 2" from the tank top
- 2.35" of float height adjustment
- Drop tube adaptor accepts 2" drop fill tubes (Morrison 419)
- Full flow to shut-off point, cushioned closure eliminates shock
- Integral pressure relief
- Integral anti-siphon function
- Optional test mechanism

Materials of Construction

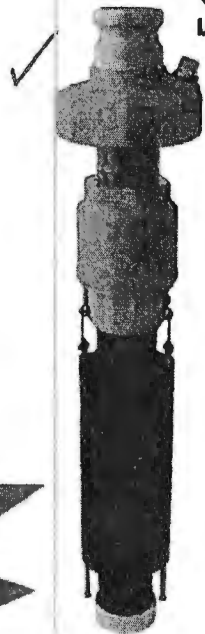
- Direct fill adaptor...passivated aluminum
- Remote adaptor...ductile iron, powder coated
- Shaft, linkage and hardware...stainless steel
- Lower pipe nipple...e-coated steel
- Drop tube adaptor...passivated aluminum
- Body...passivated aluminum

Operational Criteria

- Minimum 5 PSI flow requirements
- Maximum operating pressure is 100 PSI
- Maximum viscosity of 3000 centistokes (See examples on next page)
- A tight fill connection is required for the valve to operate
- The estimated flow rate is 230 GPM at 10 PSI pressure drop (See flow curve)

Code Compliance

ULC-S661-10 listed, NFPA 30, 30A, UFC, IFC, PEI /RP200, PEI/RP 600, Florida DEP EQ-851, and California EVR models available



9095AA0200 (2")

NOTE
For use on clean liquids only.

NOTE
9095A models have been replaced with 9095AA models.

Item Number	Size	Description	Tank Opening	Weight (lbs)
9095AA0200 AV	2"	Valve with 2" male quick disconnect x 4" female threads	4"	14.10
9095AA4000 AV	2"	Valve with 3" male quick disconnect x 4" female threads	4"	18.80
9095AA3200AVEVR	2"	Valve with 2" female threads x 4" female threads	4"	14.10
9095AA4200AVEVR	2"	Valve with 3" female threads x 4" female threads	4"	21.25
9095AA5200AVEVR	2"	Valve with 2" dry disconnect x 4" female threads	4"	21.25
9095AA9200AVEVR	2"	Valve less adaptor	4"	14.10
9095ATM0100 AM	2" & 3"	Mechanical test mechanism kit for 9095AA Series (except 9095AA4000 AV)		.50
9095ATM1000 AK	2" & 3"	Mechanical test mechanism kit for 9095X Series and 9095AA4000AVEVR		
9095A-KIT91 AV	2"	Includes 9095AA0200 AV, 2" x 6" 419 drop tube, and 305C cap		
9095ATKIT91 AV	2"	Same as 9095A-KIT91 AV, with test mechanism		

*No mechanical test mechanism available for 9095AA4200 AVEVR.

Diagram and flow curve on next page.

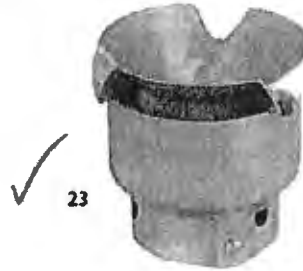
MORRISON BROS. CO.

Materials

Body: Aluminum
Screen: 40-mesh brass
Set Screws: Brass

Features

- ◆ Reliable Service – vent cap drain spouts extend outward to deter rainwater entry.
- ◆ Corrosion-Resistant Construction – aluminum body and cap assure a long service life.
- ◆ Easy Installation – 23 series is available in 2" and 3" slip-on models that provide for attachment to the vent line with set screws.
- ◆ Complies with NFPA 30 Requirements – for venting gasoline vapors upward.



- ◆ High-Maximum Flow Rate – 7000 SCFH at 2 psi (0.14 bar) pressure drop.
- ◆ 40-Mesh Brass Wire Screen – Helps prevent debris and insects from entering the tank vent lines.

Replacement Parts

Part #	Description
H00122M	Screw
H01967M	Nut
H01969M	Screen

Ordering Specifications

Product #	Description	in.	mm	oz.	kg	Weight	
						lbs.	kg
23-0044	Open Vent	1 1/2	38	3.8	.11	0.25	0.11
23-0033	Open Vent	2	51	4.3	.12	0.25	0.11
23-0055	Open Vent	3	76	5.0	.14	1.00	0.45

Materials

Body: Zinc/aluminum
Screen: brass
Cap: 2" - Steel 4" - cast iron
Screen: 40-mesh stainless steel



Ordering Specifications

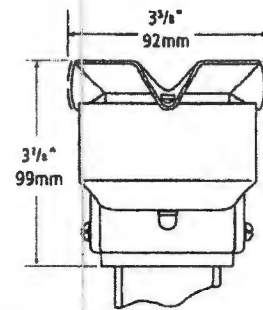
Product #	in.	mm	lbs.	kg
113-0066	2	51	.88	.40
113-0099	4	102	7.50	3.41

Dimensions

	2" (51mm)		4" (102mm)	
	in.	mm	in.	mm
A	1 1/2	38	2 3/4	70
B	3 3/4	95	7 1/16	189
C	2 3/4	70	4 13/16	125

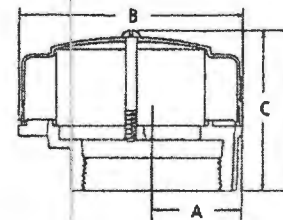
OPW 23 Series Open Atmospheric Vents

Open Atmospheric Vents are installed on the top of vent pipes from underground or above ground fuel storage tanks. The vent cap and internal wire screen are designed to protect the tank vent lines against intrusion and blockage from water, debris or insects. These vents are always open to atmosphere and allow any pressure or vacuum into the tank to vent.



OPW 113 Series Open Atmospheric Utility Vents

OPW 113 Open Atmospheric Utility Vents are installed on the top of above ground fuel storage tanks. The vent cap and internal wire screen are designed to protect the tank vent lines against intrusion and blockage from water, debris or insects. These vents are always open to atmosphere and allow any pressure or vacuum into the tank to vent. The 113 vents vapors downward and is used primarily on diesel, fuel oil, waste-oil and motor-oil tanks, but can also be used on a wide variety of above ground storage tank venting applications.



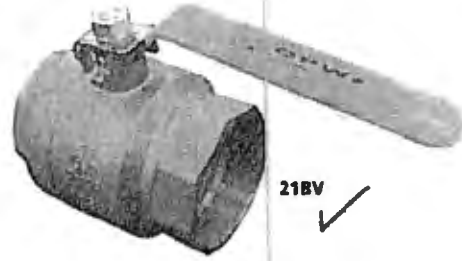
For more information contact OPW Customer Service at
1-800-422-2525; International call 1-513-870-3315.

OPW 21BV Full Port Two-Way Ball Valve

OPW Ball Valves are used throughout fueling systems where a shut-off point is desirable to isolate a section of the piping system. These full-port, forged brass valves feature a manual open-close arm and a quick quarter-turn handle, allowing easy shut down of your AST or UST system. Compatible with gasoline, alcohol fuels, diesel and MTBE. Available with Lockable Handle (LH).

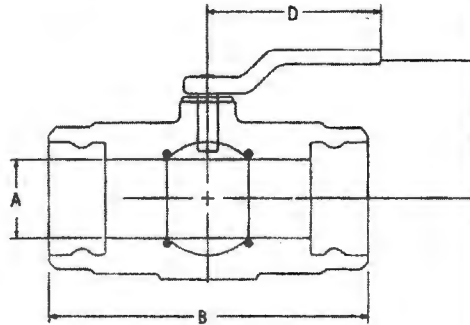
Materials

Body: Brass
Ball: Hard chrome plated
Seal: Teflon*



Features

- ◆ Pressure rated to 600 psig (41 bar) WOG
- ◆ Blowout-proof stem
- ◆ Chrome-plated brass ball
- ◆ Secondary O-ring stem seal
- ◆ PTFE seats, thrust bearing and stem packing



Ordering Specifications and Dimensions

Model #	Size (in.)	Dimensions (in.)			
		A	B	C	D
21BV-0050	1/2	0.59	2.28	1.81	3.35
21BV-0075	3/4	0.78	2.51	2.36	4.29
21BV-0100	1	0.98	2.97	2.52	4.29
21BV-0150	1 1/4	1.57	3.87	2.72	5.63
21BV-0200	2	1.96	4.29	3.03	5.63
21BV-0200SS*	2	1.96	4.80	3.66	7.09
21BV-0300	3	3.15	6.10	5.12	8.35

*SS denotes Stainless Steel.

202233	Lockable Handle Kit for 1/2" Model (Handles sold separately)
202234	Lockable Handle Kit for 3/4" and 1" Models (Handles sold separately)
202235	Lockable Handle Kit for 1-1/2" and 2" Models (Handles sold separately)

PROVIDE WITH LOCKABLE HANDLE KIT INCLUDING HANDLE

Listings and Certifications



WATER WELL ABANDONMENT-SEALING REPORT FORM

SUBMIT COPIES OF COMPLETED FORM TO:

- * COUNTY ENVIRONMENTAL AGENCY (contact MDE, WMA if address needed)
- * WELL OWNER
- * MDE, WATER MANAGEMENT ADMINISTRATION, WELL PROGRAM

APPROVED
10/16/2018
[Signature]

DATE WELL ABANDONED: January 30, 2018 (month/day/year)

* PERMIT NUMBER OF ABANDONED WELL (if any)

* PERMIT NUMBER OF REPLACEMENT WELL:

HO-95-2487

* PERSON ABANDONING WELL: Bruce Thompson

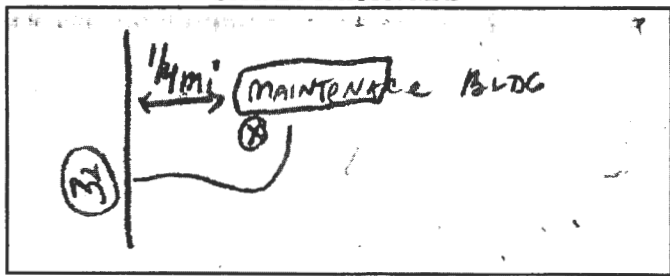
WELL DRILLER'S LICENSE NUMBER:

CIRCLE: MWD / MSD / MGD

* OWNER'S NAME: Howard County DPW

SITE LOCATION MAP

* WELL LOCATION:
COUNTY: Howard
NEAREST TOWN: Glenn
TAX MAP _____ BLOCK _____ PARCEL _____
SUBDIVISION: _____
SECTION: _____ LOT: _____
STREET ADDRESS: 4301 Route 32



LATITUDE 39.250652

LONGITUDE 76.977651

LOG OF SEALING MATERIAL

* TYPE OF WELL BEING ABANDONED:
 DRILLED _____ JETTED
_____ BORED _____ HAND DUG
_____ OTHER (specify) _____

MATERIAL	FEET	
	FROM	TO
Bentonite	175	2
Cement	2	0

* USE CODE:
_____ DOMESTIC _____ MUNICIPAL/PUBLIC
_____ IRRIGATION _____ INDUSTRIAL
_____ TEST/OBSERVATION _____ GEOTHERMAL

VOLUME OF MATERIAL USED

* TYPE OF CASING:
 STEEL _____ PLASTIC
_____ CONCRETE _____ OTHER (specify) _____

500# Bentonite or Slurry - 200# Cement

SIZE OF CASING: 6 INCHES IN DIAMETER

DEPTH OF WELL: 175 FEET DEEP

WAS ANY CASING REMOVED? YES _____ NO
If yes, length removed, in feet: 2

WAS CASING RIPPED OR PERFORATED? _____ YES NO

SIGNATURE-MASTER WELL DRILLER OR SUPERVISING SANITARIAN LICENSE#
George F. Esterling 040

CIRCLE ONE MWD MSD / MGS 2-22-18 [Symbol]
DATE

COUNTY

Pursuant to § 10-624 of the State Govt. Article of the Maryland Code, personal info requested on this form is used in processing this form pursuant to COMAR 26.04.04. Failure to provide the info may result in this form not being processed. You have the right to inspect, amend, or correct this form. The Maryland Department of the Environment is subject to the Maryland Public Information Act. This form may be made available on the Internet via MDE's website and is subject to inspection or copying, in whole or in part, by the public and other governmental agencies, if not protected by federal or State Law.