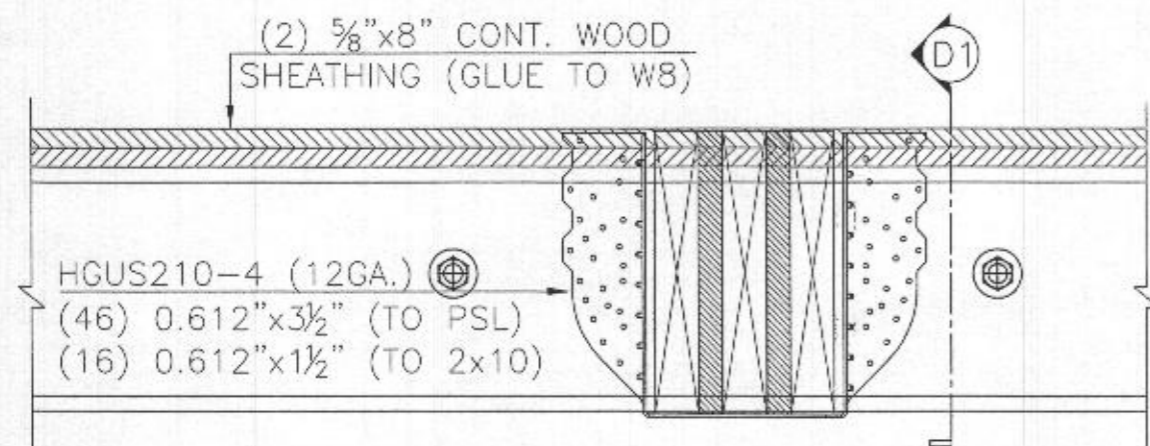
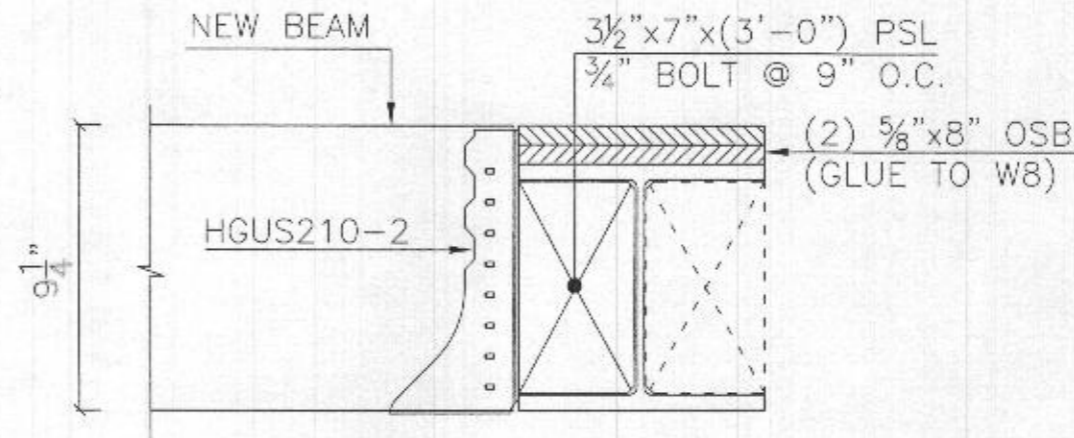


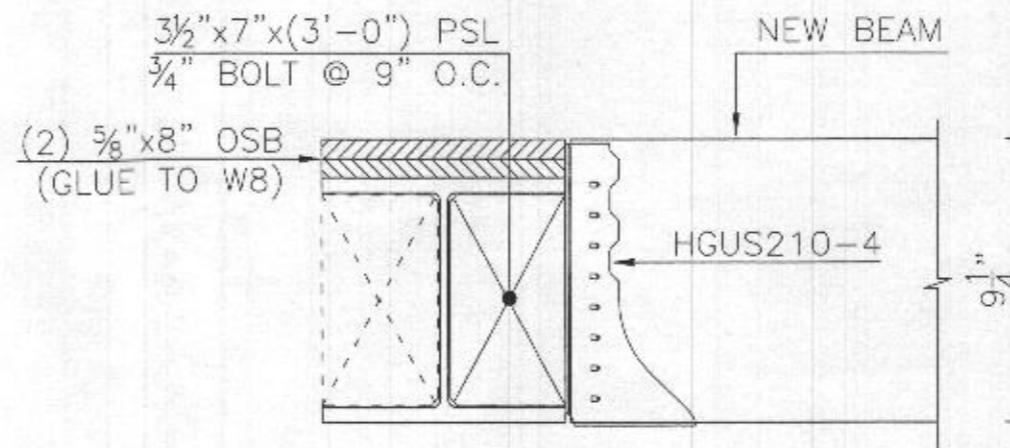
C BEAM-1 TO STEEL GIRDER

SCALE: 2" = 1'



D BEAM-2 TO STEEL GIRDER

SCALE: 2" = 1'



BE

PIRMOZ STRUCTURAL ENGINEERING, LLC
17934 SHOTLEY BRIDGE PL.,
OLNEY, MD 20832
TEL: 301 888-1592

PROFESSIONAL CERTIFICATION.
I HEREBY CERTIFY THAT THESE
DOCUMENTS WERE PREPARED OR
APPROVED BY ME, AND THAT I AM A
FULLY LICENSED PROFESSIONAL
ENGINEER UNDER THE LAWS OF THE
STATE OF MARYLAND, LICENSE NO.
54919, EXPIRATION DATE: 2024-12-21



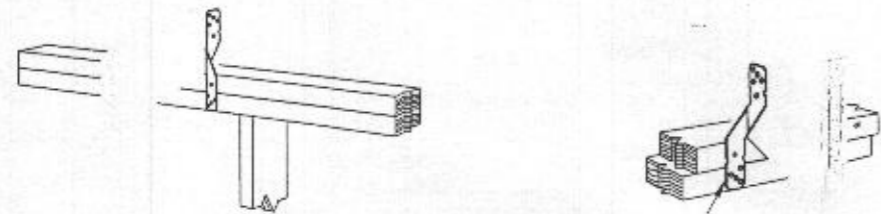
No.	REVISION/ISSUE	DATE
2	PERMT SET	2023-01-09
1	REVIEW SET	2022-12-28

PROJECT ADDRESS AND SCOPE:

7600 PINDELL SCHOOL RD.
FULTON, MD 20759

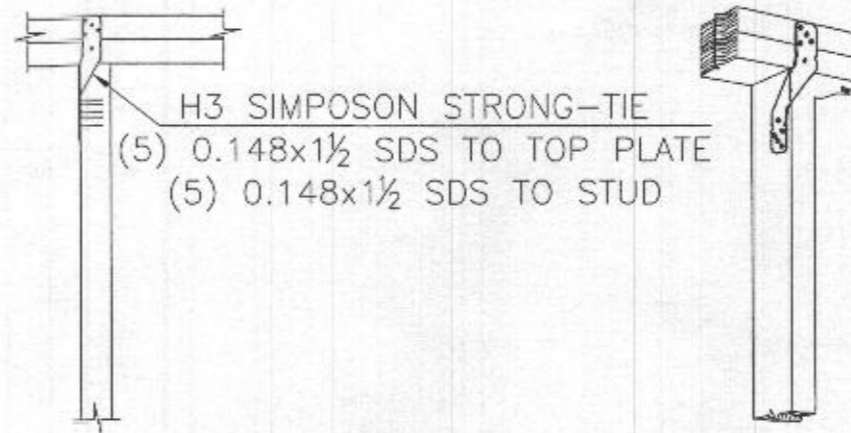
INTERIOR LOAD BEARING WALL
REMOVAL, STAIRWAY RELOCATION
& ENCLOSING EXISTING PORCH

DESIGNED BY:	AP	SHEET
DRAWN BY:	ZA	S-07
CHECKED BY:	AP	BEAM DETAILS
PAGE		14 of 19



H8 SIMPOSIN STRONG-TIE
 (5) 0.148x1½ SDS TO TOP PLATE
 (5) 0.148x1½ SDS TO STUD

TYP. JOIST TO WALL CONN. TYP.



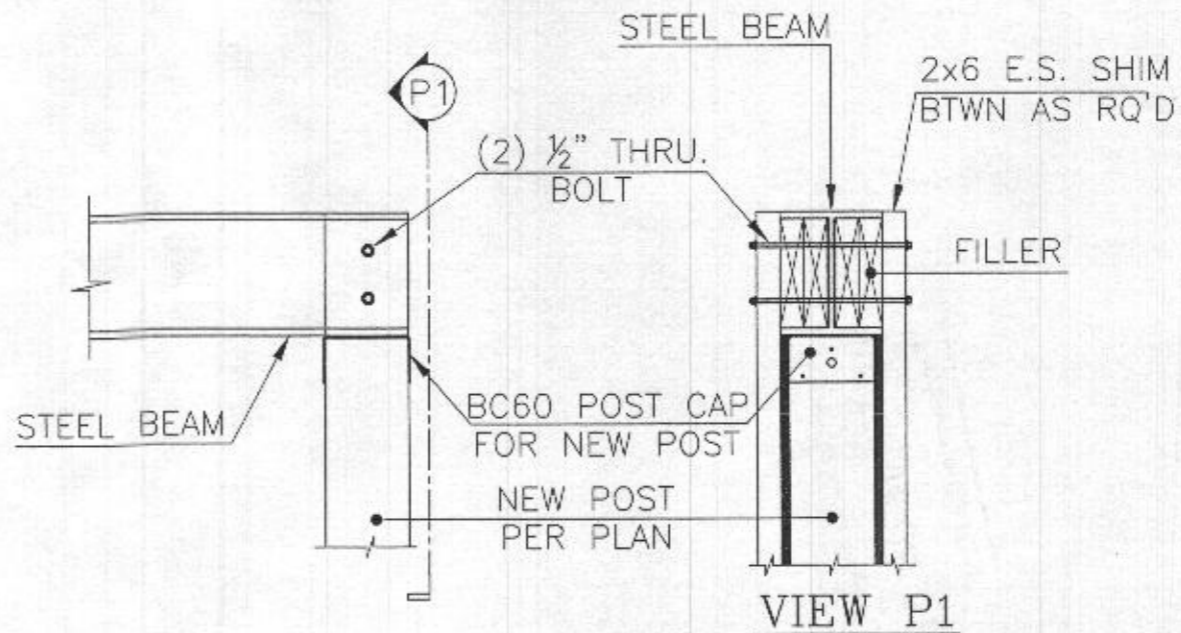
H3 SIMPOSIN STRONG-TIE
 (5) 0.148x1½ SDS TO TOP PLATE
 (5) 0.148x1½ SDS TO STUD

TYP. STUD TO TOP & BOTT. PLATE CONN.

FASTENER SCHEDULE

BUILDING ELEMENT	NUMBER OF FASTENER	SPACING AND LOCATION
BLOCKING	(3) 8d COMMON	EACH END, TOE-NAIL
JOIST TO TOP/SILL PLATE	(3) 8d COMMON	EACH END, TOE-NAIL
STUD TO STUD	16d COMMON	12" O.C.; FACE-NAIL
BUILT-UP HEADERS	16d COMMON	12" O.C.; FACE-NAIL
TOP-PLATE TO TOP-PLATE	16d COMMON	12" O.C.; FACE-NAIL
TOP-PLATE TO TOP-PLATE AT END JOINTS	(8) 16d COMMON	EACH END OF JOINT; FACE NAIL
STUD TO TOP/SILL PLATE	(4) 8d COMMON	TOE-NAIL
BOTTOM PLATE TO JOIST/RIM BOARD	16d COMMON	12" O.C.; FACE-NAIL
ROOF SHEATHING TO SUPPORTS	8d COMMON	6" O.C.; FACE-NAIL
WALL SHEATHING TO SUPPORTS	8d COMMON	4" O.C.; FACE-NAIL

REFER TO TABLE 2304.10.1 OF IBC 2018 FOR CPLETION OF INFORMATION.



POST SUPPORTING DET. SCALE: 1"=1'

BE

FIRMOZ STRUCTURAL ENGINEERING, LLC
 11934 S407LEY BRIDGE PL.
 OLNEY, MD 20832
 TEL. (301) 838-1593

PROFESSIONAL CERTIFICATION
 I HEREBY CERTIFY THAT THESE DOCUMENTS WERE PREPARED OR APPROVED BY ME, AND THAT I AM A FULLY LICENSED PROFESSIONAL ENGINEER UNDER THE LAWS OF THE STATE OF MARYLAND, LICENSE NO. 54919, EXPIRATION DATE: 2024-12-21



No.	REVISION/ISSUE	DATE
2	PERMIT SET	2023-01-09
1	REVIEW SET	2022-12-28

PROJECT ADDRESS AND SCOPE:
 7600 PINDELL SCHOOL RD.
 FULTON, MD 20759
 INTERIOR LOAD BEARING WALL REMOVAL, STAIRWAY RELOCATION & ENCLOSING EXISTING PORCH

DESIGNED BY: AP	SHEET
DRAWN BY: ZA	S-12
CHECKED BY: AP	CONNECTION
PAGE	19 of 19