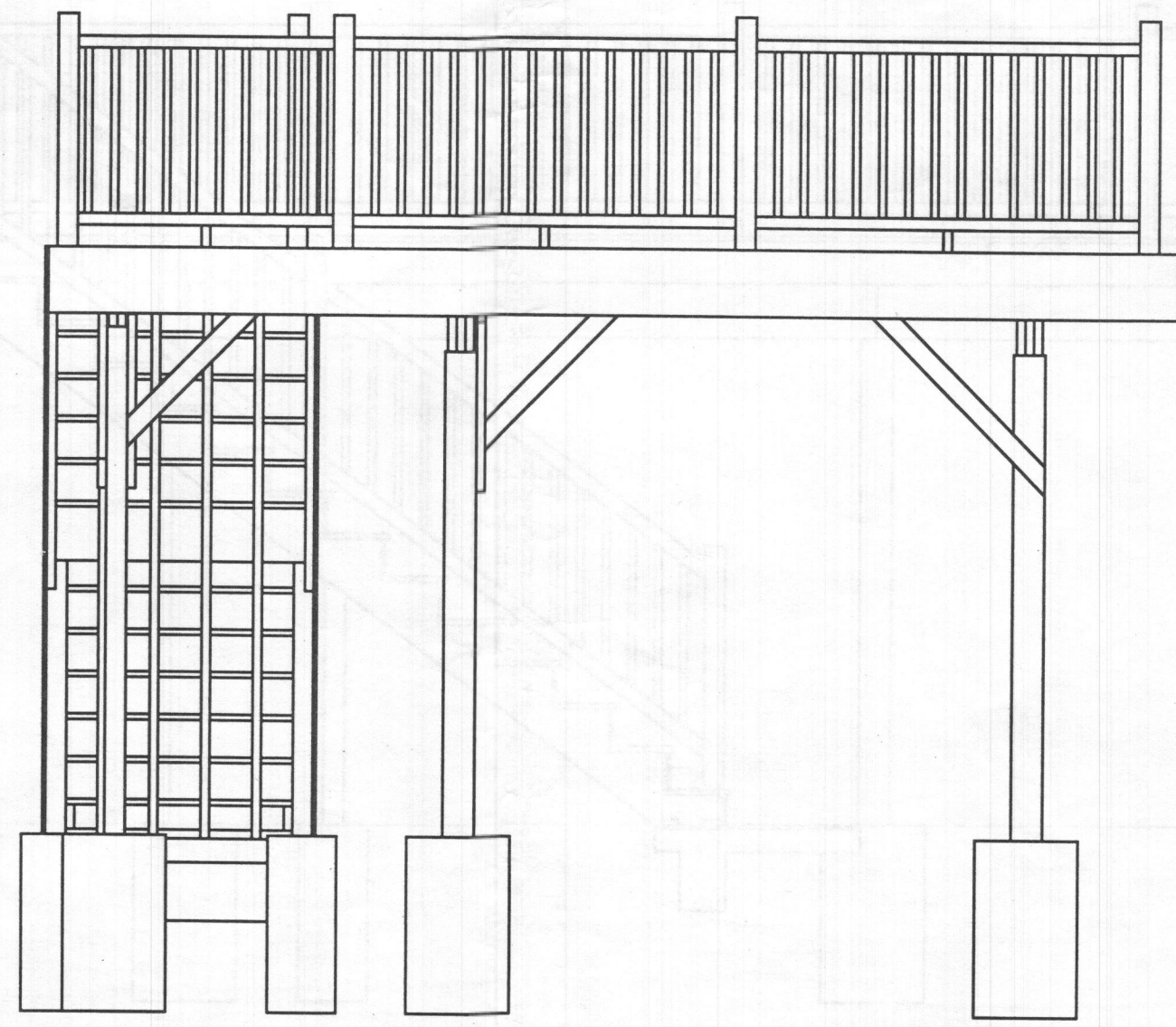


HOUSE



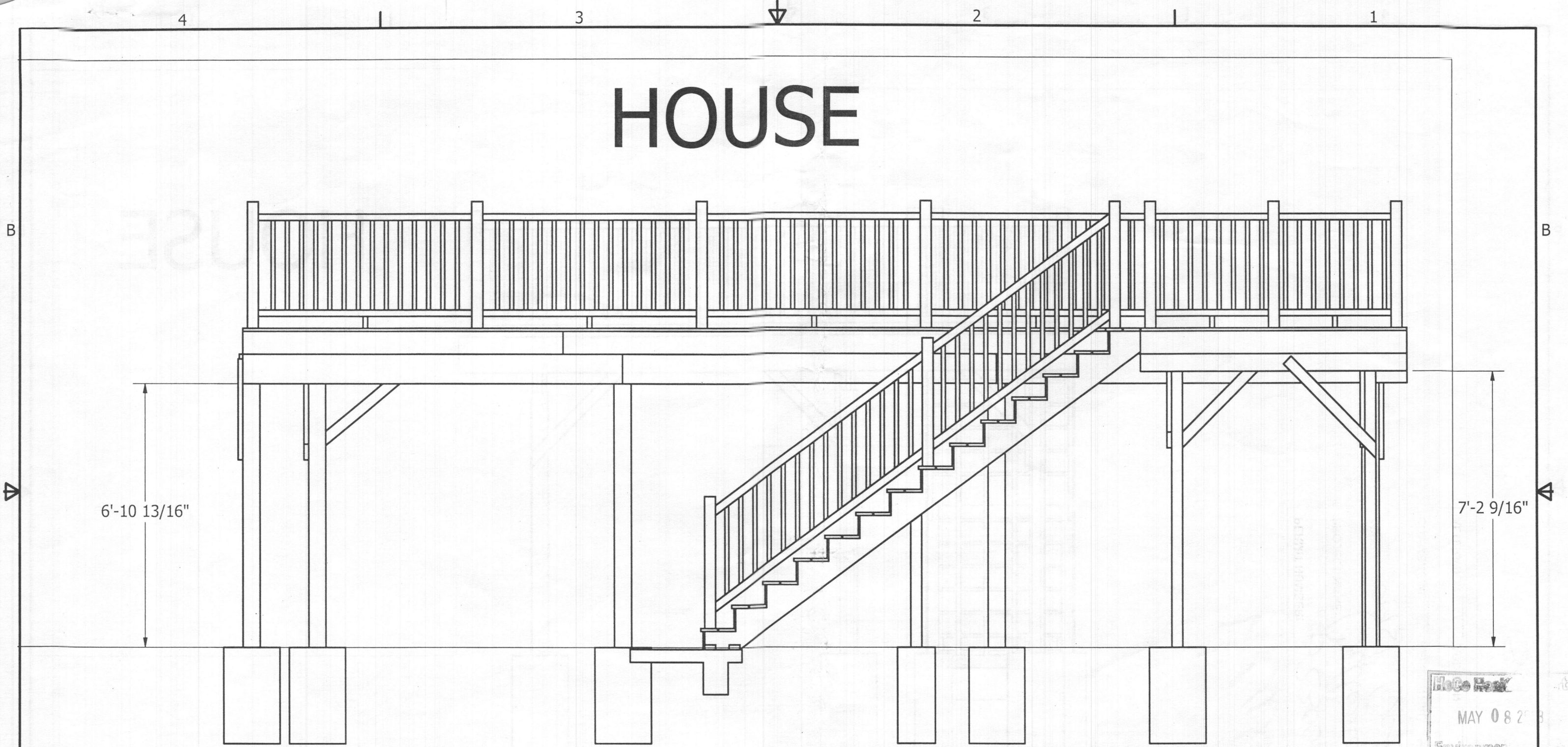
PERMIT NUMBER: *P23001585*
 PROJECT NAME: *Callaway Deck*
 ADDRESS: *9951 Oak Lea Court*
 COMMERCIAL _____ RESIDENTIAL LOT # _____ NEW _____
 ALTERATION _____ ADDITION _____ MISC _____ OTHER _____


Callaway

S4 30 f 3

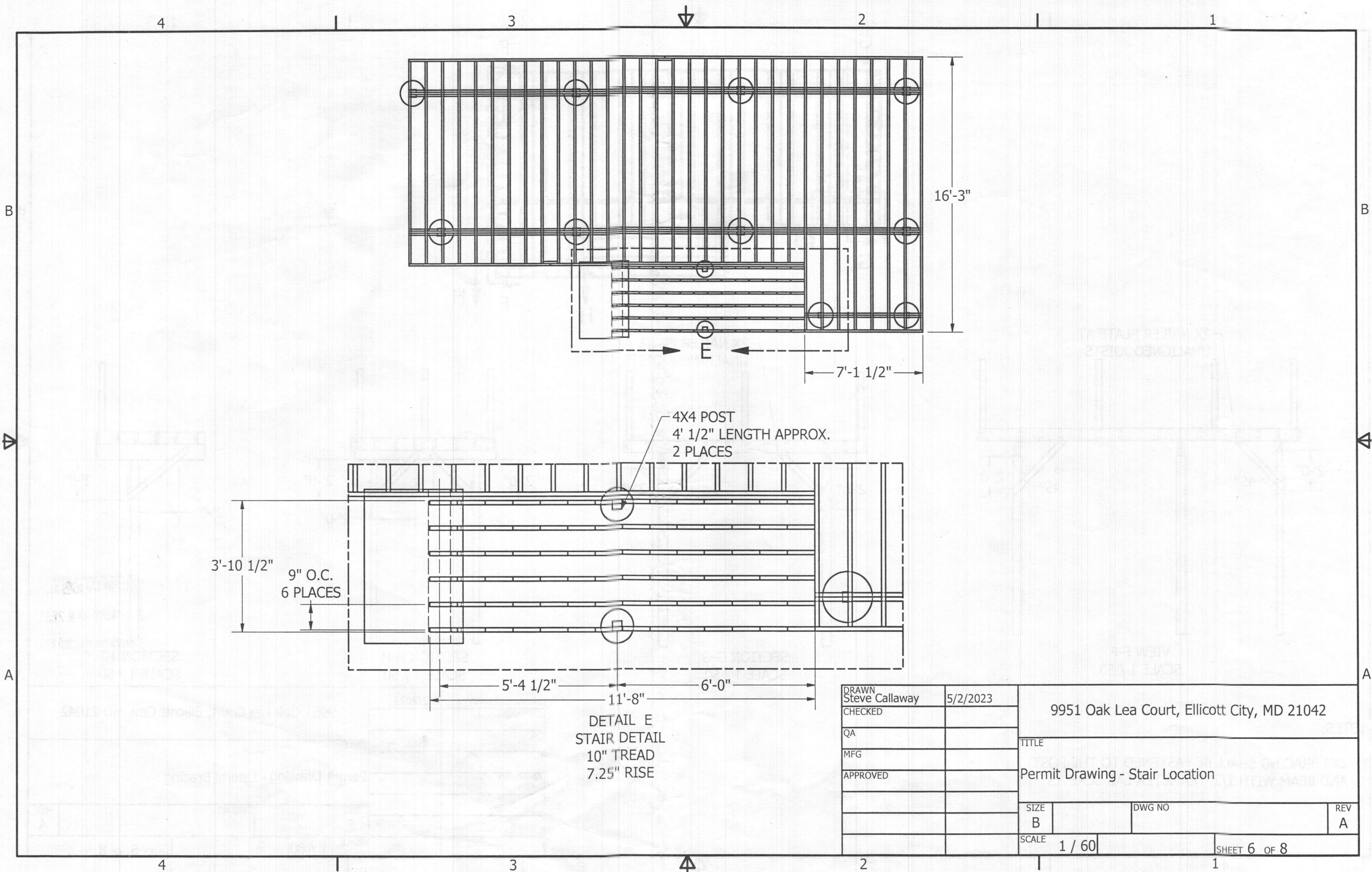
DRAWN Steve Callaway	5/2/2023	9951 Oak Lea Court, Ellicott City, MD 21042		
CHECKED		TITLE		
QA		Permit Drawing - Side Elevation		
MFG		SIZE	DWG NO	REV
APPROVED		B		A
		SCALE	1 / 30	SHEET 8 OF 8

HOUSE

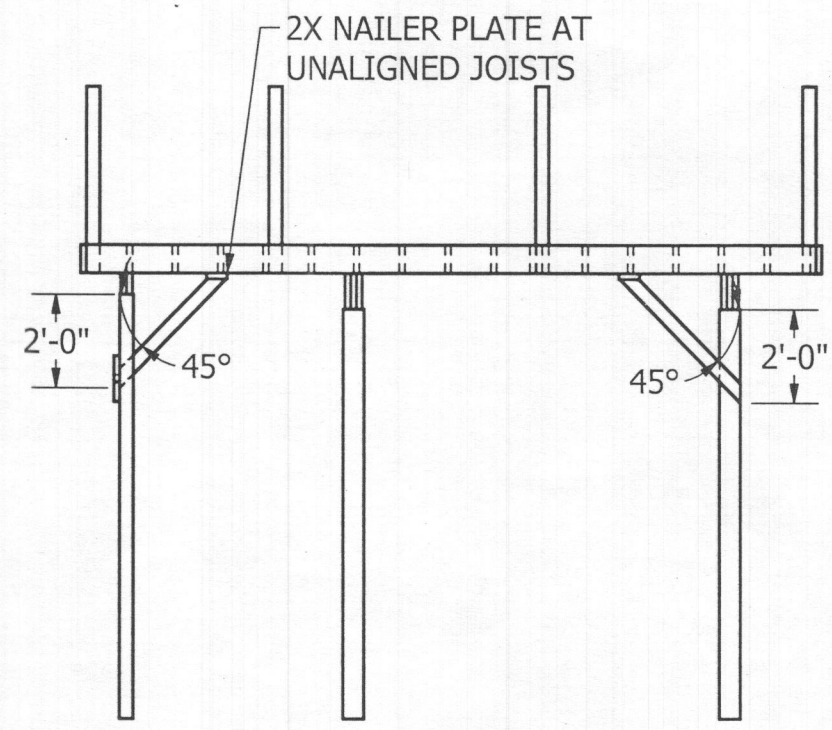
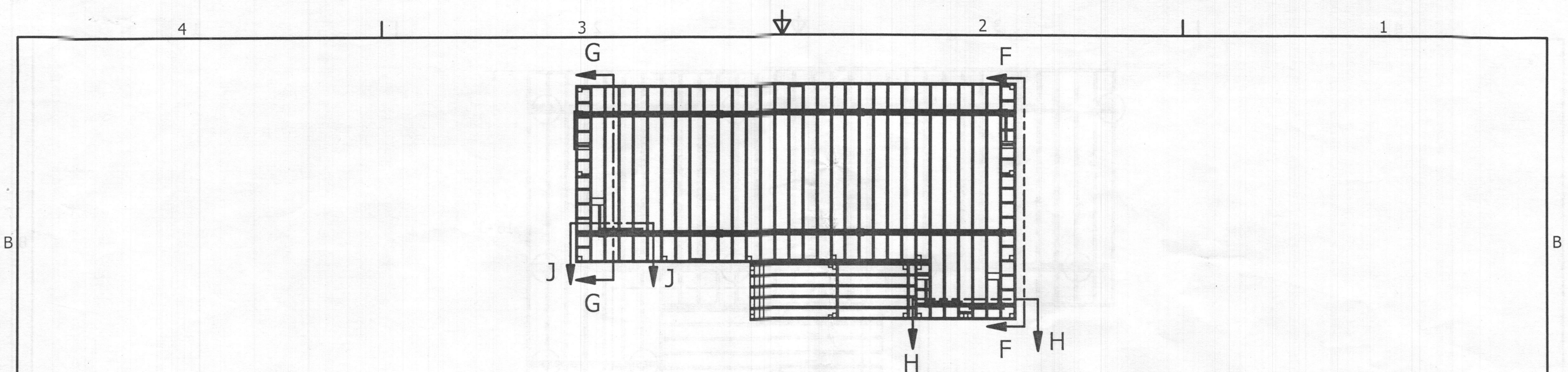



 MAY 08 2023
 Environmental

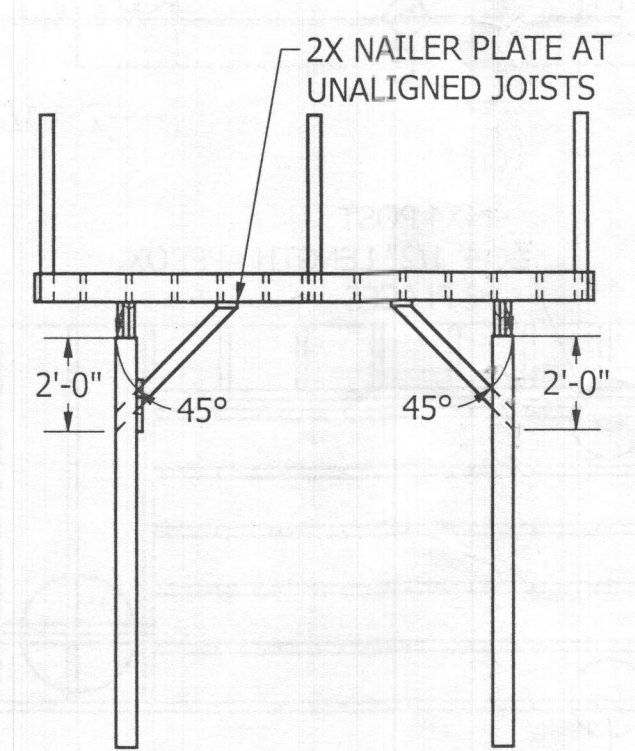
DRAWN Steve Callaway CHECKED QA MFG APPROVED	5/2/2023	9951 Oak Lea Court, Ellicott City, MD 21042	
		TITLE Permit Drawing - Front Elevation	
		SIZE B	DWG NO
		SCALE 1 / 30	REV A
		SHEET 7 OF 8	



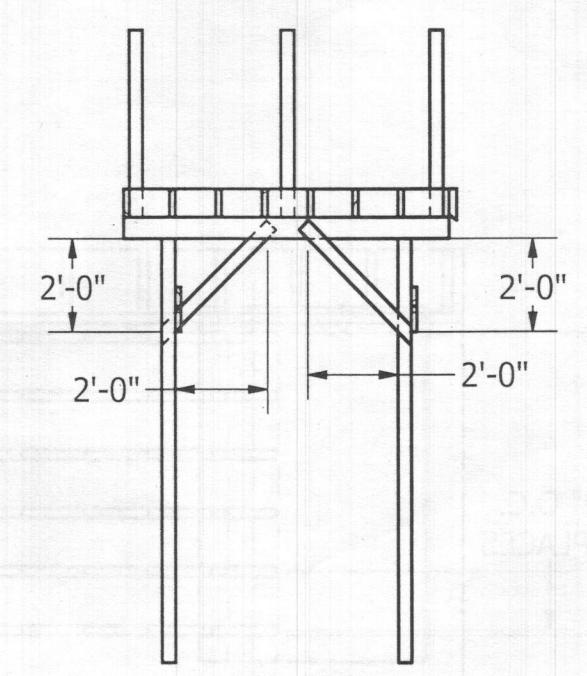
DRAWN Steve Callaway	5/2/2023	9951 Oak Lea Court, Ellicott City, MD 21042		
CHECKED		TITLE		
QA		Permit Drawing - Stair Location		
MFG		SIZE	DWG NO	REV
APPROVED		B		A
		SCALE	SHEET 6 OF 8	
		1 / 60		



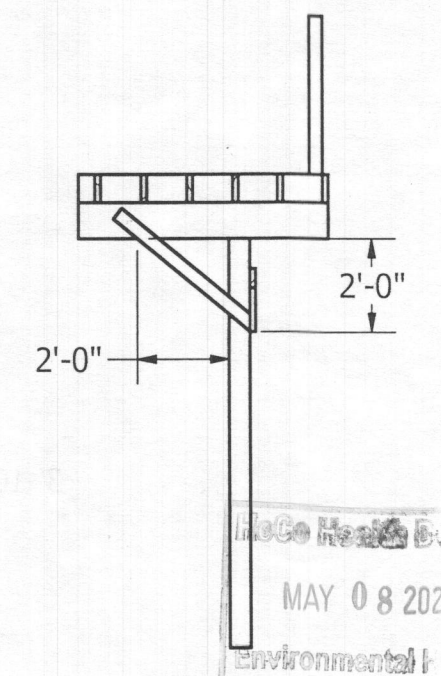
VIEW F-F
SCALE 1 / 50



SECTION G-G
SCALE 1 / 50



SECTION H-H
SCALE 1 / 50

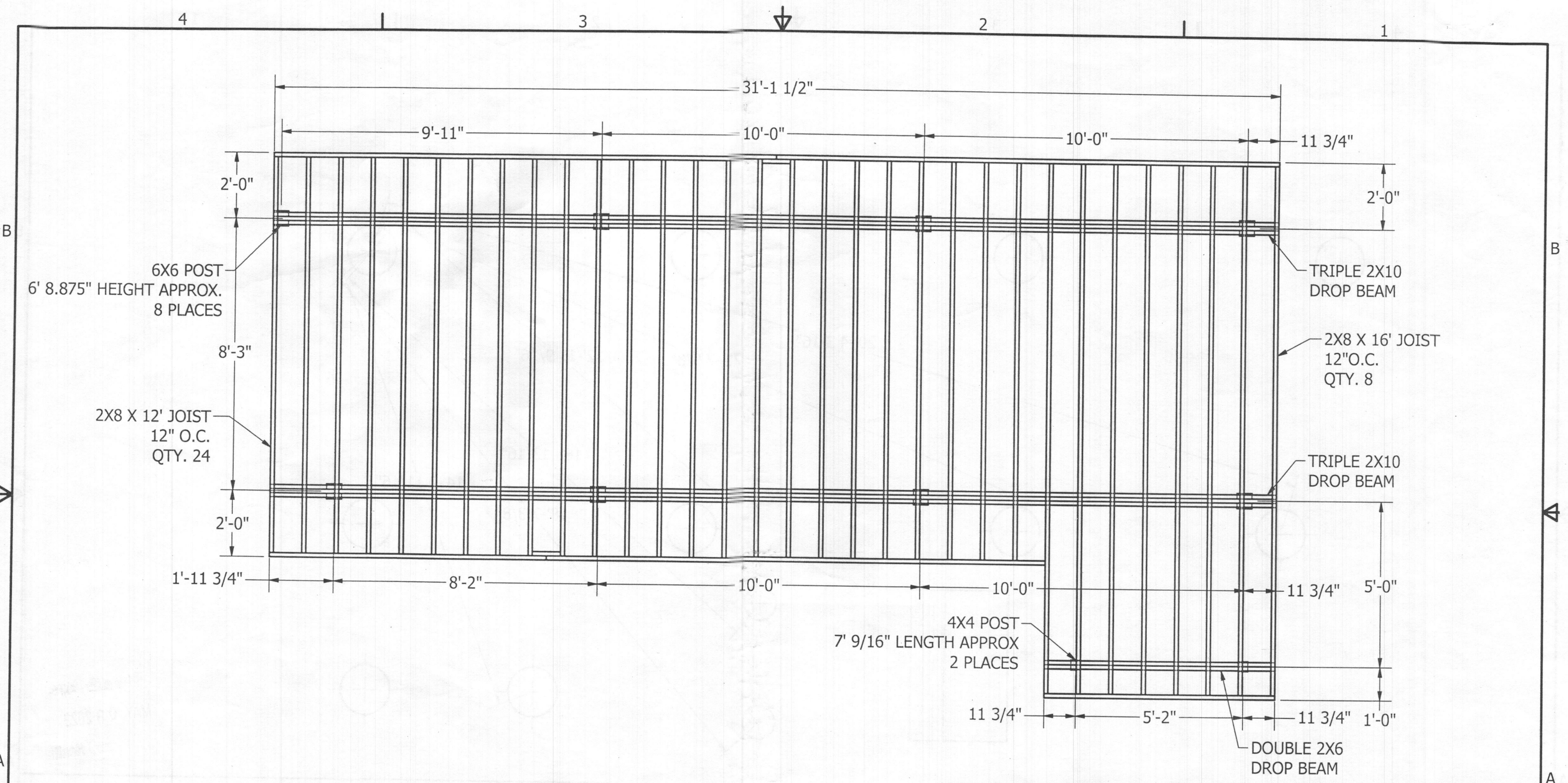


SECTION J-J
SCALE 1 / 50

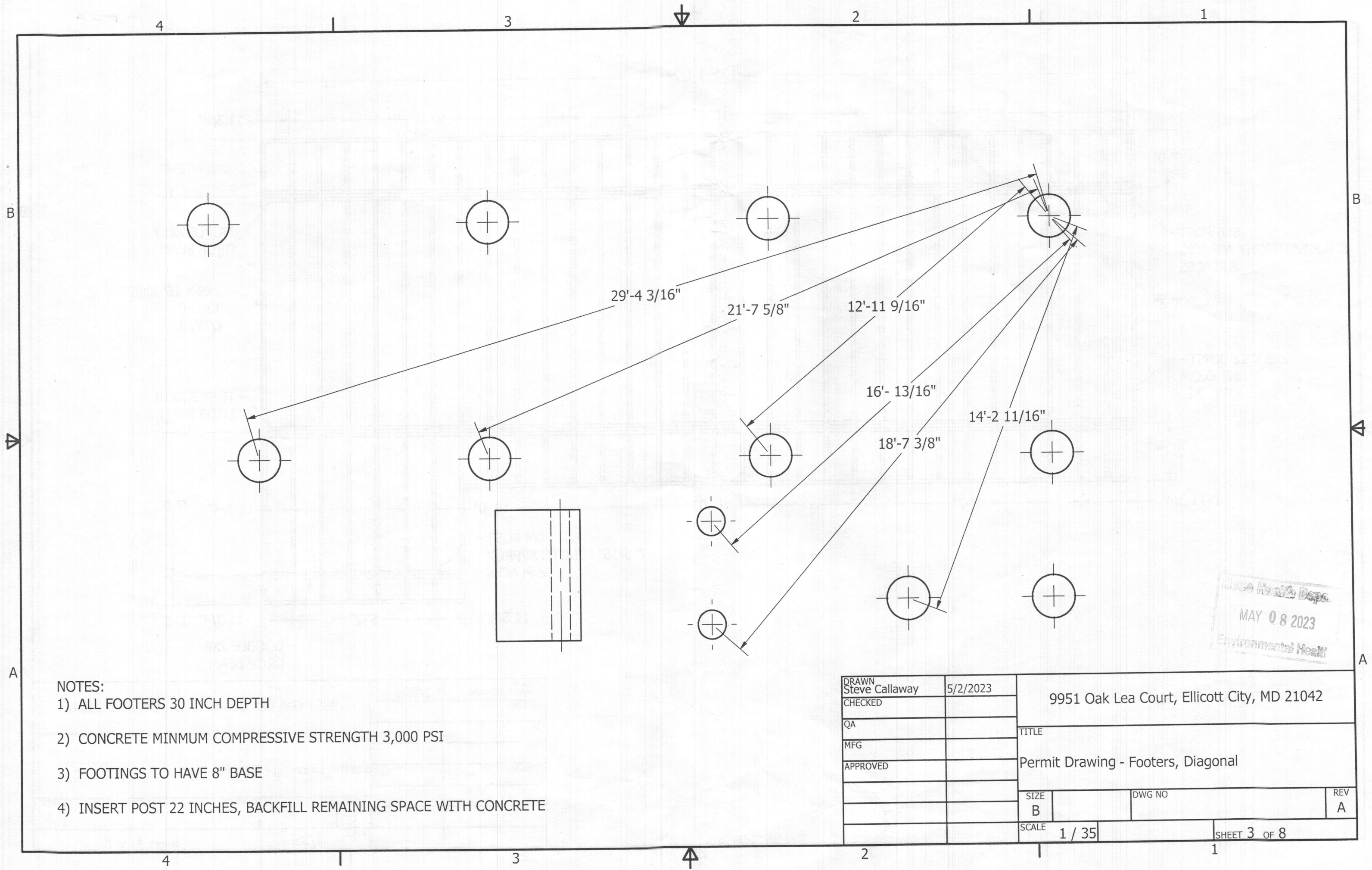
NOTES:
1) 2X4 BRACING SHALL BE FASTENED TO THE POST AND BEAM WITH 1/2" DIAMETER LAG SCREWS

DRAWN Steve Callaway	5/2/2023	9951 Oak Lea Court, Ellicott City, MD 21042		
CHECKED		TITLE		
QA		Permit Drawing - Lateral Bracing		
MFG		SIZE	DWG NO	REV
APPROVED		B		A
		SCALE	SHEET 5 OF 8	
		1 / 80		

May 08 2023
Environmental



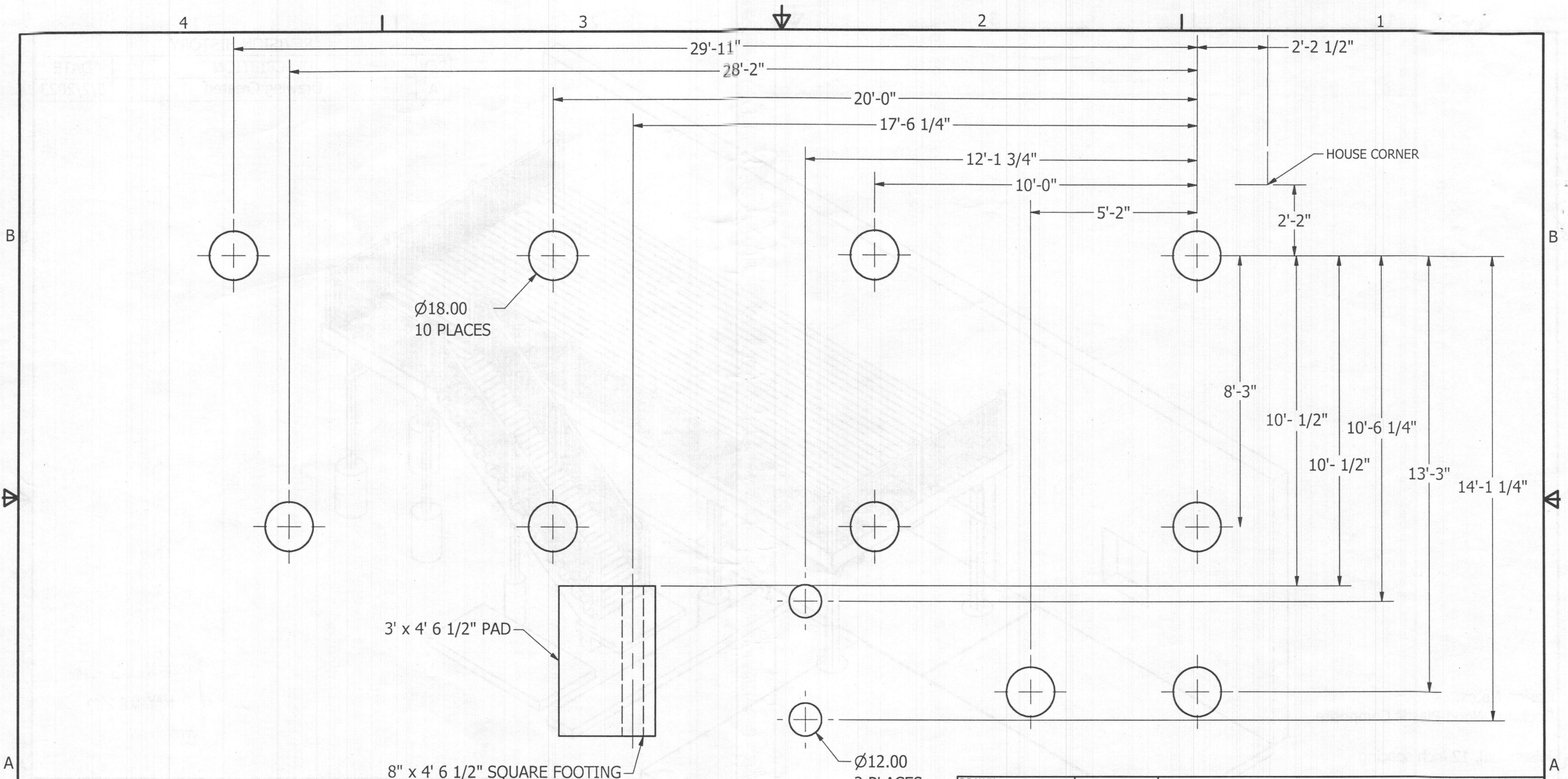
DRAWN Steve Callaway	5/2/2023	9951 Oak Lea Court, Ellicott City, MD 21042		
CHECKED		TITLE		
QA		Permit Drawing - Framing Plan		
MFG		SIZE	DWG NO	REV
APPROVED		B		A
		SCALE	1/35	SHEET 4 OF 8



- NOTES:
- 1) ALL FOOTERS 30 INCH DEPTH
 - 2) CONCRETE MINIMUM COMPRESSIVE STRENGTH 3,000 PSI
 - 3) FOOTINGS TO HAVE 8" BASE
 - 4) INSERT POST 22 INCHES, BACKFILL REMAINING SPACE WITH CONCRETE

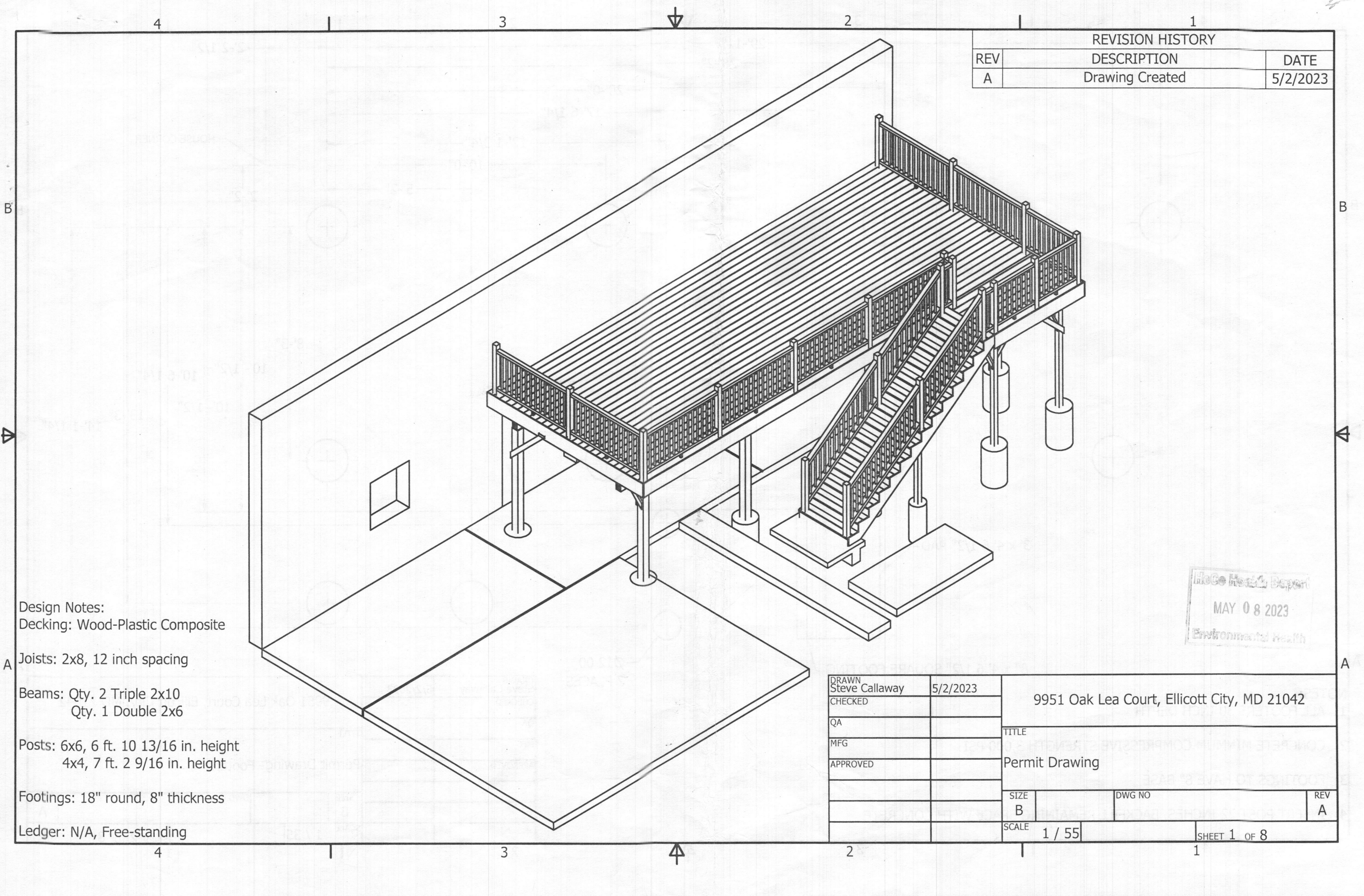
City of Ellicott City
 Health Dept.
 MAY 08 2023
 Environmental Health

DRAWN Steve Callaway	5/2/2023	9951 Oak Lea Court, Ellicott City, MD 21042		
CHECKED		TITLE		
QA		Permit Drawing - Footers, Diagonal		
MFG		SIZE	DWG NO	REV
APPROVED		B		A
		SCALE	1 / 35	SHEET 3 OF 8




- NOTES:
- 1) ALL FOOTERS 30 INCH DEPTH
 - 2) CONCRETE MINIMUM COMPRESSIVE STRENGTH 3,000 PSI
 - 3) FOOTINGS TO HAVE 8" BASE
 - 4) INSERT POST 22 INCHES, BACKFILL REMAINING SPACE WITH CONCRETE

DRAWN Steve Callaway	5/2/2023	9951 Oak Lea Court, Ellicott City, MD 21042		
CHECKED		TITLE		
QA		Permit Drawing - Footers		
MFG		SIZE	DWG NO	REV
APPROVED		B		A
		SCALE	1 / 35	SHEET 2 OF 8



REVISION HISTORY		
REV	DESCRIPTION	DATE
A	Drawing Created	5/2/2023

Design Notes:
 Decking: Wood-Plastic Composite
 Joists: 2x8, 12 inch spacing
 Beams: Qty. 2 Triple 2x10
 Qty. 1 Double 2x6
 Posts: 6x6, 6 ft. 10 13/16 in. height
 4x4, 7 ft. 2 9/16 in. height
 Footings: 18" round, 8" thickness
 Ledger: N/A, Free-standing


 MAY 08 2023
 Environmental Health

DRAWN Steve Callaway	5/2/2023	9951 Oak Lea Court, Ellicott City, MD 21042		
CHECKED		TITLE		
QA		Permit Drawing		
MFG		SIZE	DWG NO	REV
APPROVED		B		A
		SCALE	SHEET 1 OF 8	
		1 / 55		