



**Howard County
Health Department**

Bureau of Environmental Health
8930 Stanford Boulevard, Columbia, MD 21045
Main: 410-313-2640 | Fax: 410-313-2648
TDD 410-313-2323 | Toll Free 1-866-313-6300
www.hchealth.org
Facebook: www.facebook.com/hocohealth

Maura J. Rossman, M.D., Health Officer

RECEIPT DATE: 2/22/2024 **ONSITE SEWAGE DISPOSAL SYSTEM** P 575796

APPROVAL DATE: 3/1/2024 **PERMIT: NEW CONSTRUCTION** A _____

PROPERTY ADDRESS: 11927 Meadow Vista Way

SUBDIVISION: Clearview Est. LOT: 22 TAX ID: 05-409063

CONTRACTOR: R E Chief Septic LLC EMAIL: ejuanete@gmail.com

CONTRACTOR ADDRESS: 2502 Gillis Rd, Mt Airy, MD 21771 PHONE: 410-635-3237

PROPERTY OWNER: Krishna Abbinav EMAIL: n/a

OWNER ADDRESS: Same as above PHONE: n/a

SEPTIC TANK SIZE: Existing PUMP SIZE: n/a PUMP TANK CAPACITY: n/a

DISTRIBUTION SYSTEM: GRAVITY DRIP DISPERSAL BEDROOMS: 6 APPLICATION RATE: 0.8

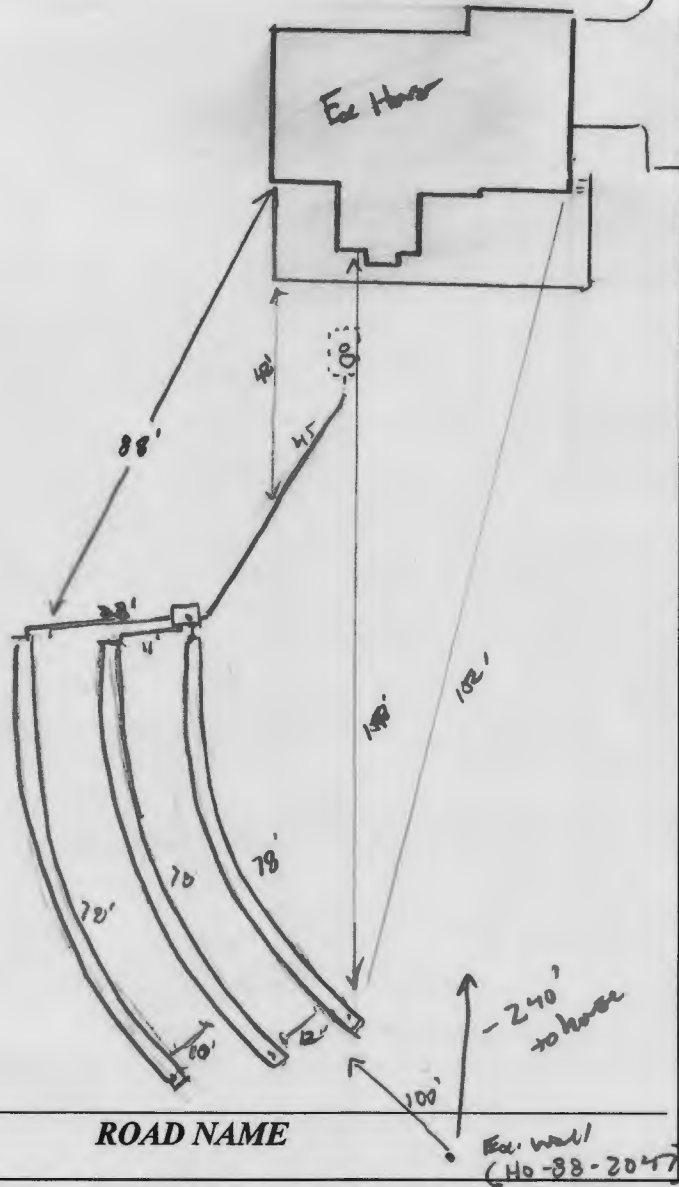
TRENCHES:	LINEAR FEET REQUIRED: <u>234</u>	INLET DEPTH: <u>4</u>
	TRENCH WIDTH: <u>3</u>	MAXIMUM BOTTOM DEPTH: <u>8</u>
	MINIMUM SPACE BETWEEN TRENCHES: <u>9</u>	EFFECTIVE AREA BEGINNING DEPTH: <u>6</u>
LOCATION:	SYSTEM TO BE STAKED BY DESIGNER AND VERIFIED BY APPROVING AUTHORITY DURING PRE-CONSTRUCTION INSPECTION.	
NOTES:	Install system per approved design plans.	

ISSUED BY: Kevin M. Wolf, L.E.H.S. ISSUE DATE: 2/23/2024 EXPIRATION DATE: 2/23/2025

- NOTE: CONTRACTOR MUST SCHEDULE A PRE-CONSTRUCTION INSPECTION PRIOR TO BEGINNING ANY INSTALLATION
- NOTE: CONTRACTOR REGISTERED WITH THE STATE OF MD ON-SITE WASTEWATER PROFESSIONALS BOARD: CONFIRMED
- NOTE: CONTRACTOR MUST SCHEDULE AN INSPECTION AND GAIN APPROVAL OF ALL COMPONENTS PRIOR TO COVERING
- NOTE: STONE MUST BE APPROVED BY HEALTH DEPARTMENT AND GRAVEL TICKET MUST BE AVAILABLE FOR REVIEW.
- NOTE: WATERTIGHT SEPTIC TANKS REQUIRED
- NOTE: ALL PARTS OF SEPTIC SYSTEM SHALL BE AT LEAST 100 FEET DOWNGRADE FROM ANY WATER WELL
- NOTE: MANHOLE RISERS REQUIRED ON ALL SEPTIC TANKS AND PUMP CHAMBERS
- NOTE: AN ELECTRICAL PERMIT IS REQUIRED FOR INSTALLATION OF ANY ELECTRICAL COMPONENTS OF THE SYSTEM
 ELECTRICAL PERMIT ISSUED E n/a
- NOTE: THE HCHD DOES NOT WARRANT ANY SYSTEM AND CANNOT GUARANTEE THE PERFORMANCE OF THIS SYSTEM AS DESIGNED. BY ACCEPTING THIS PERMIT, THE OWNER AND/OR APPLICANT ACKNOWLEDGE THAT THE SPECIFICATIONS DETAILED IN THIS DESIGN ARE ONE POSSIBLE OPTION AND THAT THE HCHD WILL REVIEW OTHER PROPOSALS. YOU HAVE THE OPTION TO SEEK THE ADVICE OF A QUALIFIED DESIGN CONSULTANT OR PROFESSIONAL ENGINEER FOR FURTHER GUIDANCE.
- NOTE: AN INDIVIDUAL CERTIFIED BY MDE AND THE MANUFACTURER FOR BAT INSTALLATION MUST BE PRESENT AT ALL TIMES DURING BAT INSTALLATION.
- NOTE: MDE RECOMMENDS SEPTIC TANKS, BAT, AND OTHER PRETREATMENT UNITS BE PUMPED AT A FREQUENCY ADEQUATE TO ENSURE THAT SOLIDS ARE NOT DISCHARGED TO THE DISPOSAL AREA

**NEITHER THE HOWARD COUNTY COUNCIL NOR THE HEALTH DEPARTMENT IS RESPONSIBLE FOR THE SUCCESSFUL OPERATION OF ANY SYSTEM.
PERMITTEE RESPONSIBLE FOR OBTAINING FINAL APPROVAL ON THIS PERMIT.
CALL 410-313-1771 TO SCHEDULE INSPECTIONS.**

NOT TO SCALE



TRENCH/DRAINFIELD DATA		
WIDTH	INLET	BOTTOM
<u>3</u>	<u>4</u>	<u>8'</u>
NUMBER OF TRENCHES	<u>3</u>	
TOTAL LENGTH	<u>234</u>	
ABSORPTION AREA	<u>234 ksw</u>	
DISTRIBUTION BOX LEVEL	<u>Yes</u>	
DISTRIBUTION BOX BAFFLE	<u>Yes</u>	
DISTRIBUTION BOX PORT	<u>Yes</u>	

SEPTIC TANK DATA	
SEPTIC TANK 1 LEVEL	<u>Yes</u>
MANUFACTURER	<u>N/A</u>
CAPACITY	<u>1250</u> GAL
SEAM LOC	<u>Mid</u>
TANK LID DEPTH	<u>12"</u>
BAFFLES	<u>Yes</u>
BAFFLE FILTER	<u>—</u>
MANHOLE LOC	<u>Center</u>
6" PORT LOC	<u>Front</u>
WATERTIGHT TEST	<u>OK</u>
SLOTTED	<u>NO</u>
DATE ON LID	<u>N/A</u>
PUMP/SEPTIC TANK LEVEL	
MANUFACTURER	_____
CAPACITY	_____ GAL
SEAM LOC	_____
TANK LID DEPTH	_____
BAFFLES	_____
BAFFLE FILTER	_____
MANHOLE LOC	_____
6" PORT LOC	_____
WATERTIGHT TEST	_____
SLOTTED	_____
DATE ON LID	_____

SEPTIC CONTRACTOR ONSITE INSTALLING SYTEM: Juan Vazquez
 SEPTIC CONTRACTOR ONSITE LICENSED WITH THE STATE OF MD: YES NO

CONTROL PANEL DATA	
CONTROL PANEL HEIGHT	_____ (MIN 30")
INSPECTION DATE	_____
INSPECTION: PASS/FAIL (CIRCLE ONE)	

PRE-CONSTRUCTION NOTES:
2/22/2024 Design plan approved Permit received

INSTALLATION NOTES:
2/29/2024 (late pm) Trip not called in. Installer called and 2:45 pm
Dbox set w/ new re-graded planing, trench installed, started on
middle trench. due to contractor
2/11/2024 4.5' inlet on 1st trench, middle and lower trench 4'. OK
to cover all works

FINAL INSPECTOR [Signature] DATE OF APPROVAL 3/7/2024

Proposed septic system replacement

Notes:

The intention of this proposal is to replace the failed septic system and to serve the 6 bedroom house as per permit number 6XXXXX

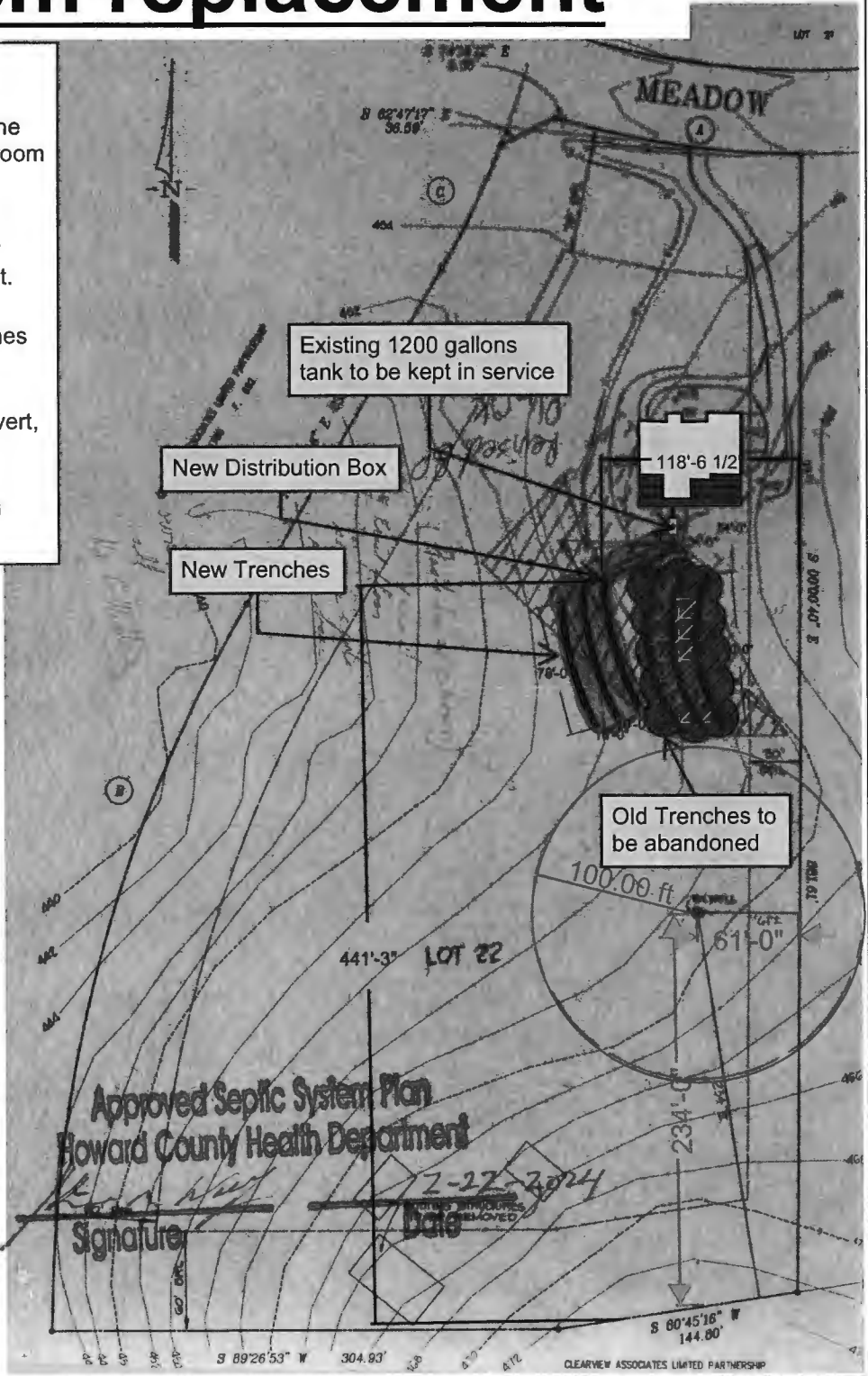
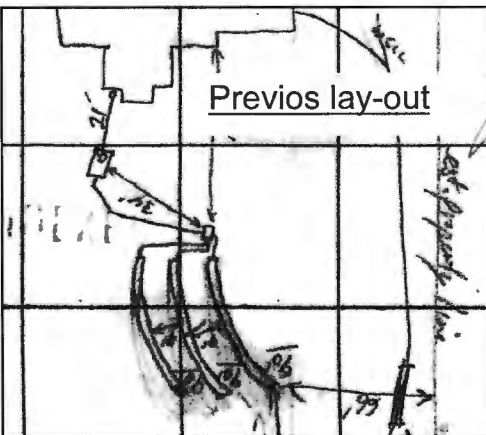
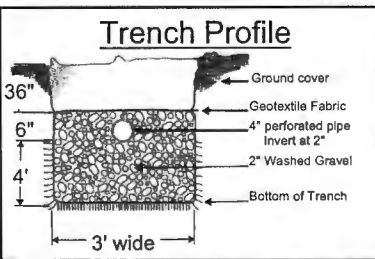
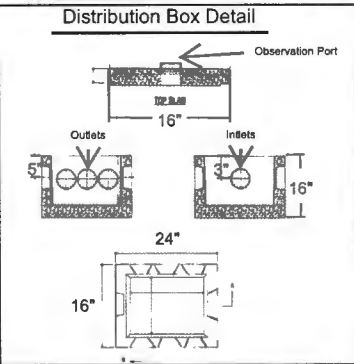
Septic Tank Detail:

- 1250 gallons single compartment mid-sime tank was found NO leaking and is to be kept.
- Existing trenches to be abandoned.
- New distribution box to connect new trenches with equal distribution.

Drainfield Detail:

(3) 78' trenches (total of 234'), 3' wide, 4' invert, 4' of gravel with 8' bottom

No neighbor well or aquifer within 100'



Project Name

SHABY KRISHNA
11927 MEADOW VISTA WAY
CLARKSVILLE MD 21029
CARROLL COUNTY
MARYLAND 21771

Shaby Krishna 410-875-2323

Design By

Juan Uzcategui
R&E Chief Septic LLC
ejuanete@gmail.com
410-977-9523

Reviews

-Comments reviewed
2-21-2024

Date: 2-22-2024
scale 1"=100'

Drawing ID: Krishna01
page 1 of 1

