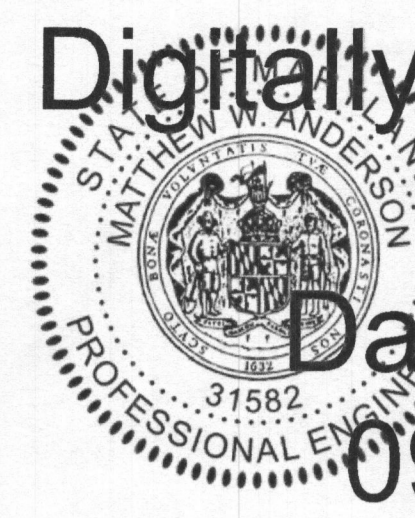
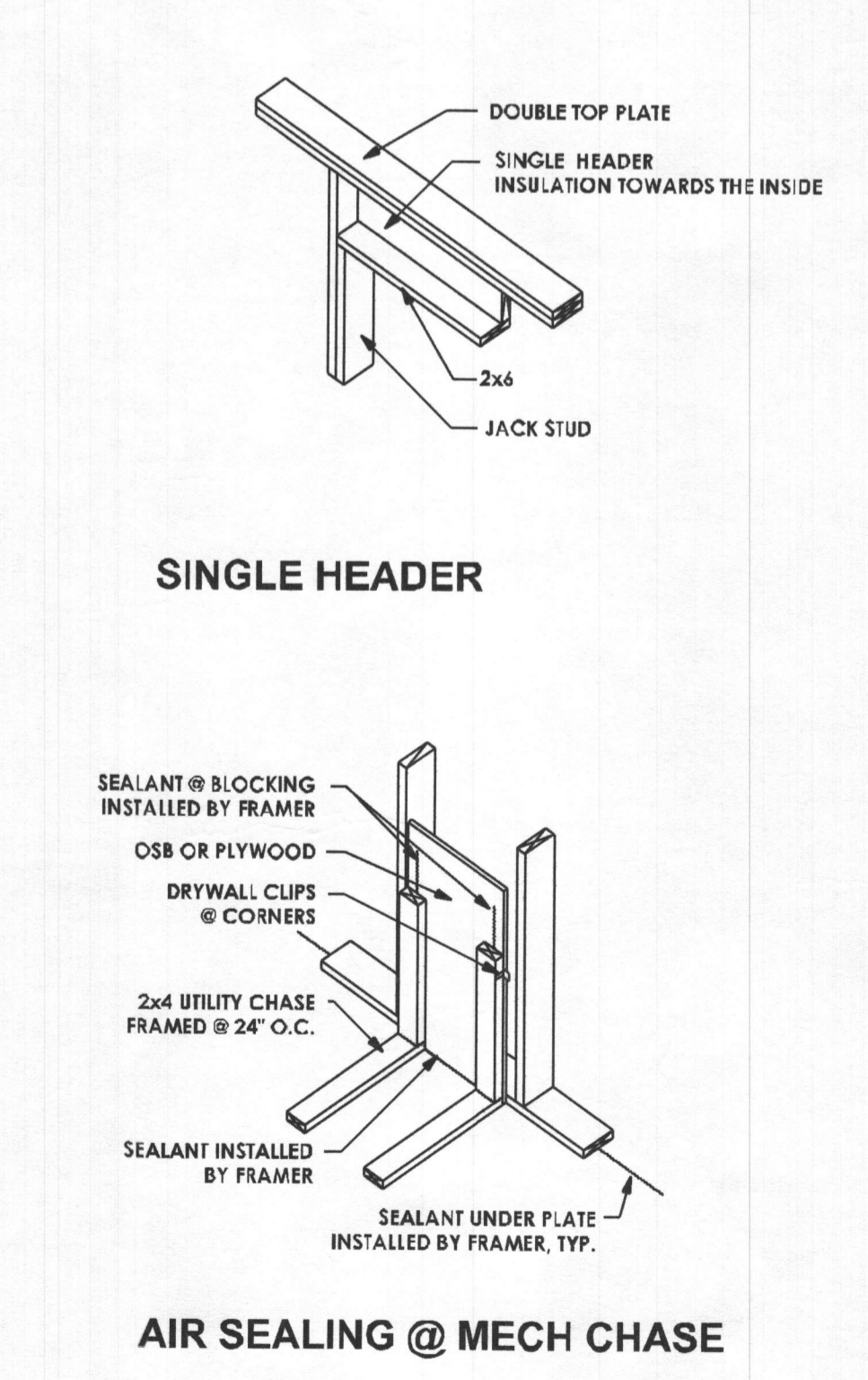
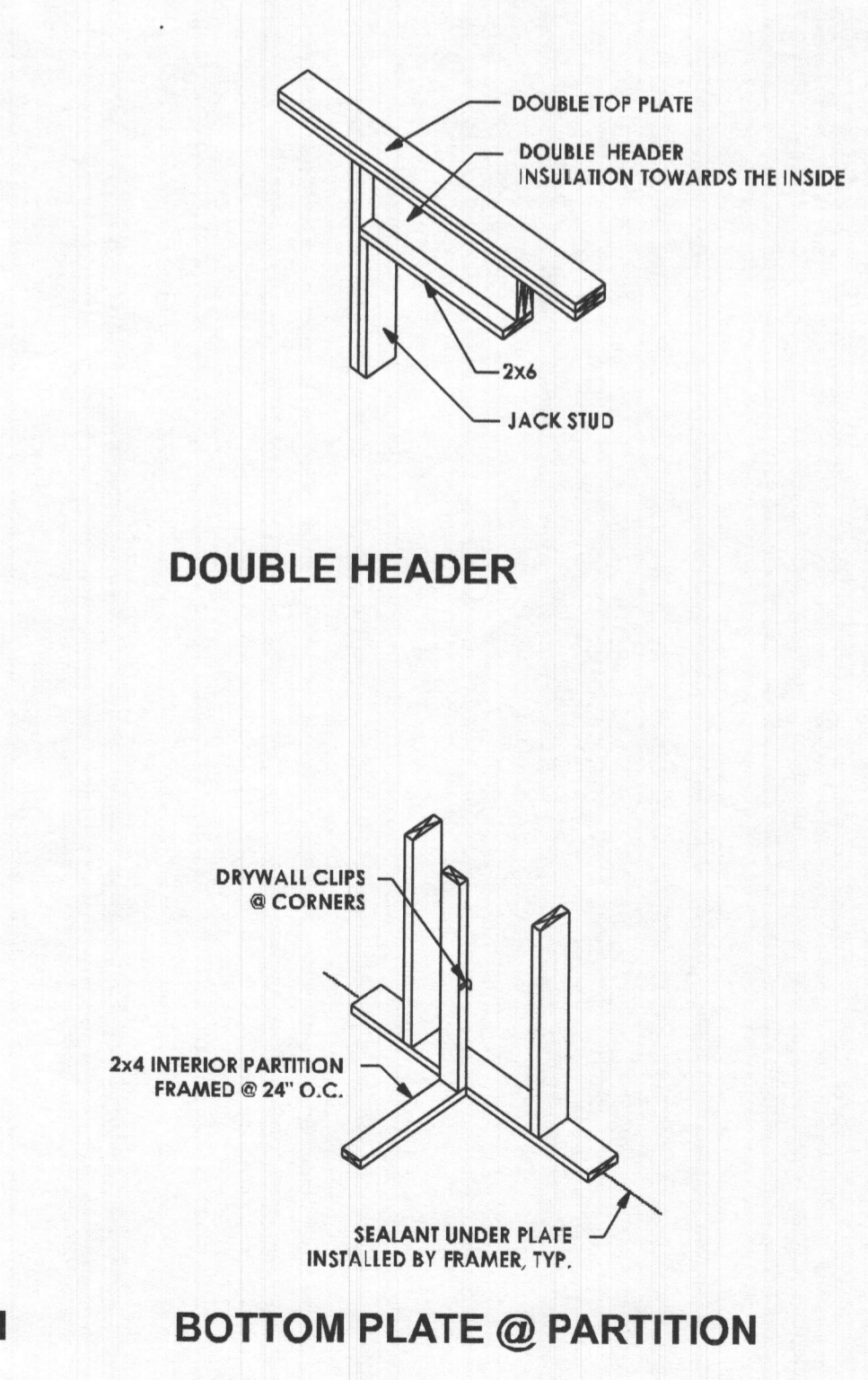
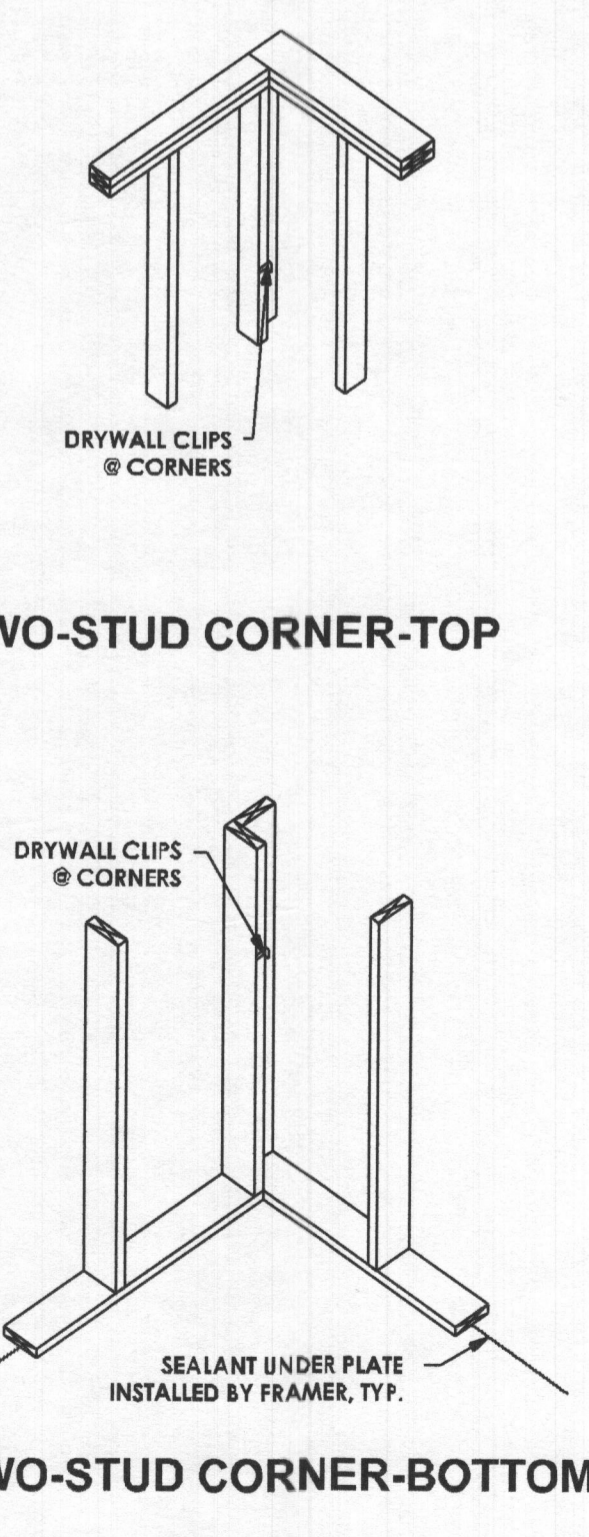
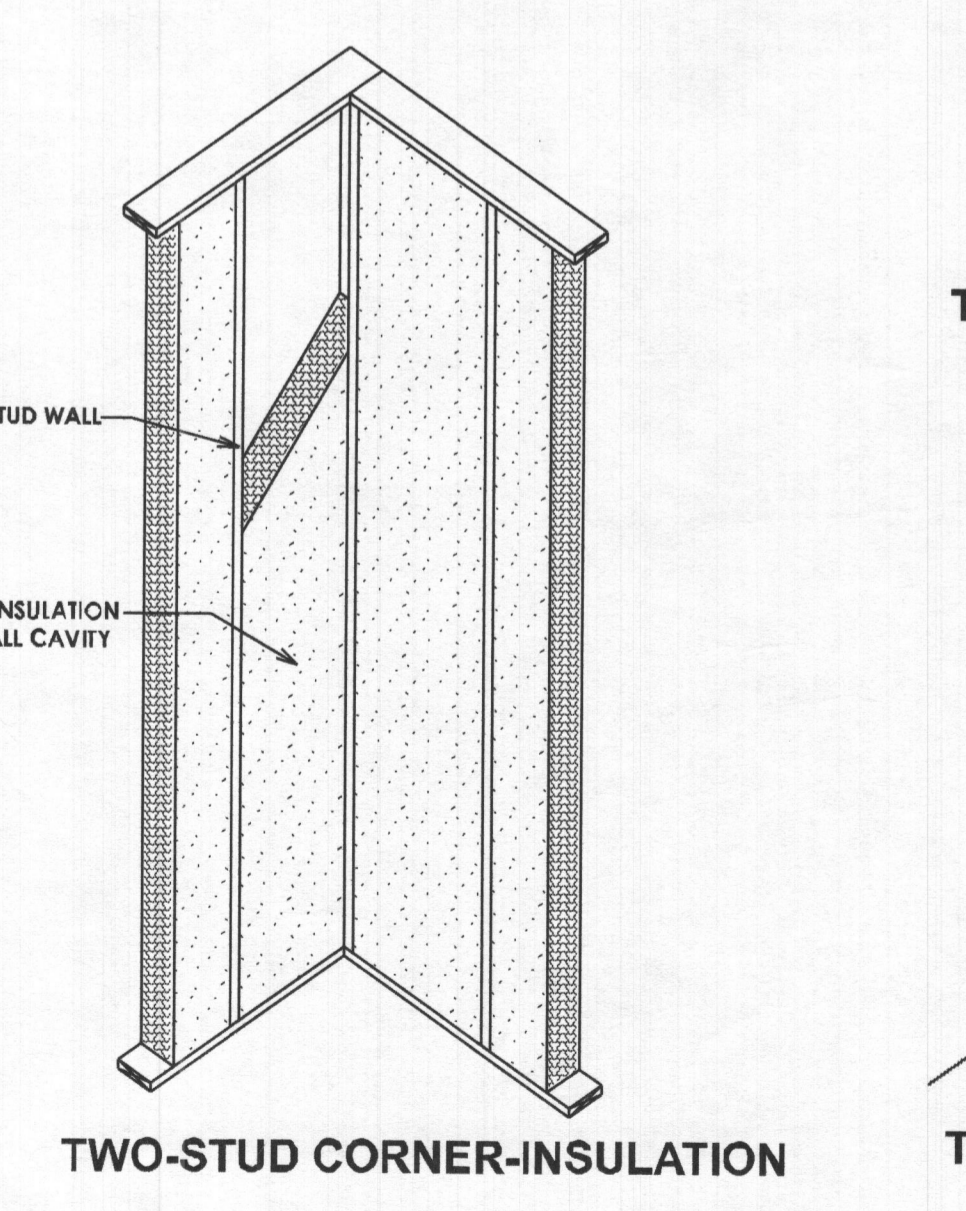
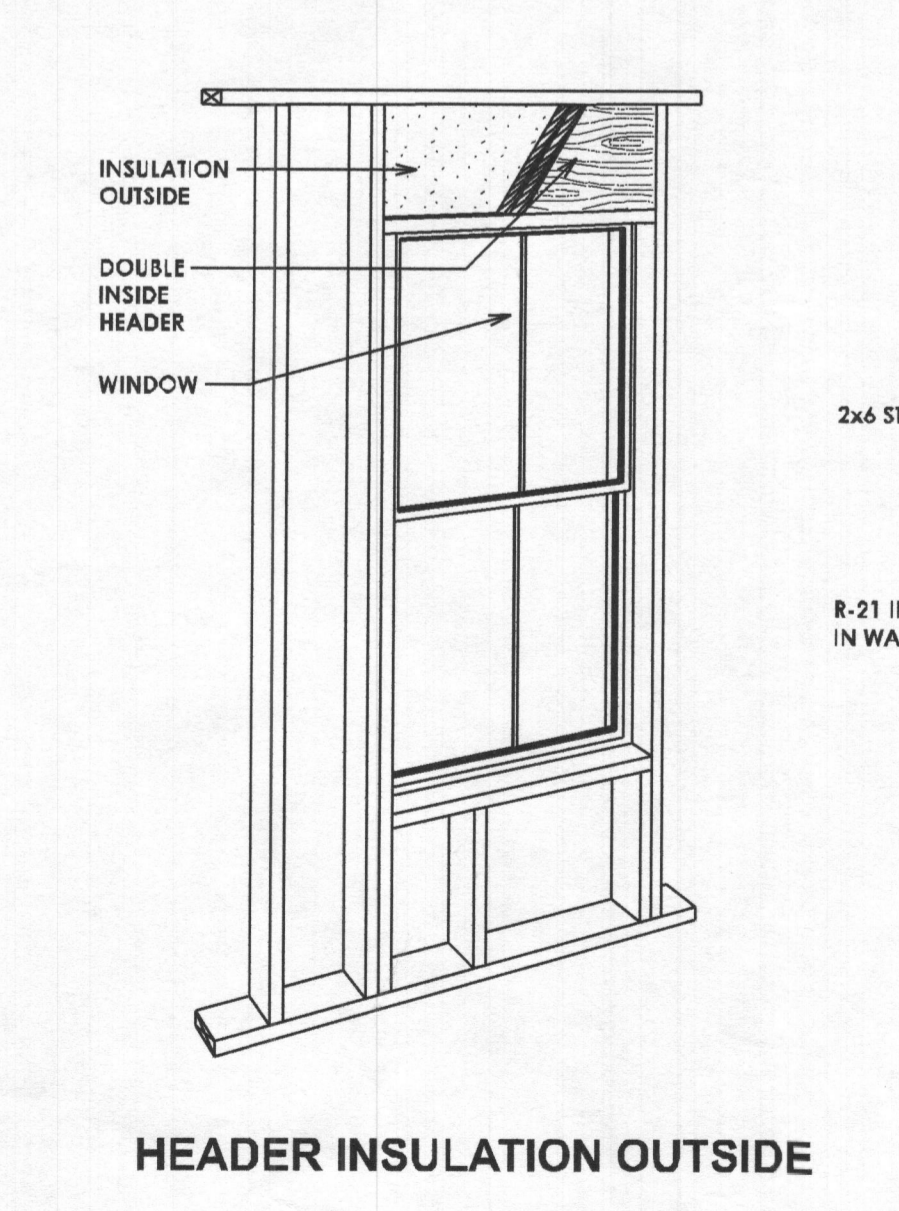
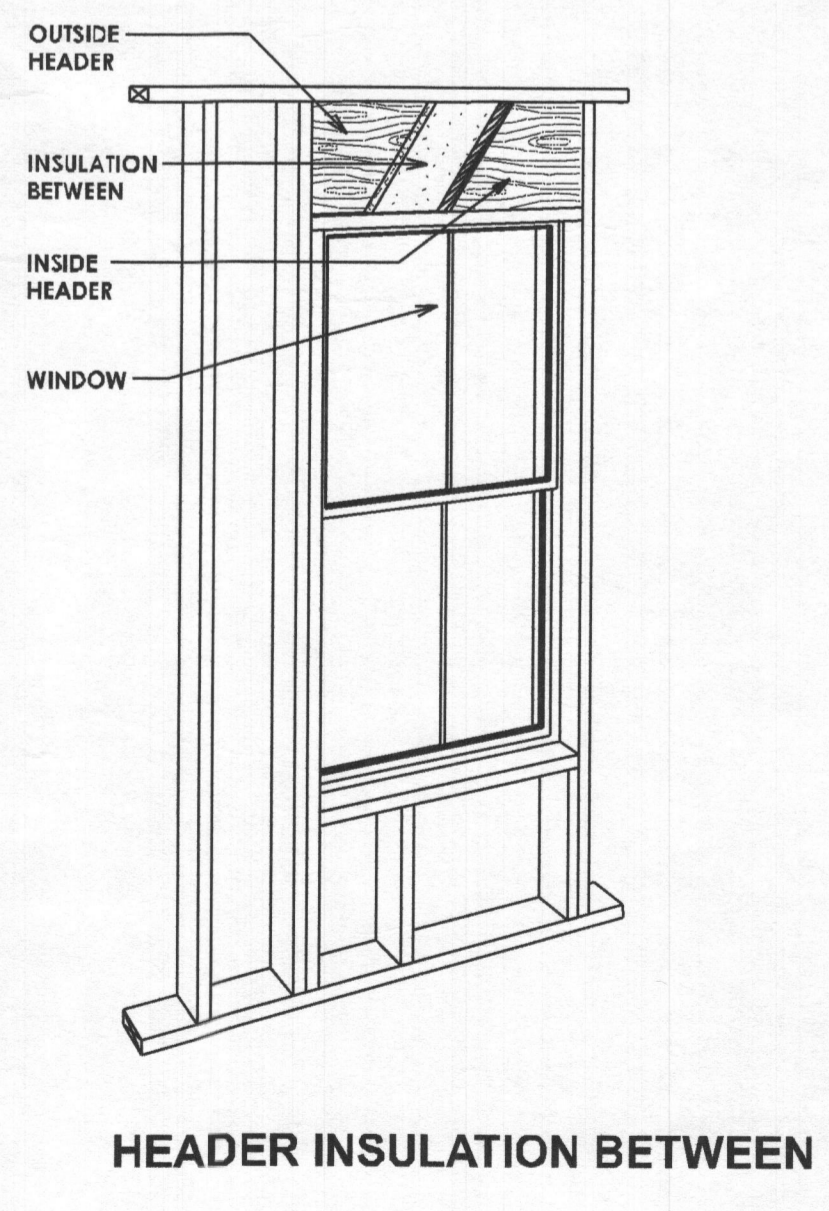
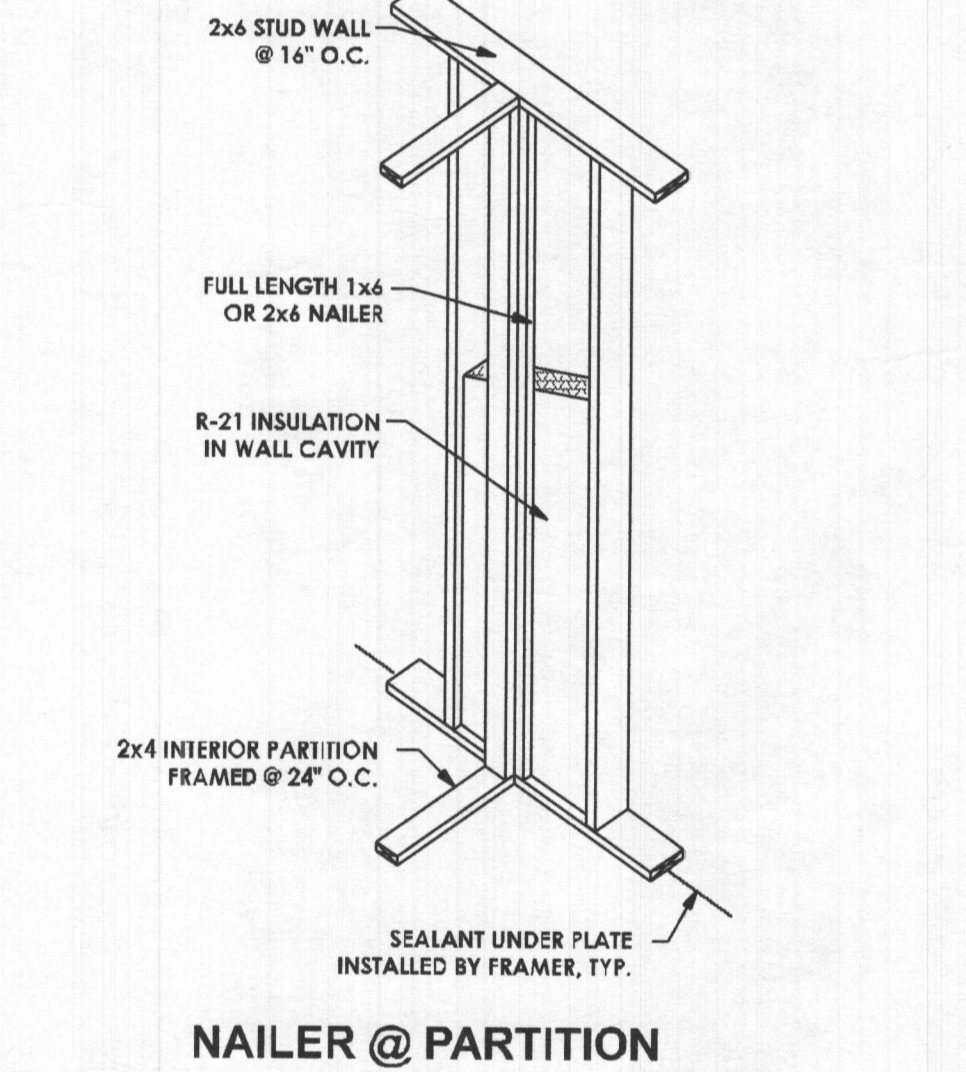
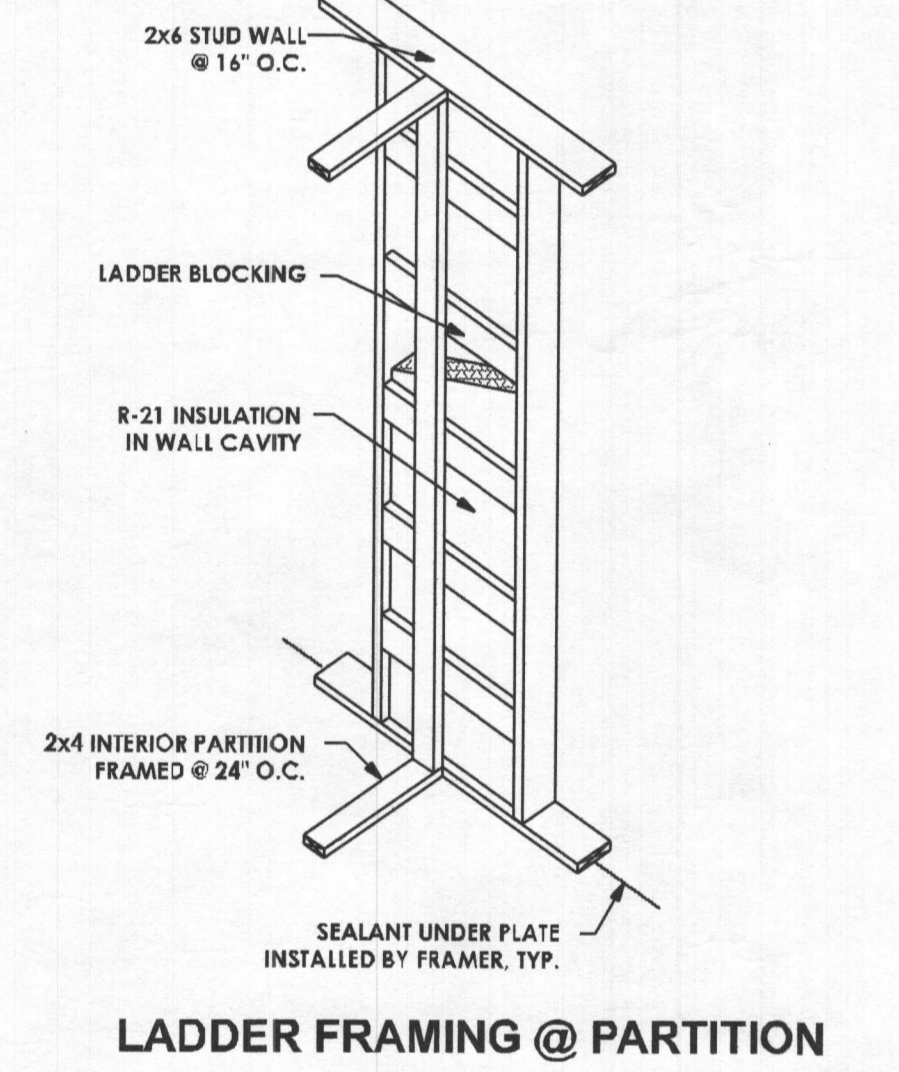
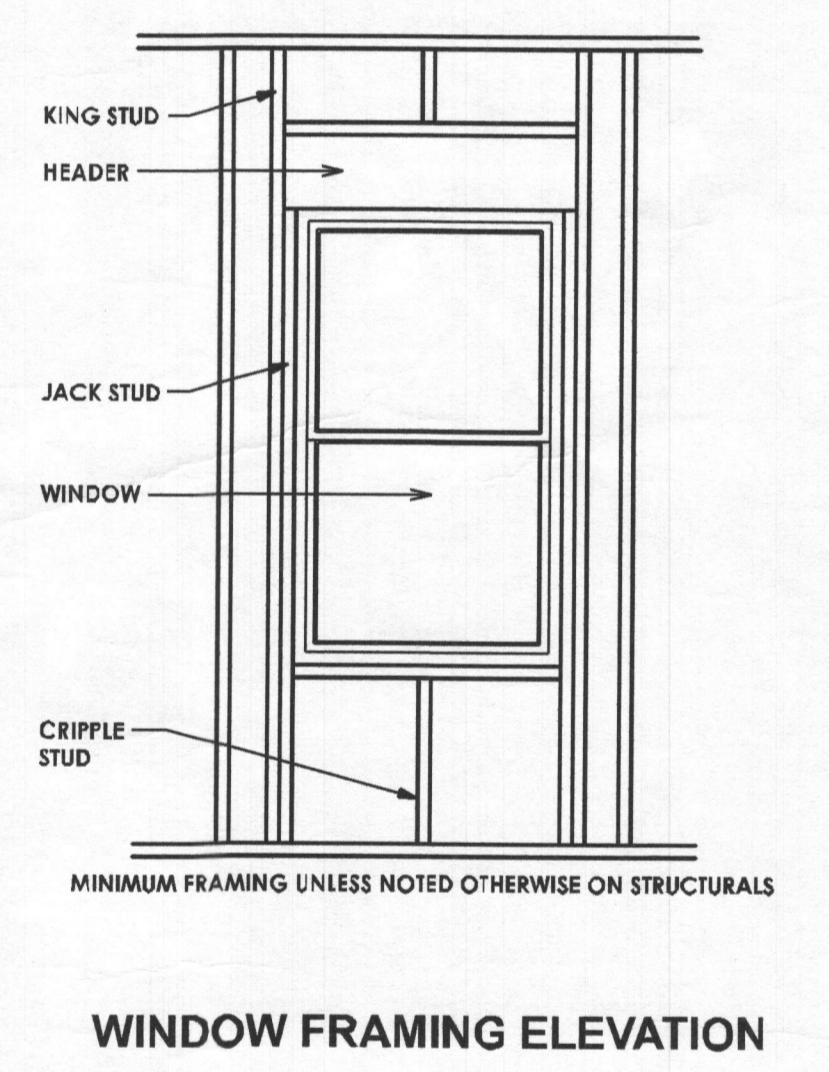
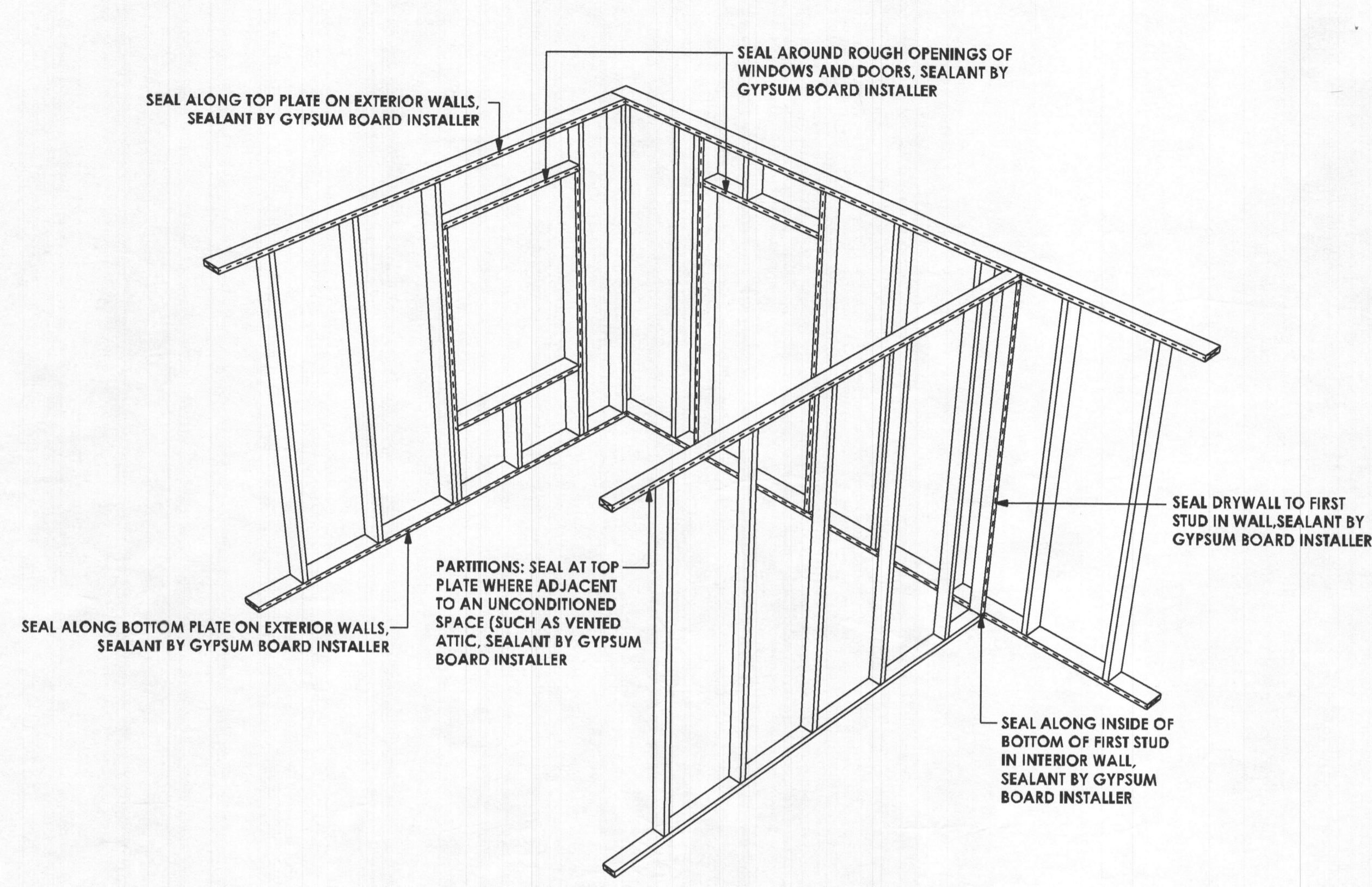
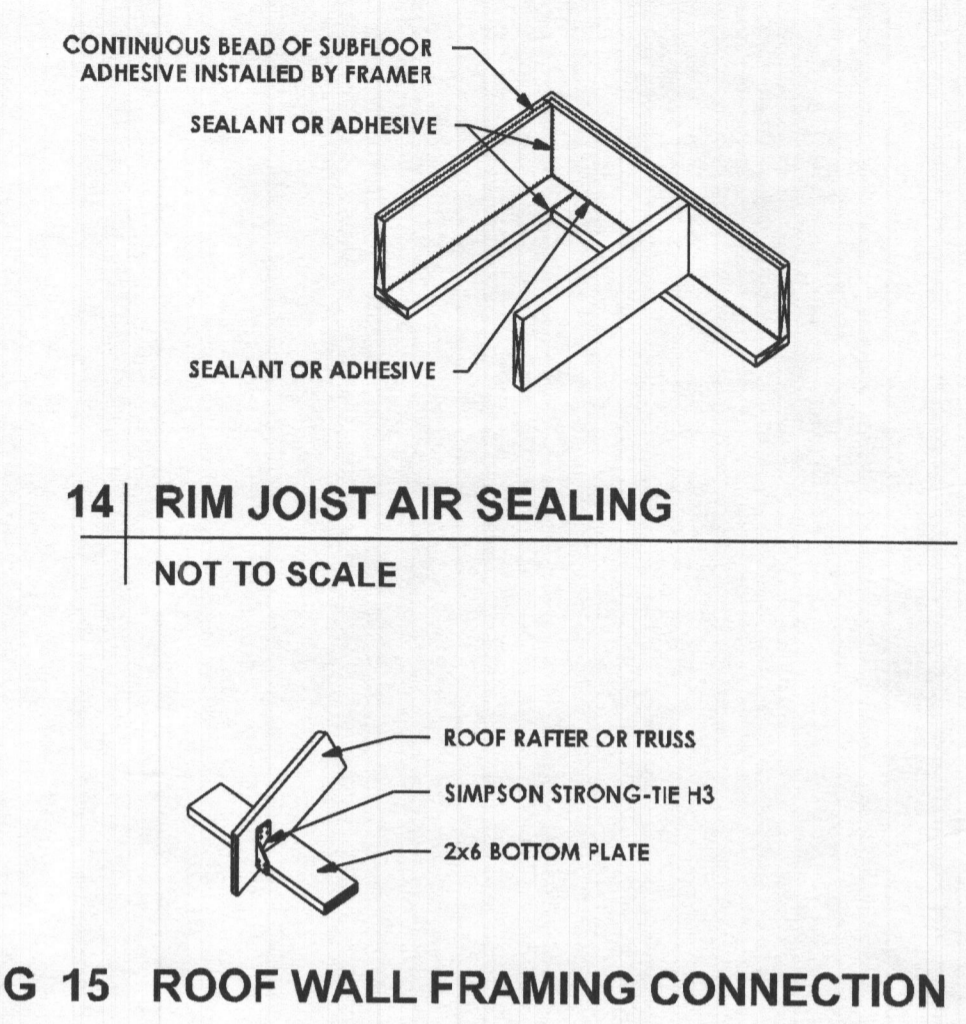
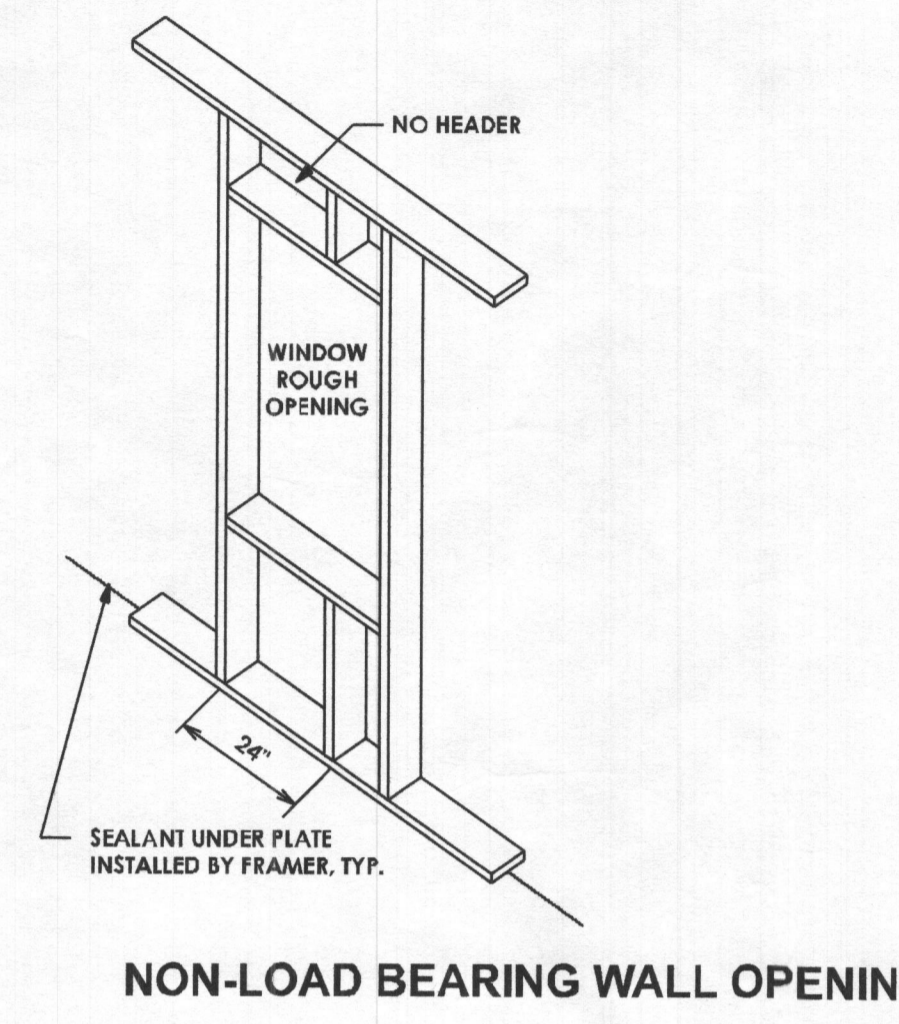
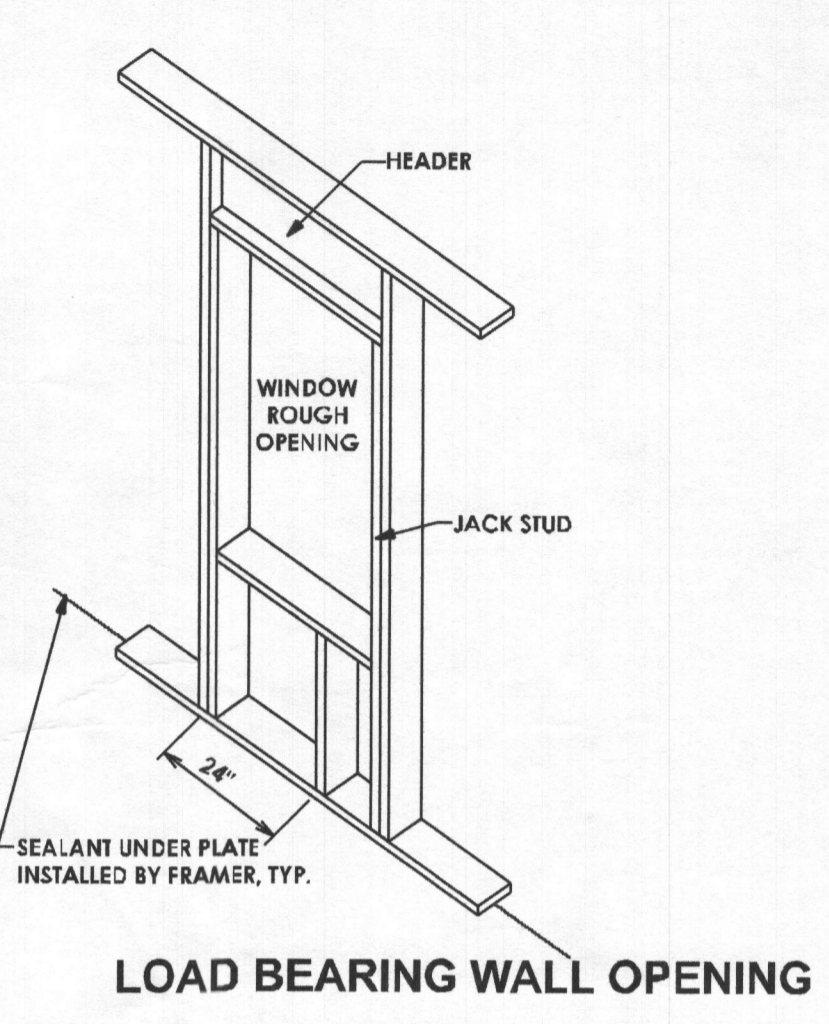


Digitally signed by Matthew W Anderson
 Date: 2023.04.07 09:01:17-04'00'



Professional Certification: I certify that these documents were prepared or approved by me, and that I am a duly licensed professional engineer under the laws of the State of Maryland, License No. 31582, Expiration Date: 04/07/2025.

NOTE: ALL LOAD BEARING STUD WALLS TO BE DOUBLE TOP PLATE PER WALL SECTIONS



PROFESSIONAL CERTIFICATION
 I certify that these documents were prepared or approved by me, and that I am a duly licensed professional architect under the laws of the State of Maryland, License Number #14678, Expiration Date: 6/30/2024

WARNING: THIS DOCUMENT IS AN INSTRUMENT OF PROFESSIONAL SERVICE PREPARED BY JONATHAN RIVERA ARCHITECT. ALLOCATION OF THIS DOCUMENT BY ANY PARTY OTHER THAN JONATHAN RIVERA ARCHITECT IS A VIOLATION OF LAW THAT WILL BE PROSECUTED TO THE FULLEST EXTENT.
 Copyright © 2009 Jonathan Rivera Architect All Rights Reserved

PROPOSED DETACHED GARAGE

HASLBECK RESIDENCE
 15049 Double Bridges Court
 Glenelg, Maryland 21177

ARCHITECT
 Jonathan Rivera AIA, NCARB
 Howard County, Maryland

443.226.5745
 jrvera@jonathanrivera.com

STRUCTURAL ENGINEER
 Spoint1 Engineering
 68 West Main Street
 New Market, Maryland

(240) 822-3016
 info@spoint1.com

BUILDER
 Randy Keiser
 MOST, INC.
 GENERAL CONTRACTOR

7203 BELAIR ROAD
 BALTIMORE, MD 21206-1129
 Phone: (410) 668-6678
 Fax: (410) 668-4973

ISSUE DATE

1	4-7-23	PERMIT REVIEW

SCALE: N.T.S.

DETAILS
3.03
 PRINT DATE:
 Friday, April 7, 2023