

Record Detail * (This section is required.)

Permit Type	Permit Number	Opened Date
Building/Residential/Misc/Tanks	B22004368	11/23/2022
Description of Work		
SFD / INSTALL (1) UNDERGROUND 500 GALLON PROPANE TANK AND RUN LINE TO HOUSE.		

[check spelling](#)

Address * (This section is required.)

Search Reset Clear Get Parcel & Owner

Street #	Street Name	Street Type	
1853	DAVIS BRANCH	RD	
Unit Type	Unit #	X Coordinate	Y Coordinate
--Select--		-76.87025	39.32033
City	State	Zip Code	Primary
WOODSTOCK	MD	21163	Yes

Approved 12/6/22
KTH

Parcel * (This section is required.)

Search Reset Clear Get Address & Owner

GIS ID *	Parcel	Parcel Area	Land Value	Improved Value	Exemption Value	Plan Area
930164	225,287	1.22	104700	104700	0	RURAL

Legal Description
LOT 13 1.224 A[]1853 DAVIS BRANCH ROAD[]MYRTUE PROPERTY INCL RSB

[check spelling](#)

Block	Lot	Census Tract	Council Dist	Inspection Dist	Supervisor Dist	Map #	DAP Zone
	13	603000	5	6			
Plan Area	State Tax Id	Subdivision Name					
	1403352455	Myrtue Property					
Section	Area	Tax Map					
		11					
Grid	Zoning District	ADC Map					
11-19	RC-DEO	4695-A9					
SDP No.	Final Plan No.	WP File No.					
	F-06-104						
Record Plat No.	WS Contract No.	FDP No.	Primary				
19961-1996			Yes				
Owner Occupied	Year Built	Historic District					
<input type="radio"/> Yes <input checked="" type="radio"/> No		<input checked="" type="radio"/> Yes <input type="radio"/> No					
Historic District Registry No.	Stat Area	Flood Plain					
	3-02A	<input type="radio"/> Yes <input checked="" type="radio"/> No					
Building No							

Owner * (This section is required.)

Search Reset Clear

Name *

MARRIOTTS RIDGE LIMITED LIABILITY

Address Line 1

227 GRANITE RUN DR

Address Line 2

Address Line 3

Mail City

LANCASTER

Mail State

PA

Mail Zip Code

17601

Phone

443-256-8906

E-mail

Primary

Yes

Cell Number Fax Number

Professionals (This section is not required.)

Search Reset Clear

License # *	Business Name		
20100100429	DIXIE LAND ENERGY LLC		
License Type *	First Name	Middle Name	Last Name
Propane Gs	BASIL	STEPHEN	PERRY
Primary	Address Line 1		
Yes	281 EAST MAIN STREET		
	Address Line 2		
	City	State	ZIP Code
	RISING SUN	MD	21911-0000
	Phone 1	Phone 2	Fax
	4434144940		
	E-mail		

Applicant (This section is not required.)

Search As Owner As Lic. Prof As Contact

Type *	First Name	MI	Last Name
Applicant	LouAnn		Nickle
Relationship	Full Name		
--Select--			
Primary	Organization Name		
Yes			
	Street Address		
	281 E MAIN ST		
	Address Line 2		
	City	State	Zip Code
	RISING SUN	MD	21911
	Phone	Cell	Fax
	888-517-3680		
	E-mail *		
	lnickle@dixielandenergy.com		

Addtl Info

Est Construction Cost *	Housing Units *	Number of Buildings *	Public Owned
4500	0	0	No
Construction Type			
--Select--			

TANK INFORMATION

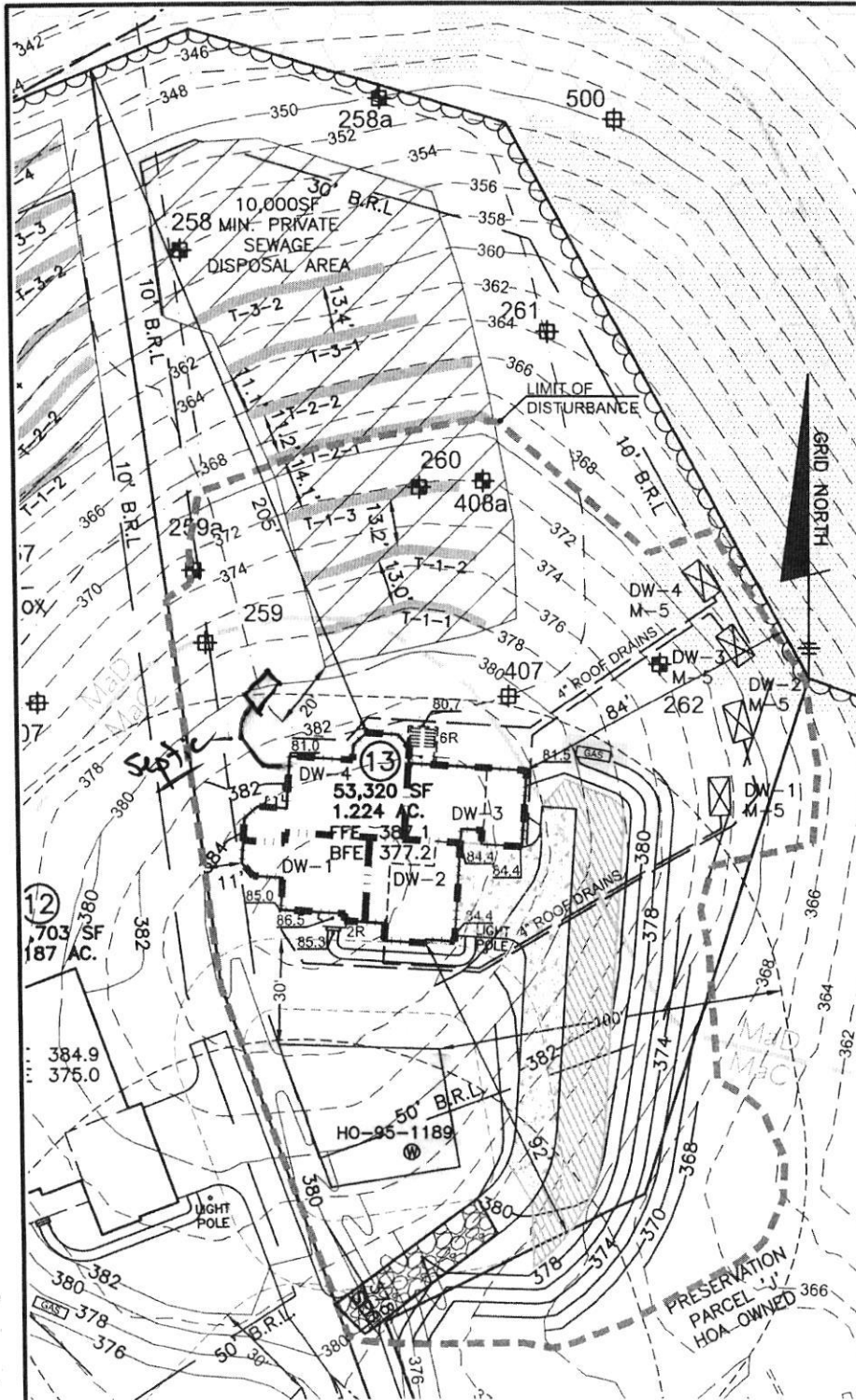
RESIDENTIAL TANK INFORMATION

Capital Project-No Fee *	Capital Project Number	Fee Exempt *	Roadside Tree Project Permit *	Roadside Tree Permit #
<input type="radio"/> Yes <input checked="" type="radio"/> No		<input type="radio"/> Yes <input checked="" type="radio"/> No	<input type="radio"/> Yes <input checked="" type="radio"/> No	
Existing Use *	Number of Tanks Installed *	Number of Tanks Removed *		
SFD	1	0		
Water Supply	Sewage Disposal	Expiration Date	Relocate Existing Tank *	
Private	Private	6/4/2023	0	

PAYMENT INFORMATION

Check 1	Payee 1	Check 2	Payee 2	SAP Doc No	SAP Entered

Submit Cancel



LEGEND

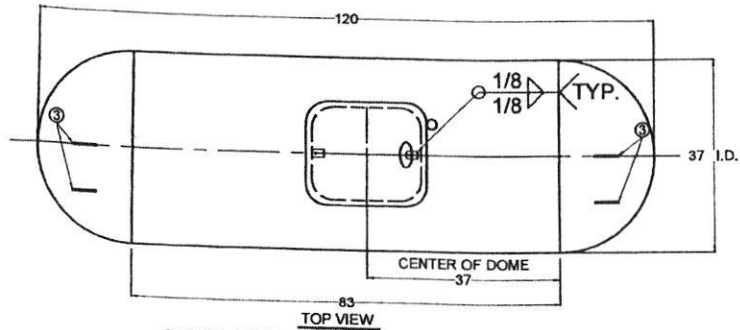
- 400 PROPOSED CONTOURS
- 398 EXISTING CONTOURS
- 400 EXISTING CONTOURS
- EXISTING PRIVATE SEWAGE DISPOSAL AREA
- WELL BOX
- PROPOSED TREELINE
- EXISTING TREELINE
- SOILS MAP SYMBOL
- SOILS DELINEATION LINE
- PERC TEST PASSED
- PERC TEST FAILED
- PAVEMENT DISCONNECTION AND RECEIVING

1853 Davis Branch Rd
Woodstock mo

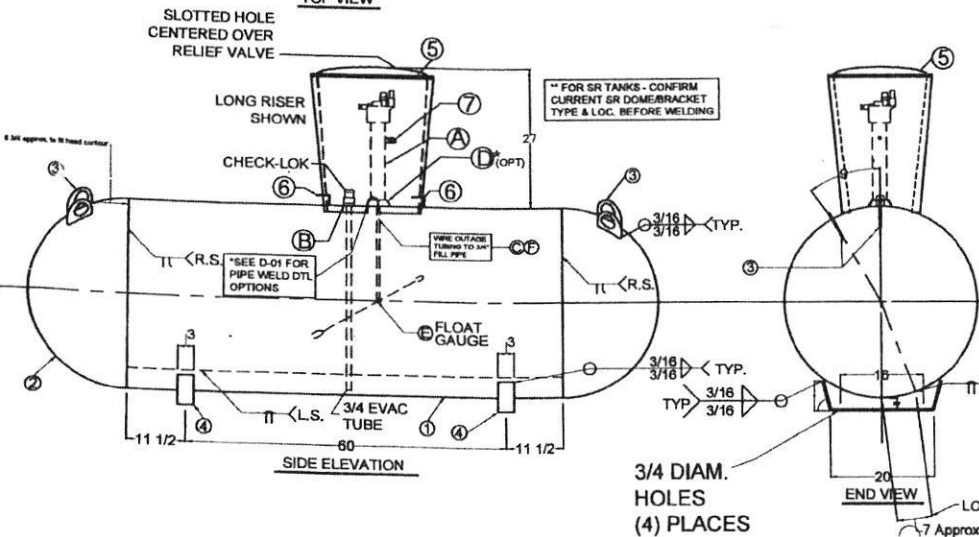
Tank 10' x 4'
75' off Right
250' off Rear
80' off left
135' off Front
85' off well
70' off sewer
50' off SDA

Approved for LP tank
B22004368
12/6/22

THIS VESSEL IS DESIGNED FOR THE STORAGE OF LIQUEFIED PETROLEUM GAS ONLY



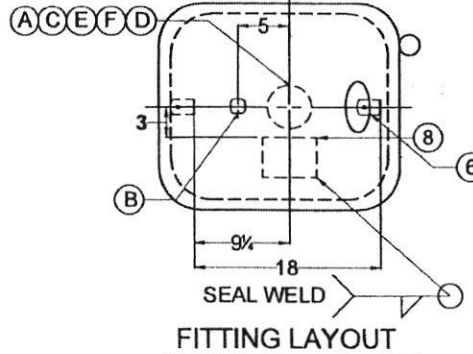
TOP VIEW



SIDE ELEVATION

3/4 DIAM. HOLES (4) PLACES

* May vary long seam loc. to miss leg weld



SHORT RISER TANKS MUST HAVE DT LENGTH UPDATED TO 17.0

CERTIFIED BY: QUALITY STEEL CORPORATION
CLEVELAND, MS - FREMONT, OH - WEST JORDAN, UT

MAX. ALLOW. WORK PRESS. **250 PSI** AT **400**

M.D.M.T. **-20** °F. AT **250** PSI

YEAR BUILT **201** SER. NO. *

LENGTH **120** IN. OUTSIDE DIA. **37.5** IN.

HEAD THK. **.185** IN. SHELL THK. **.218** IN.

UNDER GROUND TYPE **UQ5** SURFACE AREA **100** SQ. FT.

CONTAINER ASSEMBLY FOR LP GAS HEAD D.R. **HEMI** WATER CAPACITY **500** GALL.

THIS CONTAINER SHALL NOT CONTAIN A PRODUCT HAVING A VAPOR PRESSURE IN EXCESS OF 215 PSI AT 100°F. DIP TUBE LENGTH - 89% FULL AT 50°F. D.T. **124.0** IN.

DATA PLATE DETAIL

GENERAL NOTES:

- LIFTING LUGS DESIGNED FOR TOTAL LIFTING WEIGHT OF 154
- TOTAL EMPTY WEIGHT IS 978#
- ALL DIMENSIONS ARE IN INCHES UNLESS OTHERWISE SPECIF
- COMPLETE TANK DRIED TO REMOVE ALL MOISTURE.
- ALL WEIGHTS AND CAPACITIES ARE APPROXIMATE
- EXTERIOR OF TANK TO BE GRIT BLASTED
- PAINT PER SHOP ORDER
- VACUUM PURGE TANK
- DIMENSIONS ARE SUBJECT TO CHANGE WITH OUT NOTICE. (NON-PRESSURE RETAINING COMPONENTS ONLY)
- THREADS OF ALL FITTINGS TO BE COATED WITH COMPOU SUITABLE FOR USE WITH LP GAS.
- FLOAT GAUGE TO BE INSTALLED WITH FLOAT ARM 45 ° OFF LONGITUDINAL CENTERLINE OF TANK
- DOUBLE LIFTING LUGS ON LONG RISER TANKS ONLY

GENERAL SPECIFICATIONS

WATER CAPACITY (GALLONS)	500
ALLOWABLE WORKING PRESSURE (PSIG)	250
JOINT EFFICIENCY:	ASME UW-51 LONG SEAM 100
	ASME UW-52 HEAD TO SHELL 80 %
HYDROSTATIC TEST PRESSURE (PSIG)	325
SURFACE AREA (SQ. FT.)	100
RELIEF VALVE SETTING (PSIG)	250
RELIEF DISCHARGE RATE - (CFM REQ'D.)	702
HEAT TREATMENT NOT REQUIRED	
CODE:	ASME SECTION VIII DIV. I
STANDARDS:	UNDERWRITERS LABORATORIES INC. MH-72
	N.F.P.A. 58 LP GAS CODE
MATERIAL SPECS.:	COUPLINGS SA-105
	TANK FLANGES SA-105 OR SA-181
	ADAPTOR SA-105
	PIPE - SA53B OR SA106B

500 W.G. UNDERGROUND PROPANE TANK-TYPE-UQ5 (FORMERLY AWT-UG)

QUALITY STEEL CORPORATION

PART NUMBER: 0105004x LONG RISER 0105003x SHORT RISER

MARK	QTY.	SIZE	TYPE	FITTINGS	SERVICE
A	1	2 1/2	SCHED. 40 PIPE T.O.D. X 18 1/2" I.D. & DOME HT. = 24"	BPG008475RL24,1	MULTIVALVE
A (ALT.)	1	2 1/2	SCHED. 40 PIPE T.O.D. X 9 1/2" I.G. & DOME HT. = 18"	BPG008475RL24,1	MULTIVALVE
B	1	3/4	XH FLG. W/ EVAC TUBE	007590UT	CHEK-LOK
C	1	3/4	SCH. 40 PIPE (T.O.E.)		FILL PIPE X 1/2" OR 1/4" RISER PIPE ATTACHMENT
D (OPT.)	1	2 1/2	XH SOCKET WELD FLG		FLOAT GAUGE (Long Riser)
E	1	1 1/4	4 - BOLTS	Squibb Taylor J85700P or Rochester B6281-483	FLOAT GAUGE (Short Riser)
E (AL.)	1	1 1/4	4 - BOLTS	Squibb Taylor J83284P or Rochester B6281-484	FLOAT GAUGE (Short Riser)
F	1	1/8	BRASS TUBE		OUTGATE TUBE, 17" BR 24" LR

REV.	BY:	DESCRIPTION	DATE:
17	CDH	REVISED FILL PIPE LENGTHS	12/13/01
18	CDH	ADDED FLOAT GA. DESCRIPTIONS CHANGED MDMT PRESSURE TO 250 PSI	5/21/02
19	CDH	REMOVED DOME CLIPS, ADDED SNAP LOCKS	8/28/02
20	CDH	REPOSITIONED SNAP LOCKS & REMOVED DETAIL	10/21/02
21	SEA	ADD SA-181 AS OPTION FOR FLANGES	8/28/05
22	RGA	REVISED COMPANY NAME	12/08/07
23	wlo	STANDARDIZE DRAWINGS	06/30/11
24	wlo	UPDATED NAME PLATE	08/13/12
25	bta	UPDATED SHELL LENGTH	03/18/14
26	TWV	UPDATED HEAD & PLY THICKNESS & NAMEPLATE. UPDATE TO QSC STD COMPONENTS.	06/19/15

DATE	DRAWN BY	APPROVED BY:	REVISION	DRAWING NO.:
01 / 03 / 00	RAC	TWV	26	R-500M

UG STANDARD