

FOUNDATION PLAN
1/4" = 1'-0"

Job #
Date: 04/29/2022 Issue:
05/27/2022 REVIEW SET
PERMIT SET

REVISION



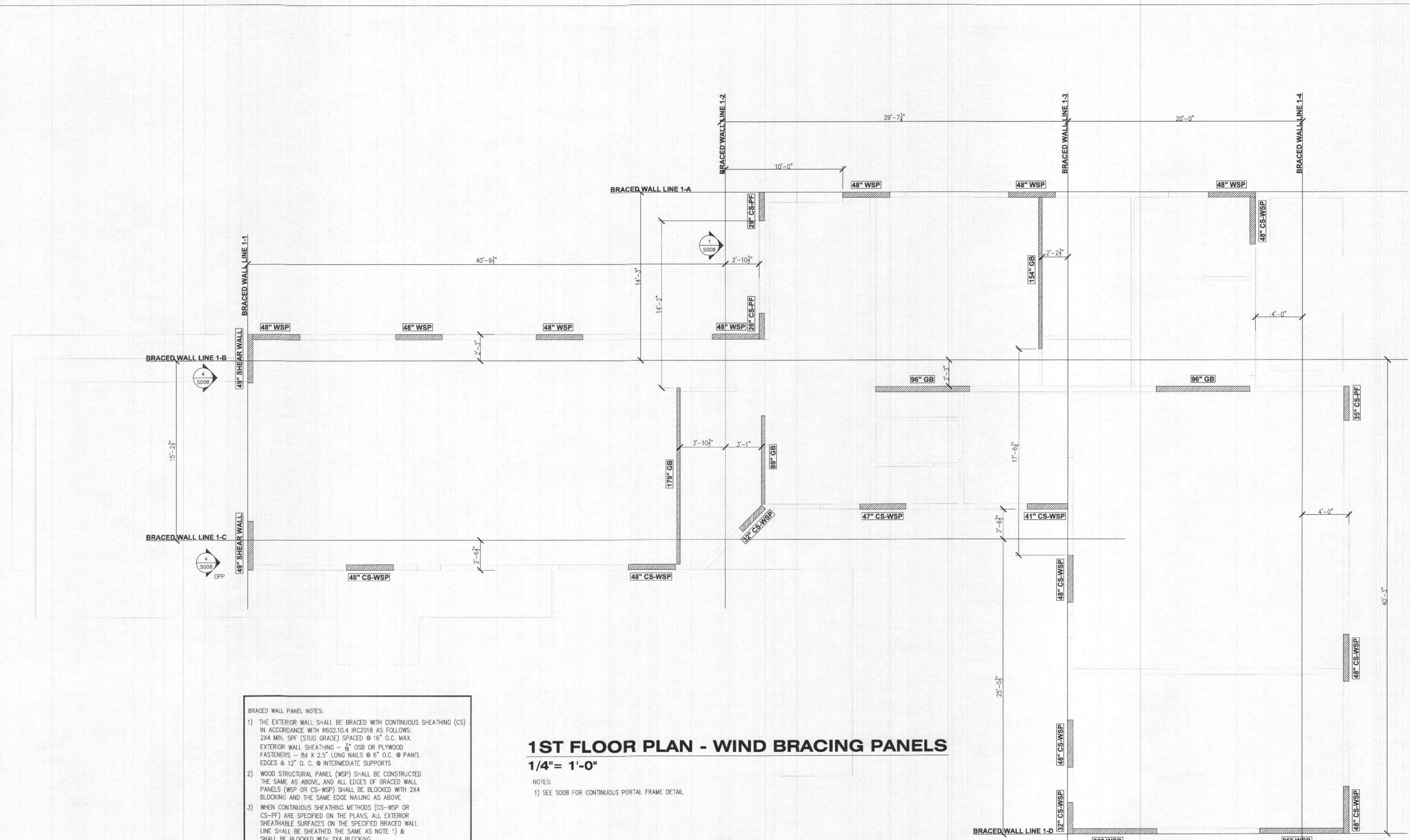
I hereby certify that these documents were prepared or approved by me, and I am a duly licensed professional engineer under the law of the State of Maryland, License No. 22243, Expiration Date: 02/04/2023

Drawn ZH Checked JZ
Scale AS NOTED
Sheet Title

FOUNDATION PLAN

© JZ 2022
ALL RIGHTS RESERVED
Sheet No.

S002

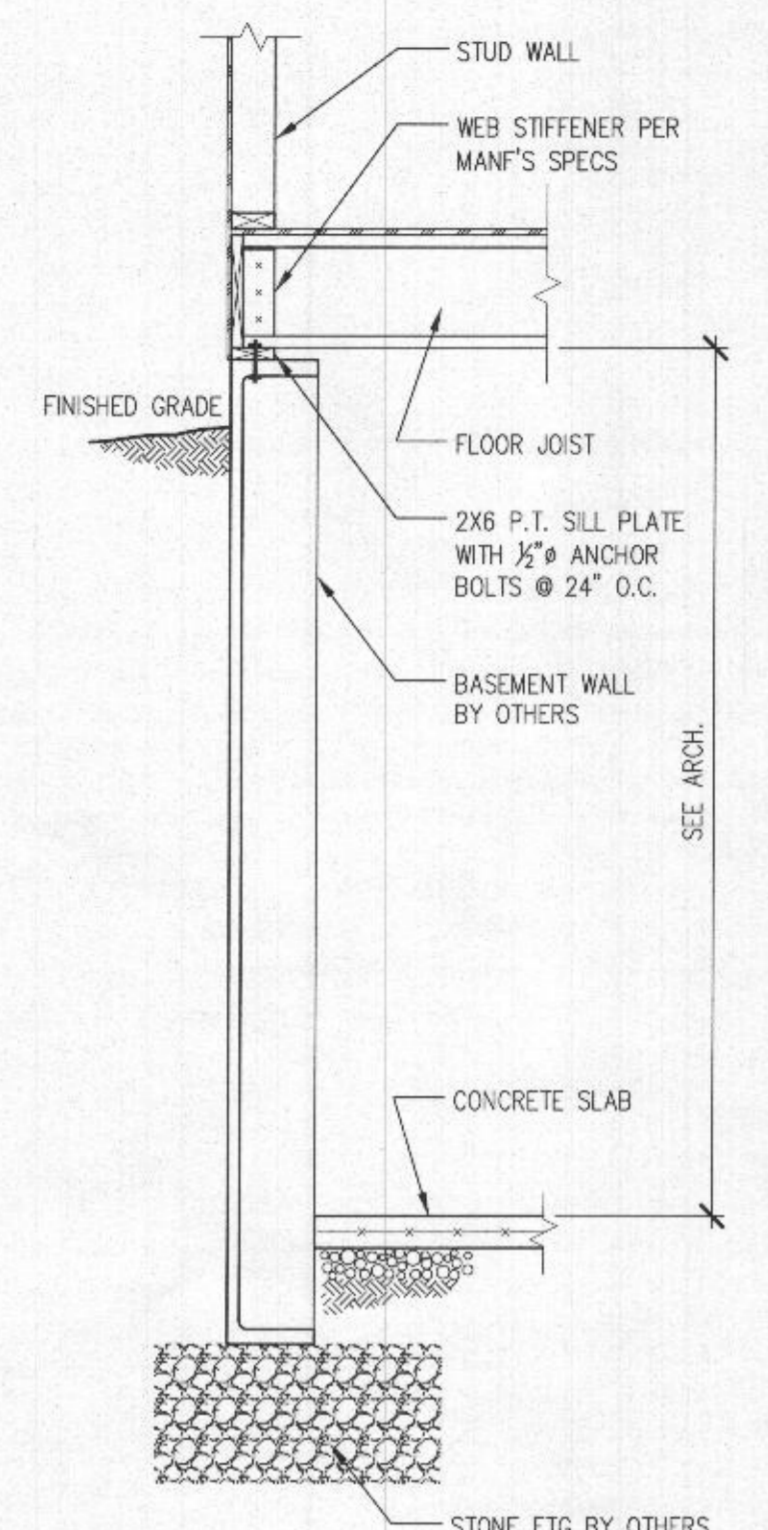


BRACED WALL PANEL NOTES:

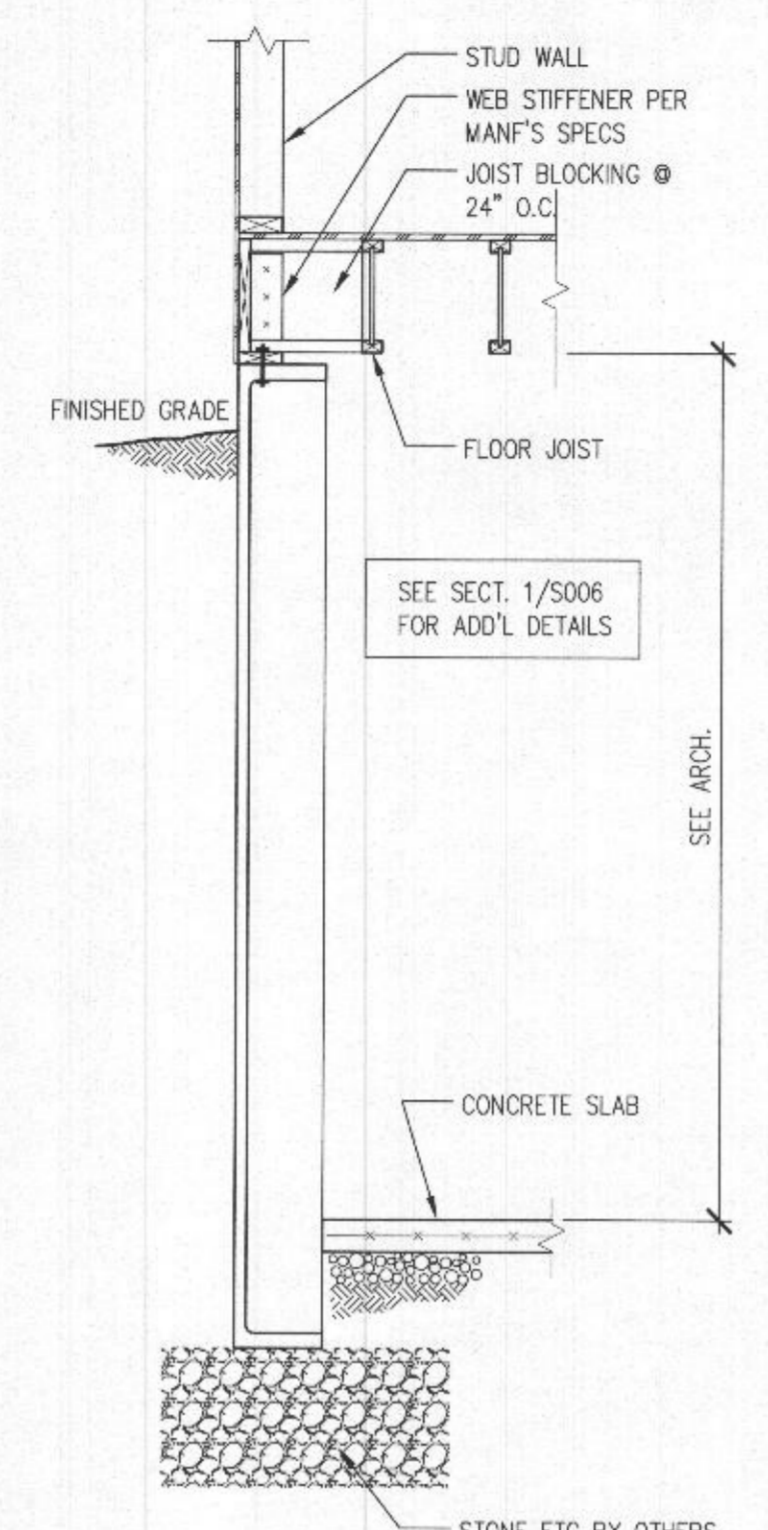
- 1) THE EXTERIOR WALL SHALL BE BRACED WITH CONTINUOUS SHEATHING (CS) IN ACCORDANCE WITH R602.10.4 IRC2018 AS FOLLOWS:
2X4 MIN. SPF (STUD GRADE) SPACED @ 16" O.C. MAX.
EXTERIOR WALL SHEATHING - 5/8" OSB OR PLYWOOD
FASTENERS - 8d X 2.5" LONG NAILS @ 6" O.C. @ PANEL EDGES & 12" O.C. @ INTERMEDIATE SUPPORTS
- 2) WOOD STRUCTURAL PANEL (WSP) SHALL BE CONSTRUCTED THE SAME AS ABOVE, AND ALL EDGES OF BRACED WALL PANELS (WSP OR CS-WSP) SHALL BE BLOCKED WITH 2X4 BLOCKING AND THE SAME EDGE NAILING AS ABOVE
- 3) WHEN CONTINUOUS SHEATHING METHODS (CS-WSP OR CS-PF) ARE SPECIFIED ON THE PLANS, ALL EXTERIOR SHEATHABLE SURFACES ON THE SPECIFIED BRACED WALL LINE SHALL BE SHEATHED THE SAME AS NOTE 1) & SHALL BE BLOCKED WITH 2X4 BLOCKING.
- 4) GYPSUM BOARD (GB) BRACED WALL, WHEN INSTALLED VERTICALLY, SHALL BE BLOCKED WITH 2X4 BLOCKING & FINISHED AS FOLLOWS: INTERIOR WALL FINISH - 3" GYPSUM BOARD FASTENERS - 6d X 2" COMMON NAIL @ 7" O.C. @ EDGES & 7" IN FIELD OR NO. 6 1-1/4" SCREWS @ 4" O.C. @ EDGES & IN FIELD
- 5) MINIMUM BRACED WALL PANEL LENGTH IS IN ACCORDANCE WITH TABLE R602.10.5
- 6) ABBREVIATIONS & LEGEND:
CS-WSP CONTINUOUS SHEATHING
WSP WOOD STRUCTURAL PANEL
CS-PF CONTINUOUSLY SHEATHED PORTAL FRAME
GB GYPSUM BOARD
SW SHEAR WALL

1ST FLOOR PLAN - WIND BRACING PANELS
1/4" = 1'-0"

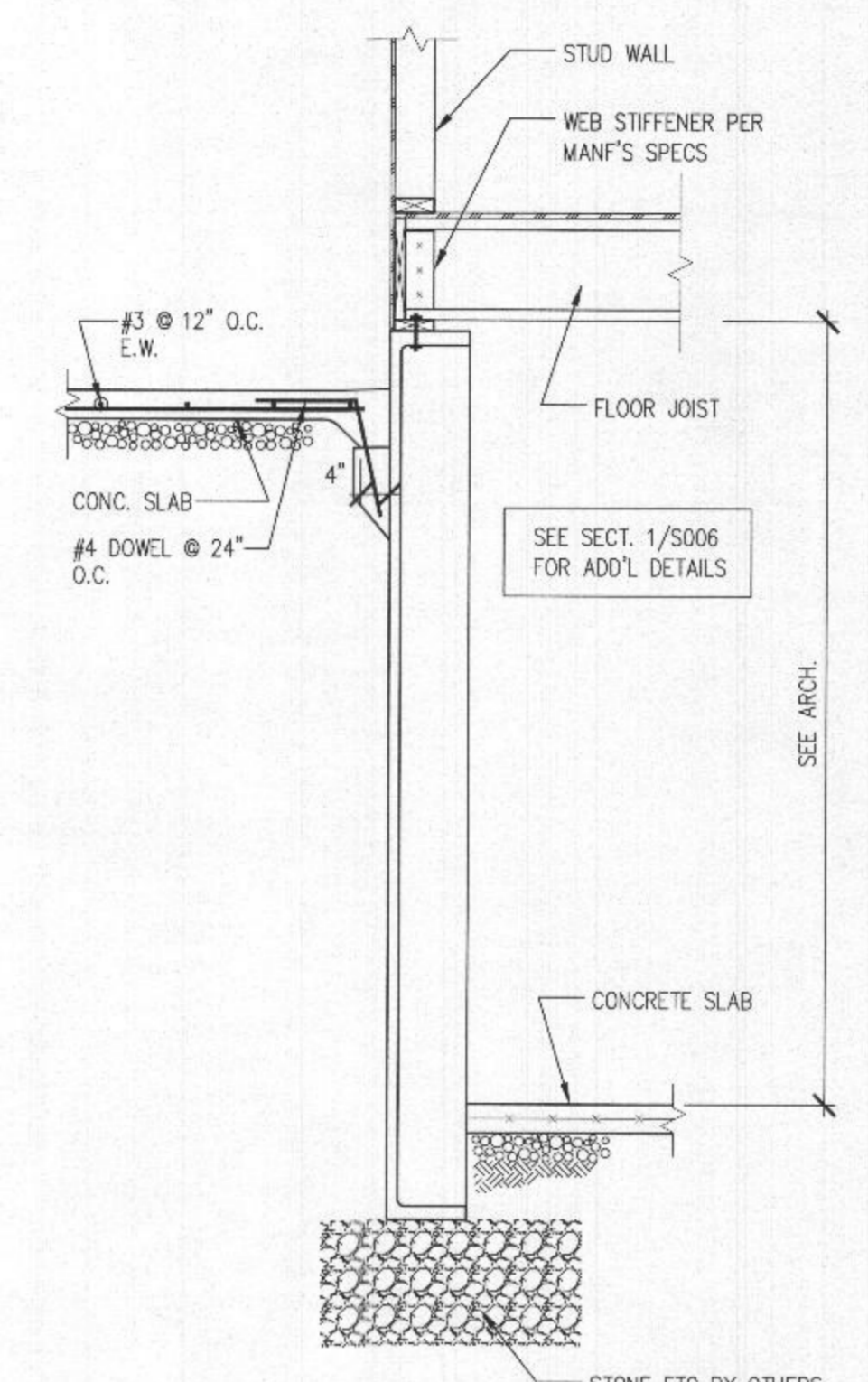
NOTES:
1) SEE S008 FOR CONTINUOUS PORTAL FRAME DETAIL



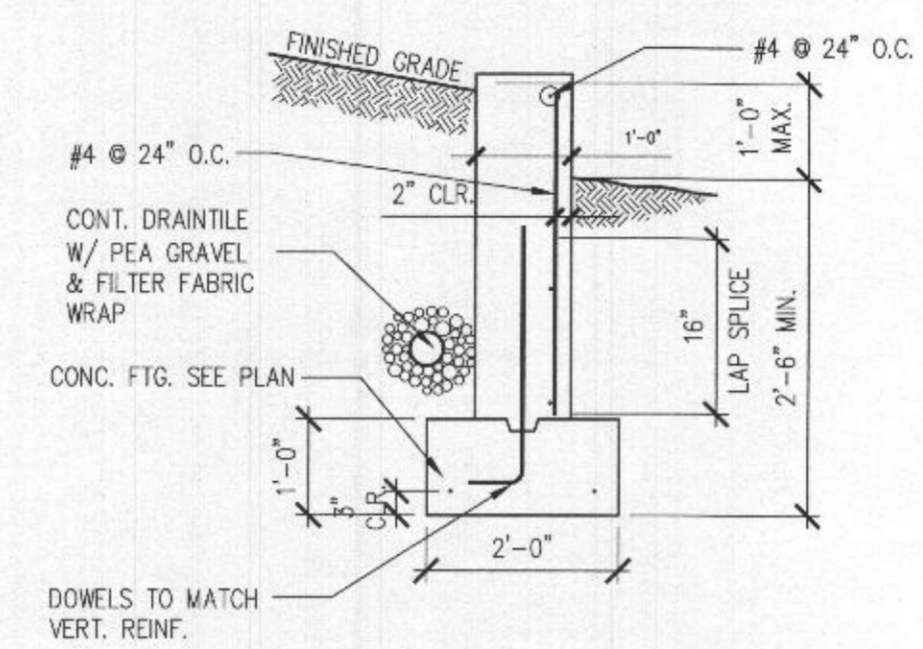
SECTION 1
SCALE: NTS



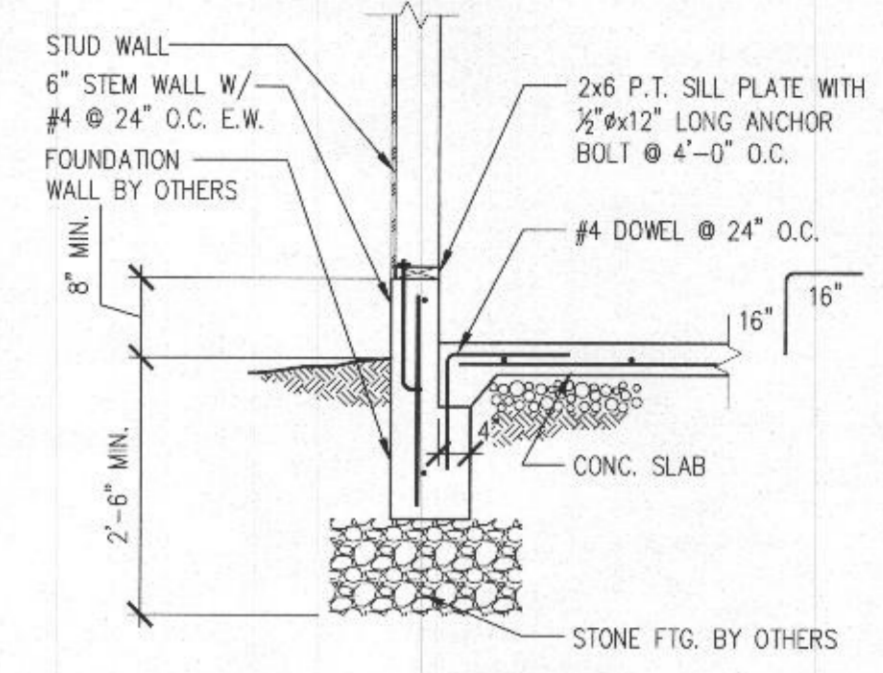
SECTION 2
SCALE: NTS



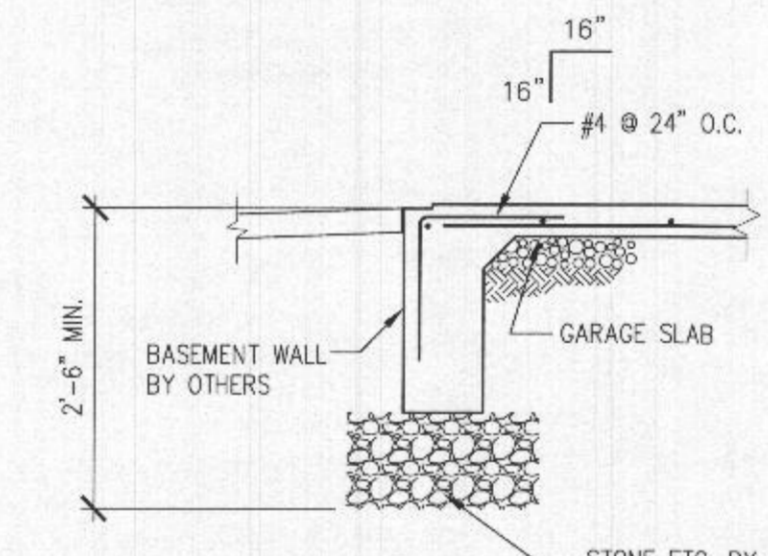
SECTION 3
SCALE: NTS



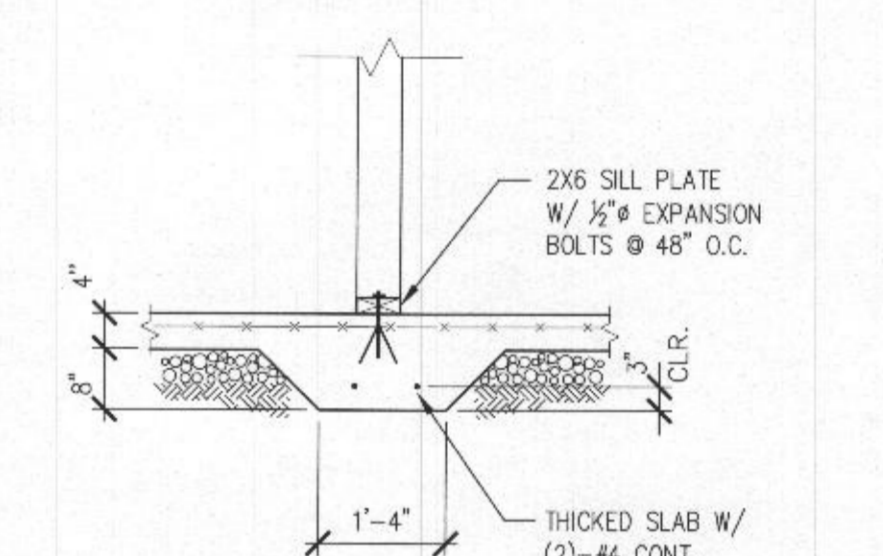
SECTION 4
SCALE: NTS



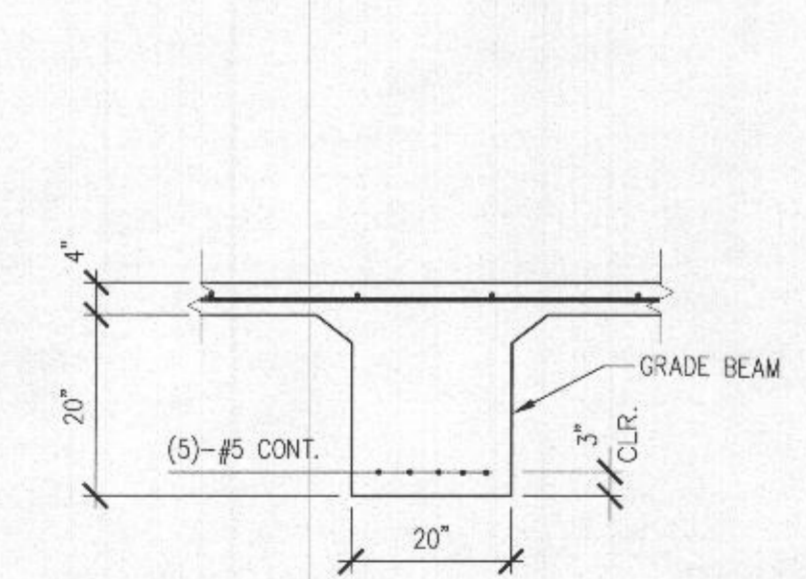
SECTION 5
SCALE: NTS



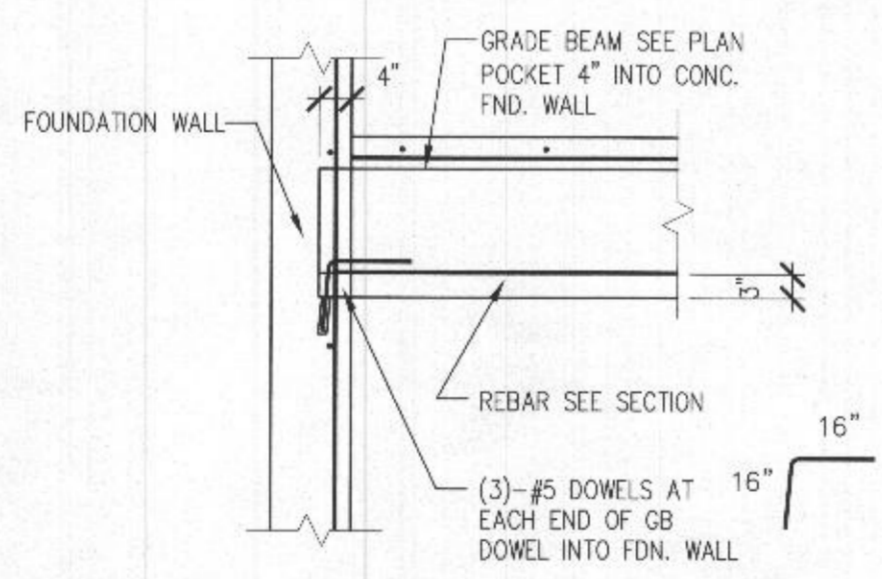
SECTION 6
SCALE: NTS



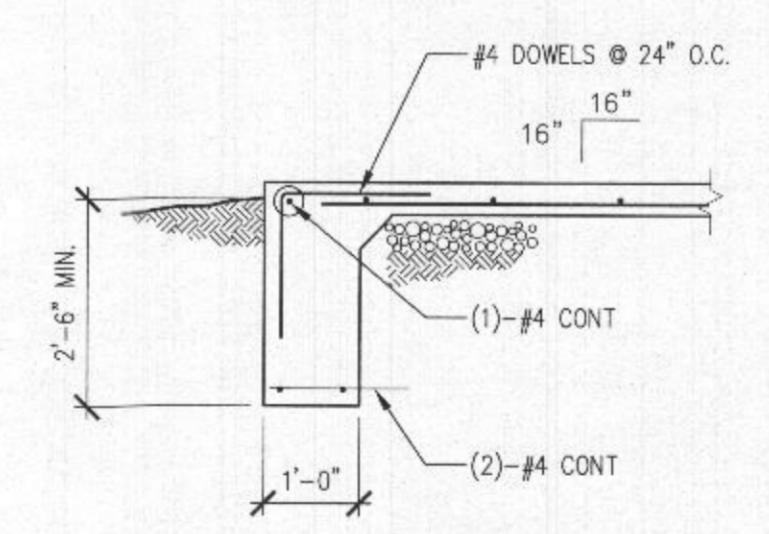
SECTION 7
SCALE: NTS



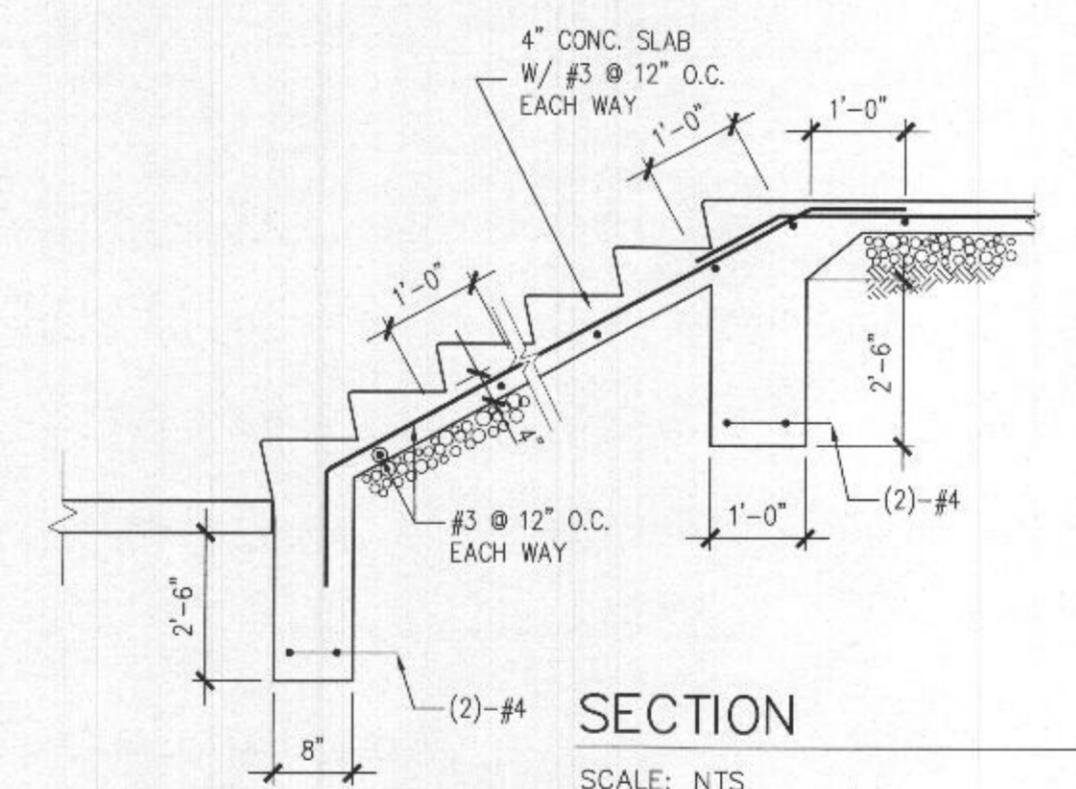
SECTION 8
SCALE: NTS



SECTION 9
SCALE: NTS



SECTION 10
SCALE: NTS



SECTION 11
SCALE: NTS

Job #
Date: 04/29/2022 Issue:
05/27/2022 REVIEW SET PERMIT SET

REVISION



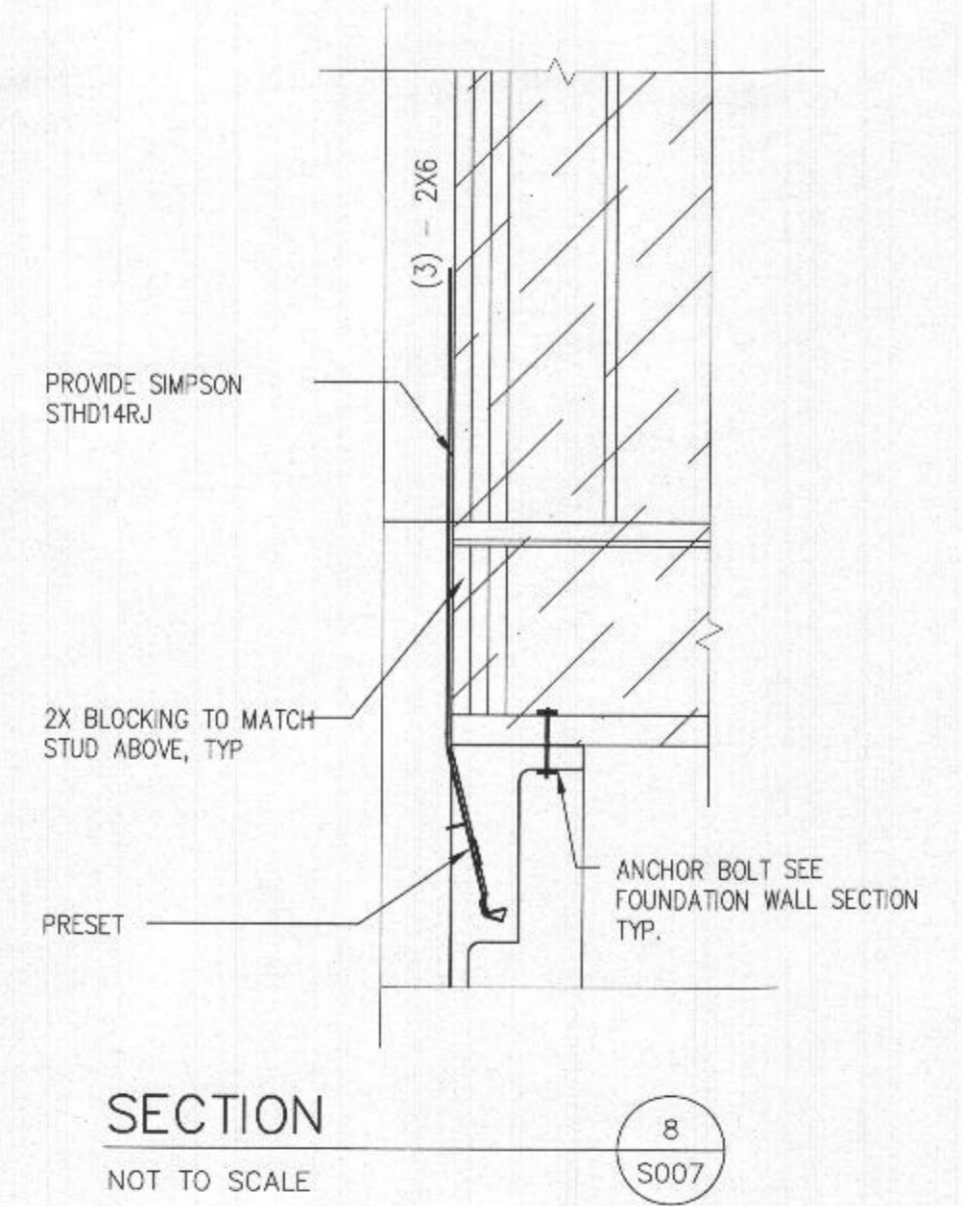
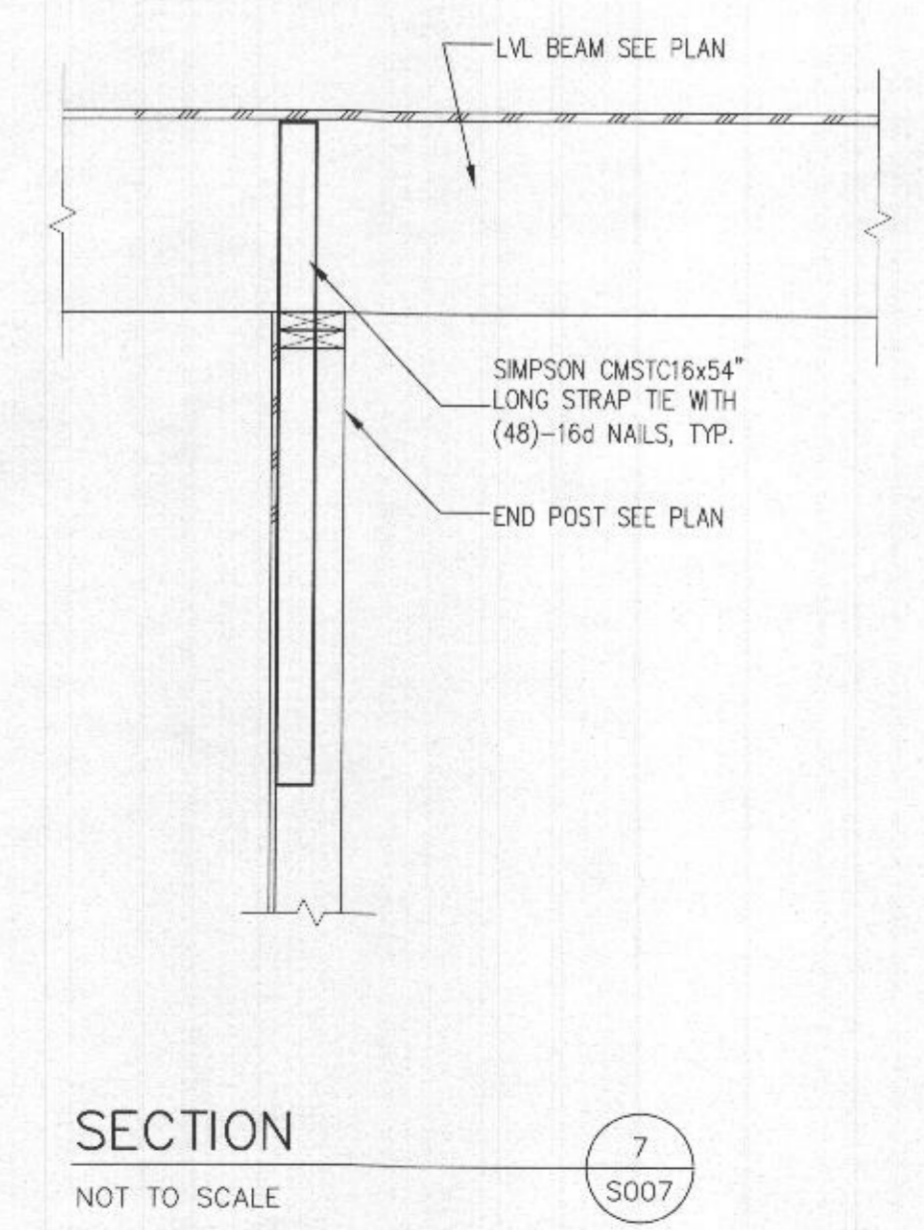
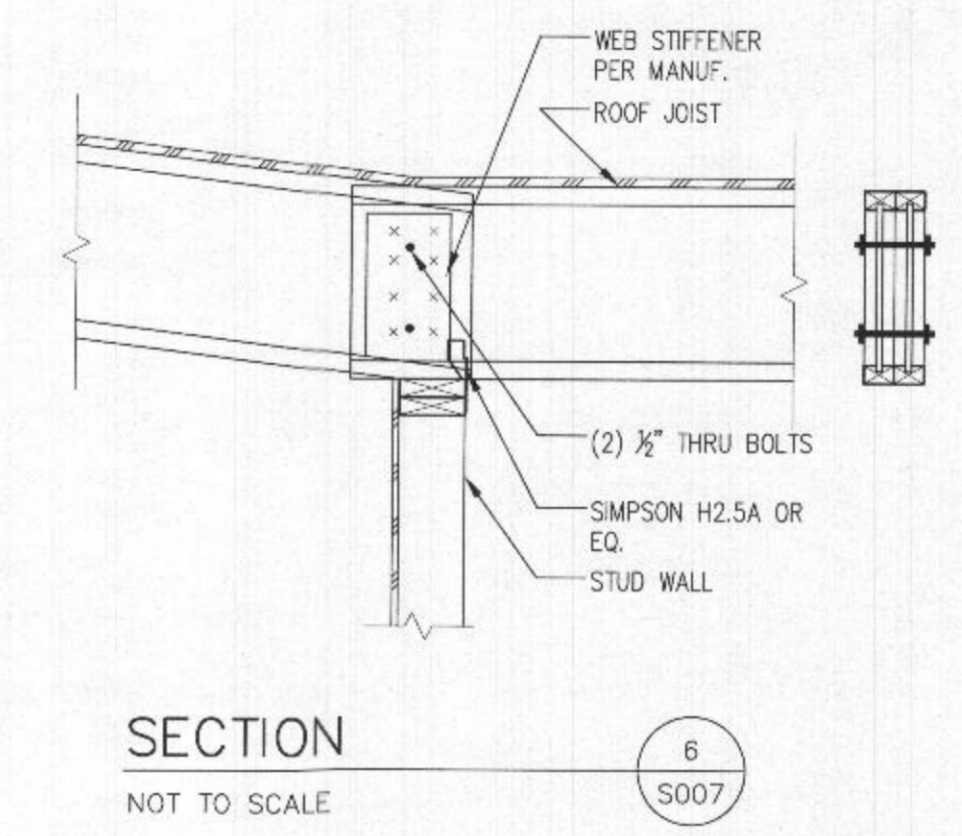
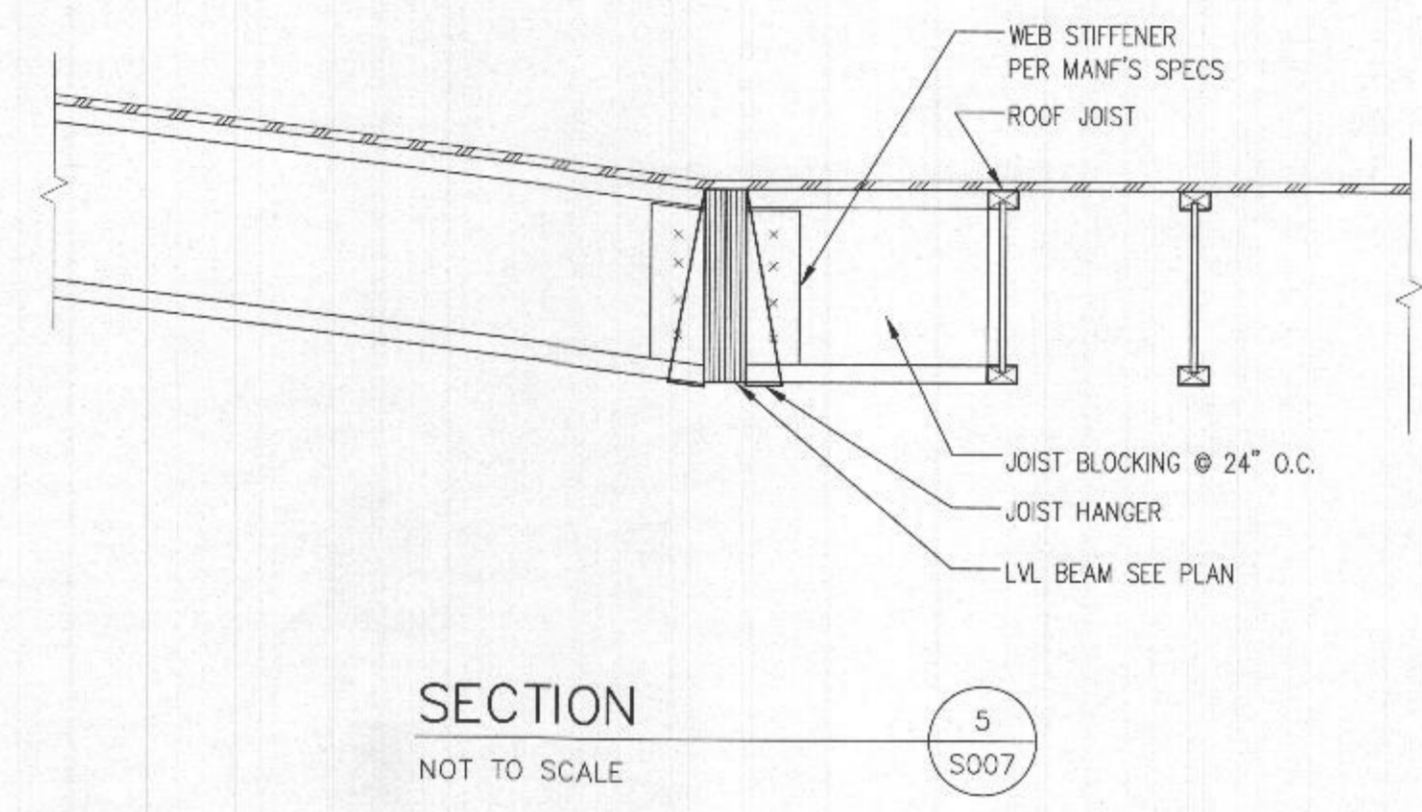
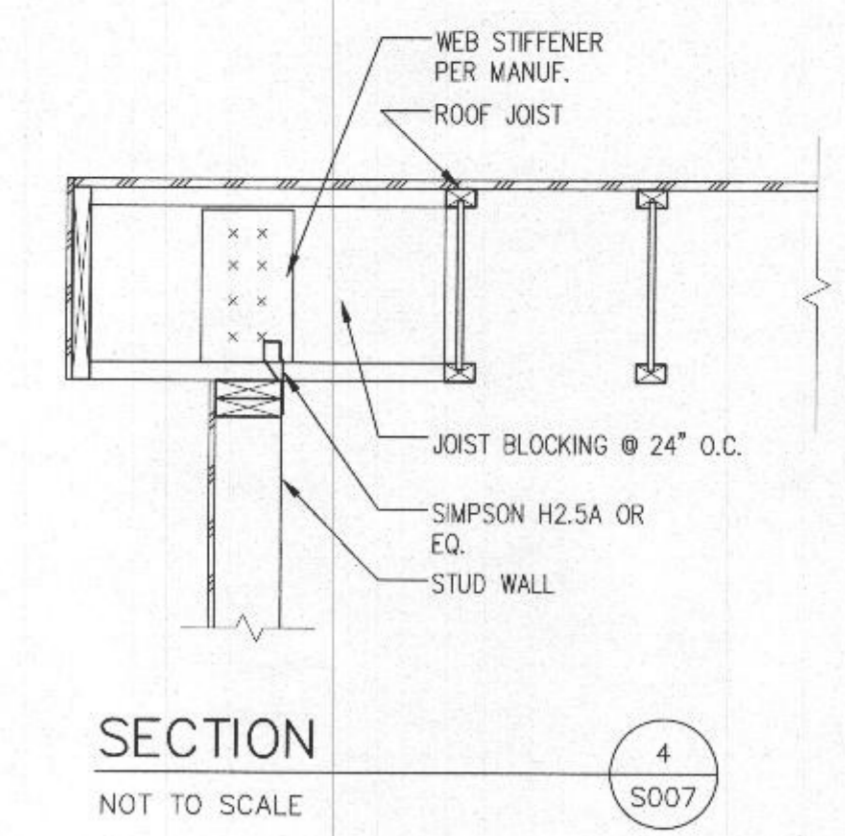
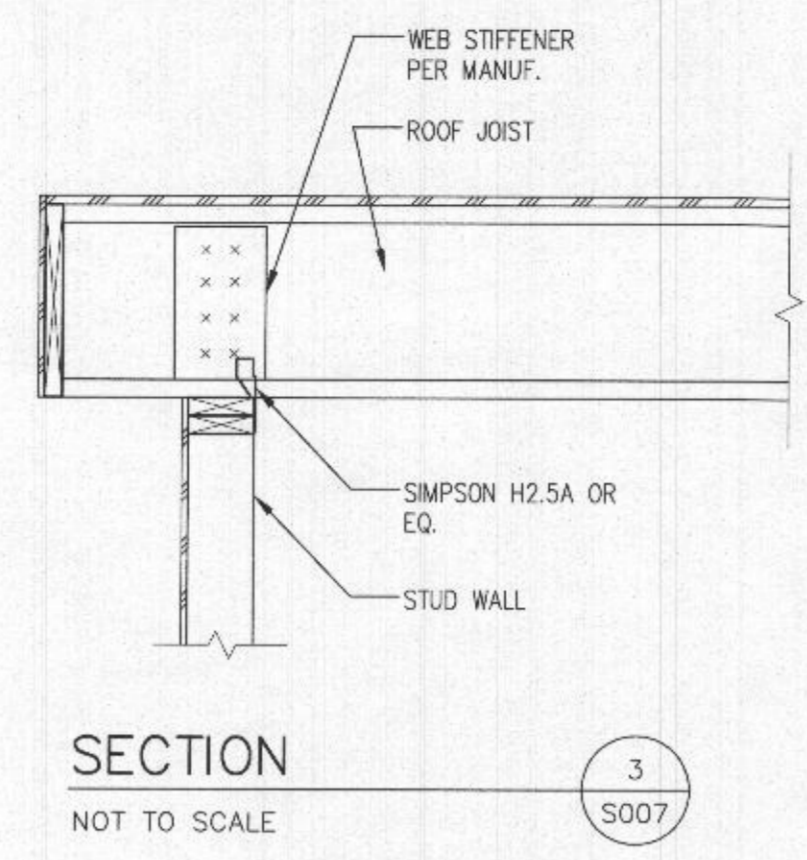
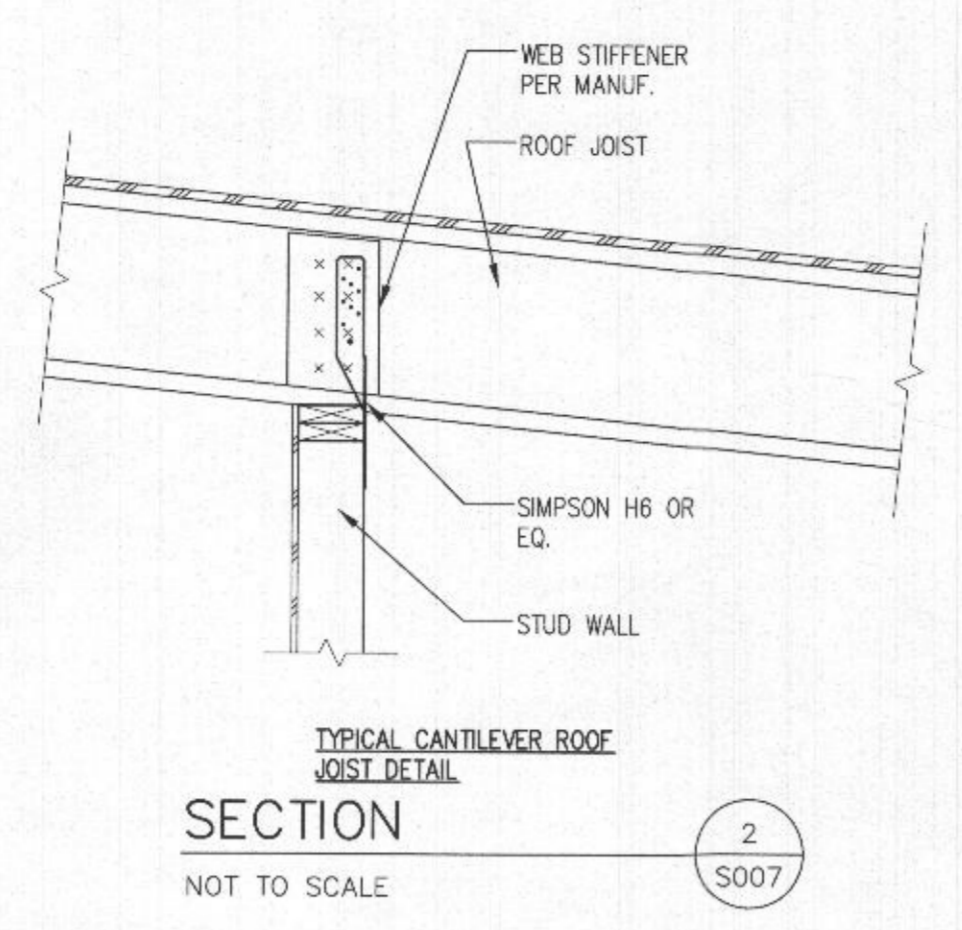
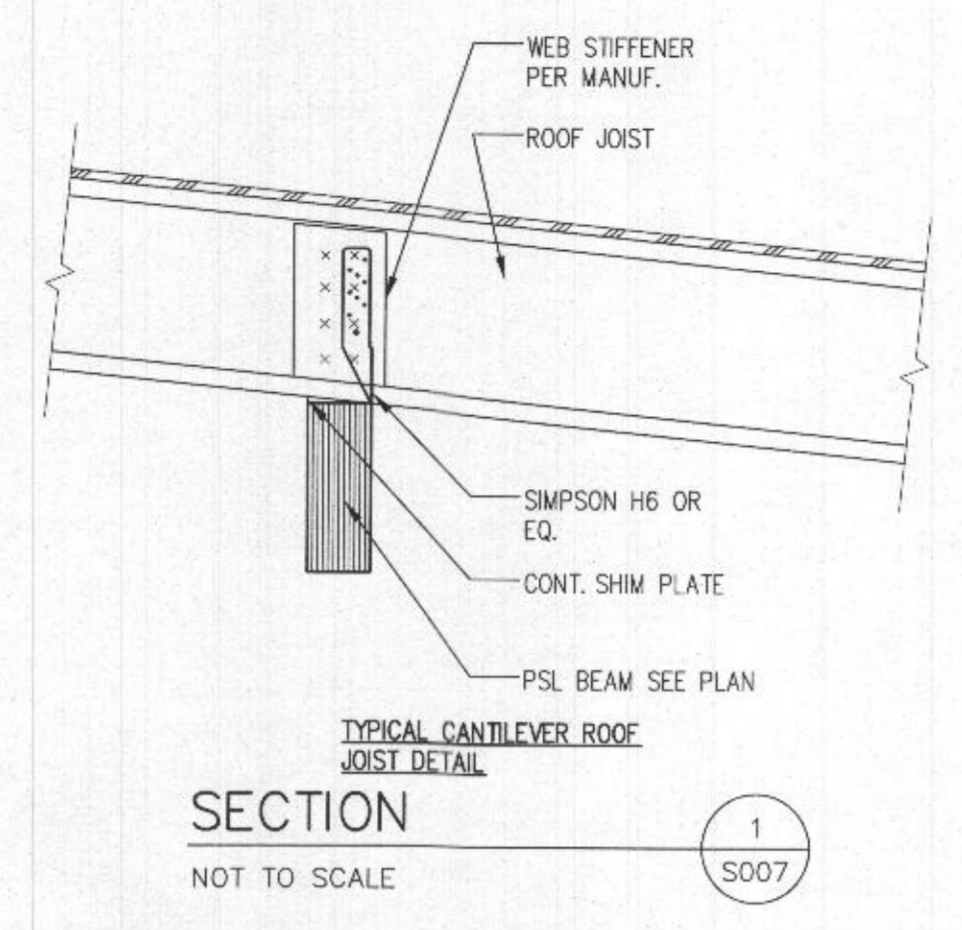
I hereby certify that these documents were prepared or approved by me, and I am a duly licensed professional engineer under the law of the State of Maryland, License No. 22243, Expiration Date: 02/04/2023

Drawn: ZH Checked: JZ
Scale: AS NOTED
Sheet Title:

FOUNDATION DETAILS

© JZ 2022
ALL RIGHTS RESERVED
Sheet No.

S006



Job #
Date: 04/29/2022 Issue: REVIEW SET
05/27/2022 PERMIT SET

REVISION



I hereby certify that these documents were prepared or approved by me, and I am a duly licensed professional engineer under the law of the State of Maryland, License No. 22243, Expiration Date: 02/04/2023

Drawn: ZH Checked: JZ
Scale: AS NOTED
Sheet Title: FRAMING DETAILS

© JZ 2022
ALL RIGHTS RESERVED
Sheet No.

S007



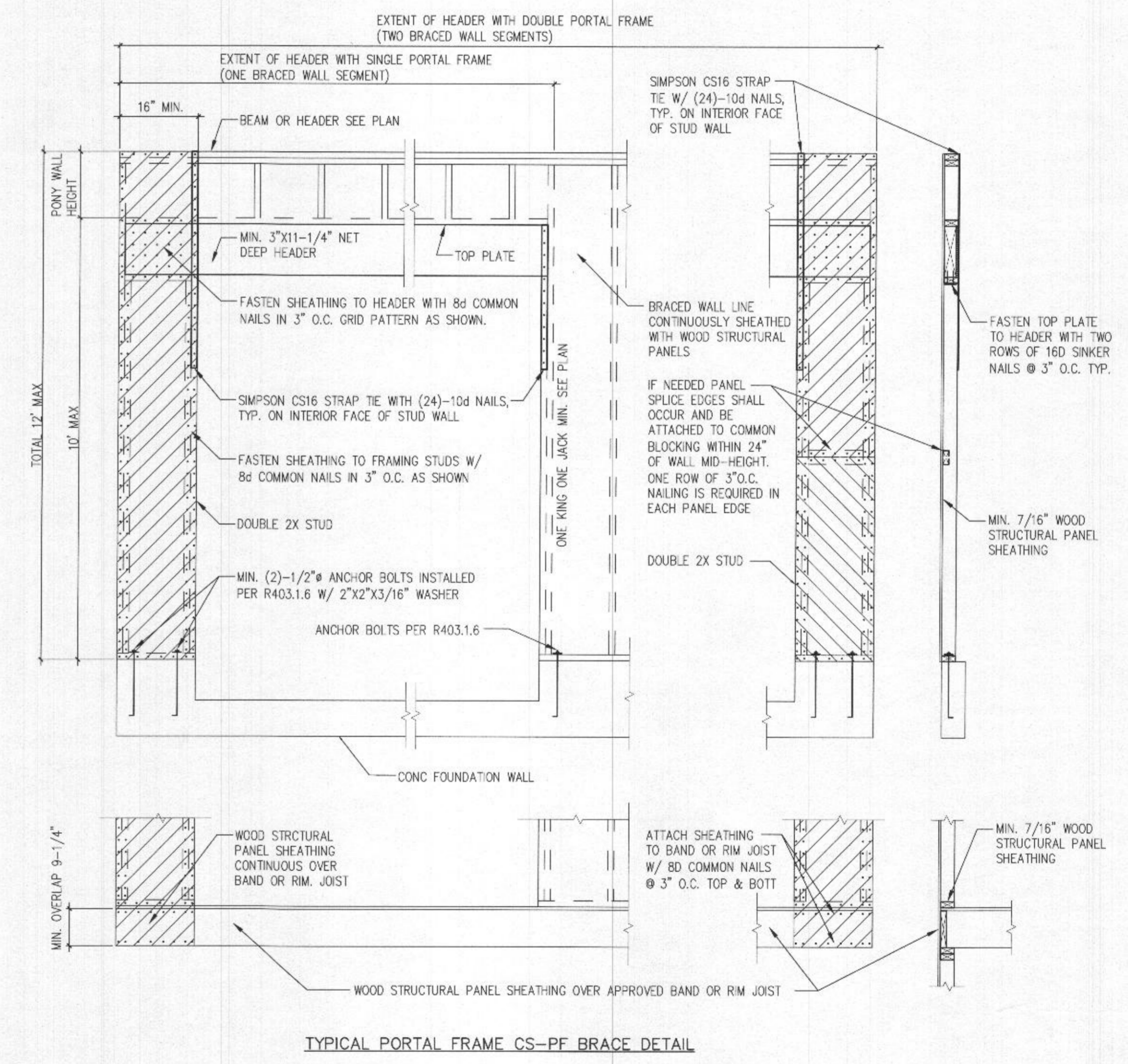
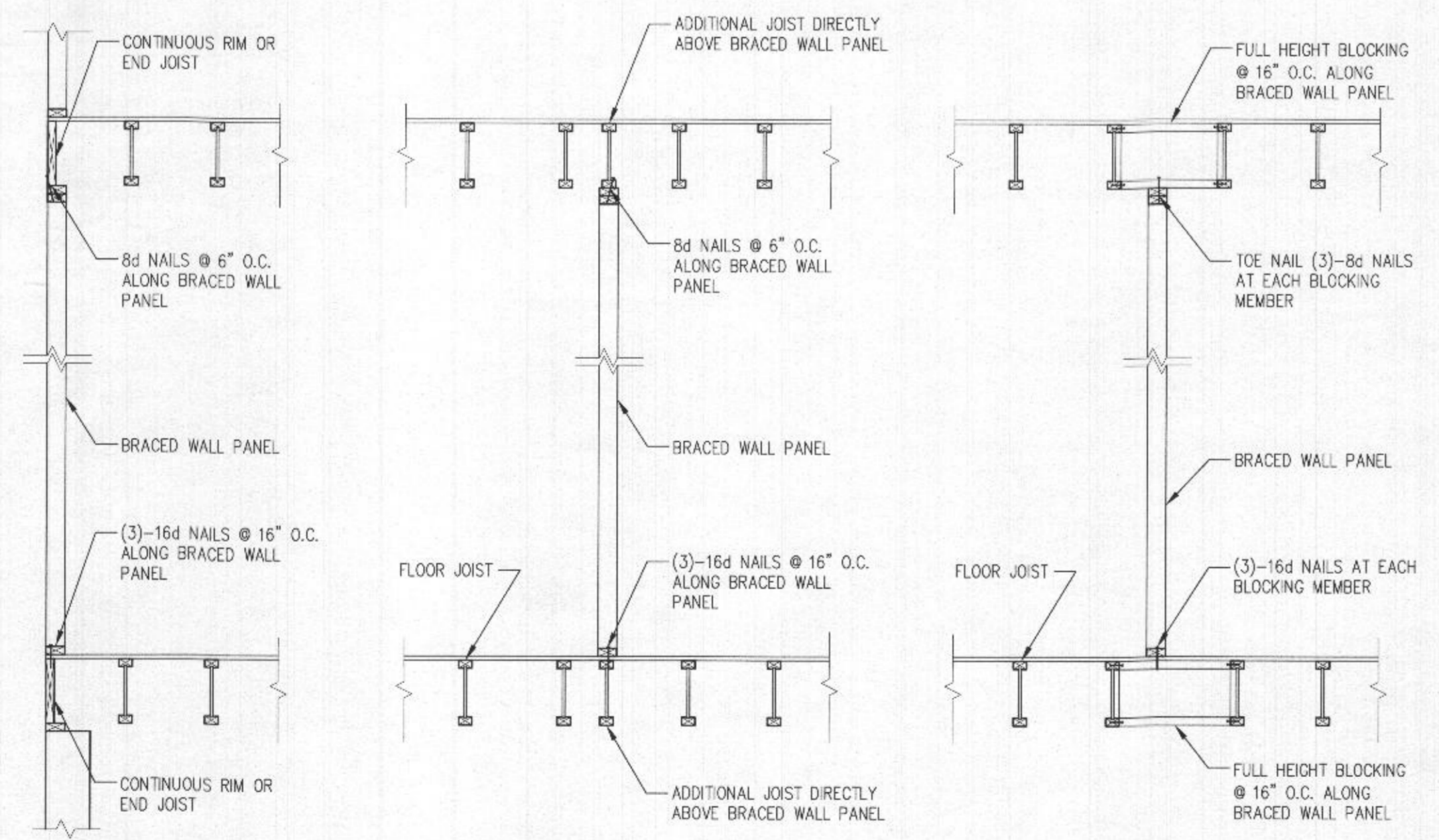
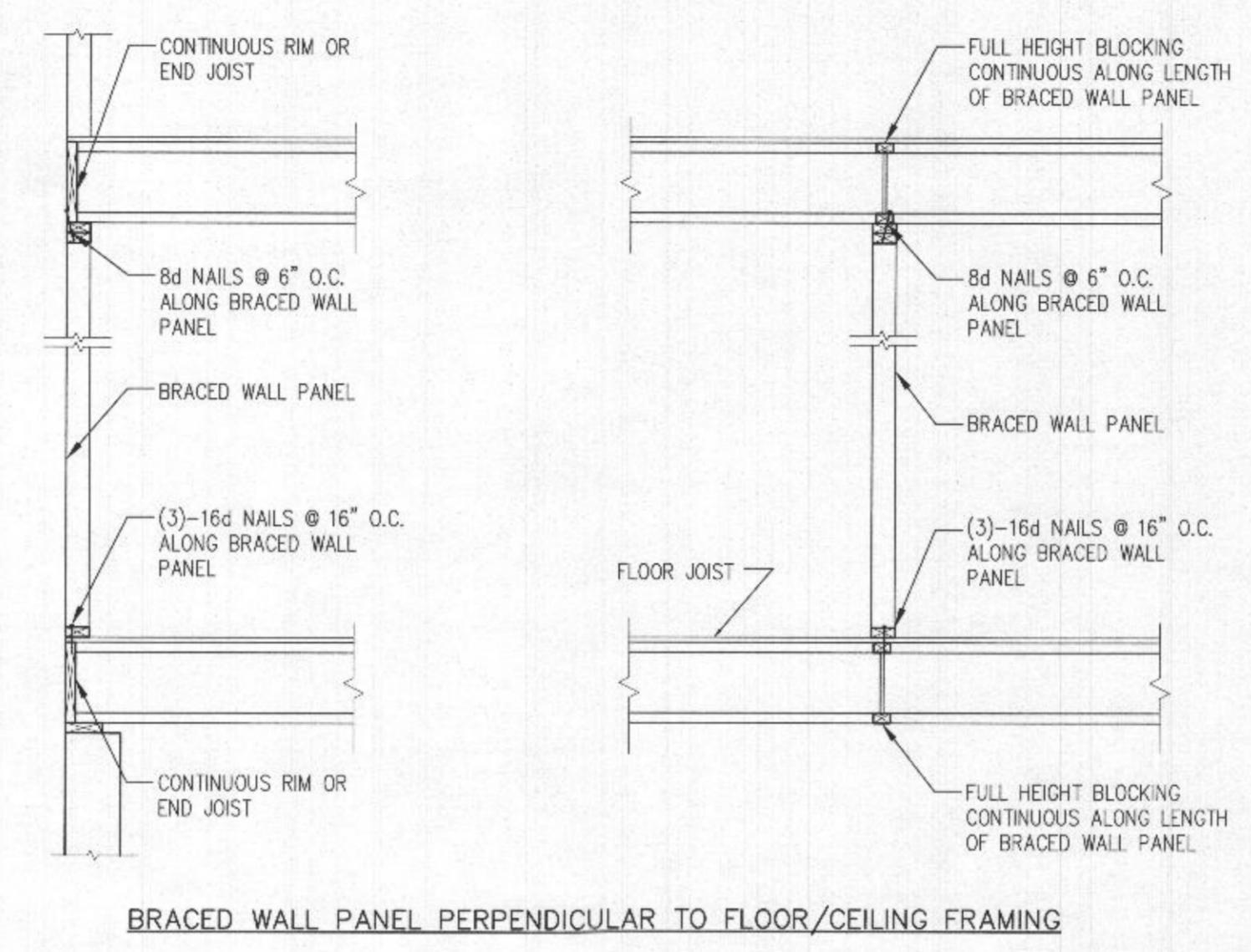
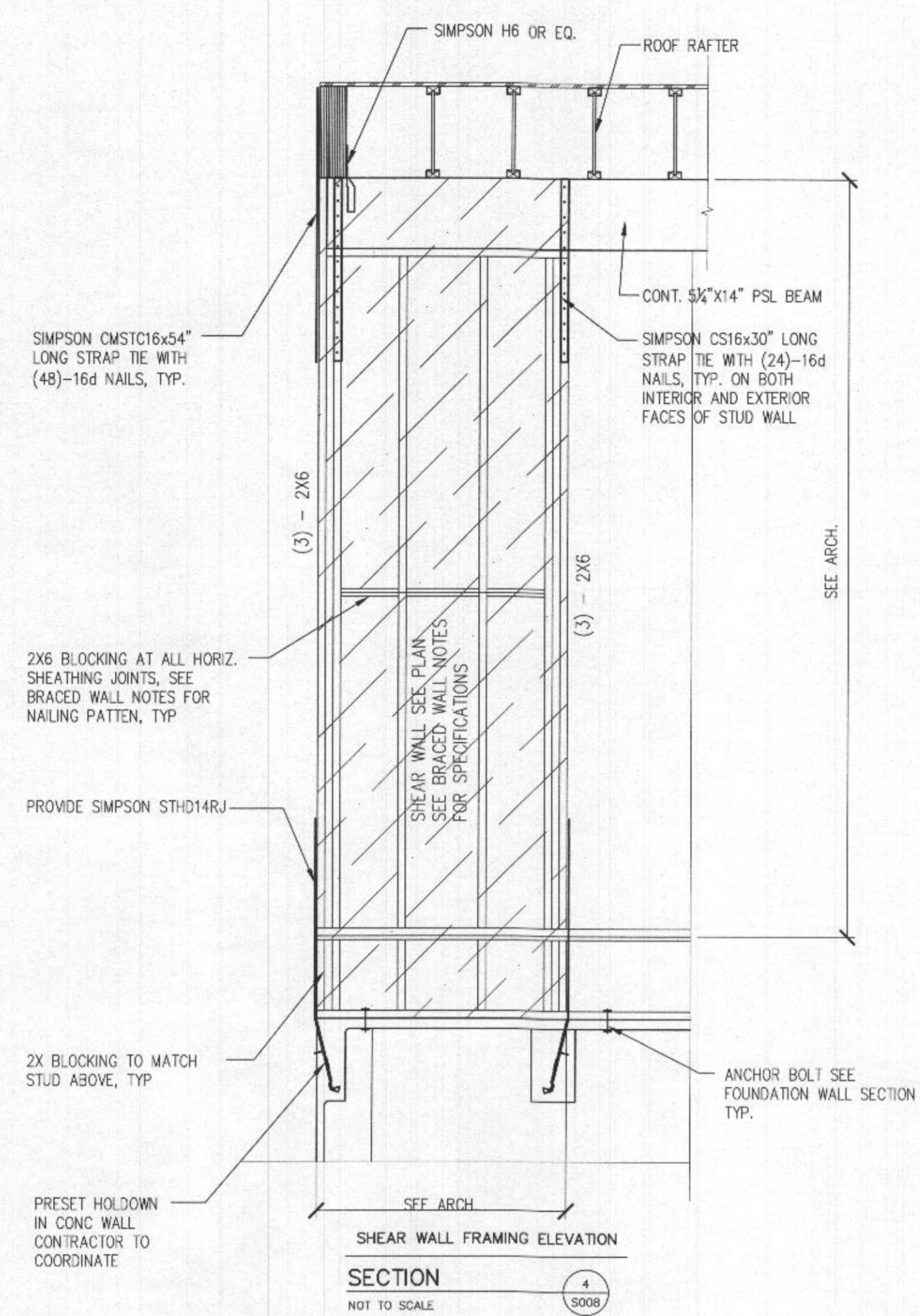
I hereby certify that these documents were prepared or approved by me, and I am a duly licensed professional engineer under the laws of the State of Maryland, License No. 22243, Expiration Date: 02/04/2023

Drawn ZH Checked JZ
Scale AS NOTED
Sheet Title

BRACING WALL DETAILS

© JZ 2022
ALL RIGHTS RESERVED
Sheet No.

S008



BRACED WALL PANEL PARALLEL TO FLOOR/CEILING FRAMING
SECTION 3
NOT TO SCALE
3008

TYPICAL PORTAL FRAME CS-PF BRACE DETAIL
SECTION 1
NOT TO SCALE
3008

BRACED WALL PANEL PERPENDICULAR TO FLOOR/CEILING FRAMING
SECTION 2
NOT TO SCALE
3008