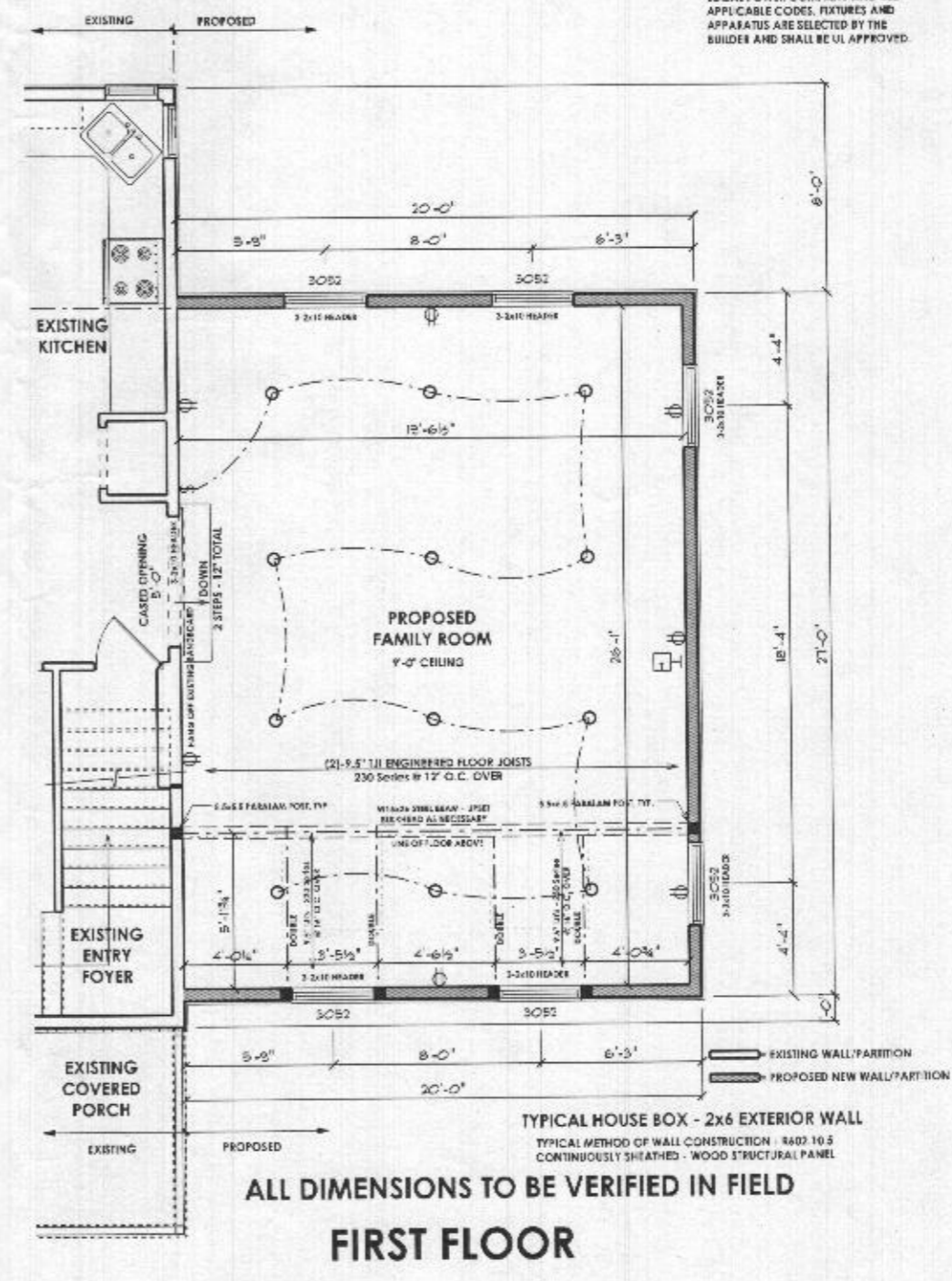
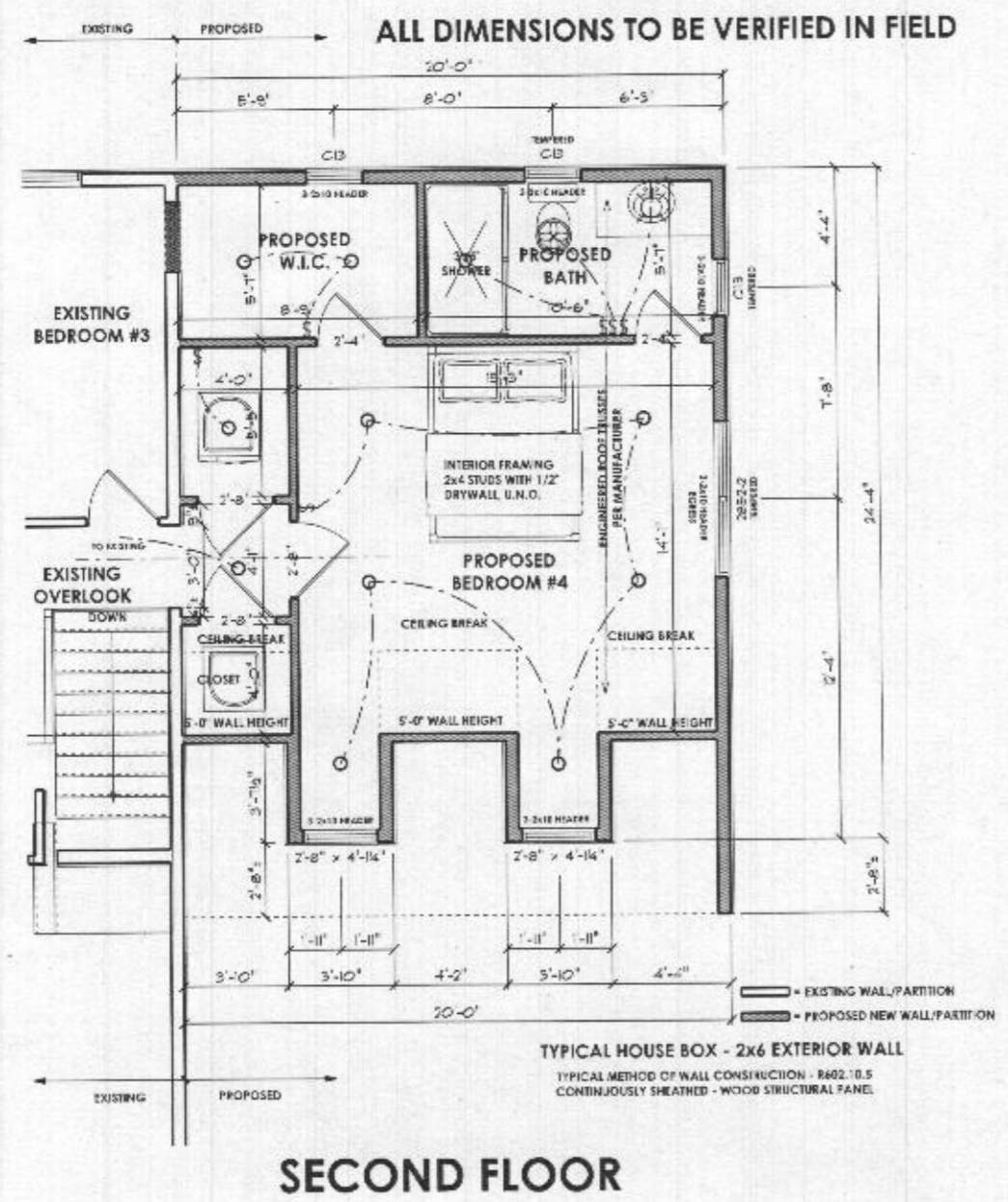


**PROFESSIONAL CERTIFICATION**  
I certify that these documents were prepared or approved by me, and that I am a duly licensed professional architect under the laws of the State of Maryland.  
License Number: #14678  
Expiration Date: 6/30/2022

**NOTICE:**  
THIS DOCUMENT IS AN INSTRUMENT OF SERVICE ONLY. IT IS NOT TO BE REPRODUCED OR TRANSMITTED IN ANY FORM OR BY ANY MEANS, ELECTRONIC OR MECHANICAL, INCLUDING PHOTOCOPYING, RECORDING, OR BY ANY INFORMATION STORAGE AND RETRIEVAL SYSTEM, WITHOUT THE WRITTEN PERMISSION OF JONATHAN RIVERA ARCHITECTURE.  
Copyright © 2022  
Jonathan Rivera Architect  
All Rights Reserved

ELECTRICAL LEGEND			
⊕	DUPLEX RECEPT.	⊙	CEILING MOUNT LIGHT FIXTURE
⊖	GROUND FAULT CIRCUIT INTERRUPTER	⊗	CEILING LIGHT PULL CHAIN
⊕	1-PHASE OUTLET HALF SWITCHED	⊙	RECESSED LIGHT FIXTURE
⊕	220 VOLT DUPLEX OUTLET	⊗	WALL MOUNTED LIGHT FIXTURE
⊕	DUPLEX OUTLET 4' 0" A.F.F.	⊗	FLOOR MOUNT LIGHT FIXTURE
⊕	3-POLE POLE SWITCH	⊗	CEILING FAN
⊕	3-WAY SWITCH	⊗	TELEPHONE
⊕	4-WAY SWITCH	⊗	TELEVISION
⊕	OPPER SWITCH	⊗	THERMOSTAT
⊕	SMOKE DETECTOR	⊗	DOOR CHIME
⊕	BATH FAN NO CFM		

- ELECTRICAL NOTES**
- 1) SEE FLOOR PLANS FOR TYP. NOTES AND DIMENSIONS
  - 2) BASEMENT WINDOW AND DOOR LOCATIONS AND SIZES TO BE DETERMINED AT PRECON.
  - 3) ALL LOCATIONS FOR HVAC, SUMP PUMPS, ROUGH-INS, H/W/H, A/H AND OTHER FEATURES ARE SUBJECT TO BUILDER DISCRETION ON SITE
  - 4) PROVIDE SMOKE DETECTORS AS REQ'D BY LOCAL CODE. WIRED TO A NEARBY CIRCUIT (WITH BATTERY BACK-UP) AND INTERCONNECTED FOR SIMULTANEOUS ACTIVATION.
  - 5) THESE DRAWINGS ARE SCHEMATIC ONLY. THE ELECTRICAL CONTRACTOR IS RESPONSIBLE FOR THE DESIGN AND INSTALLATION OF ALL ELECTRICAL SYSTEMS. ALL ELECTRICAL WORK SHALL MEET THE REQUIREMENTS OF THE NATIONAL ELECTRICAL CODE, THE LOCAL POWER COMPANY AND ALL APPLICABLE CODES. FIXTURES AND APPARATUS ARE SELECTED BY THE BUILDER AND SHALL BE UL APPROVED.



**PROPOSED ADDITION**

**JOHNSON RESIDENCE**  
2120 Florence Road,  
Woodbine, Maryland 21797

**ARCHITECT**  
Jonathan Rivera AIA, NCARB  
Howard County, Maryland  
443.226.5745  
rivera@jonathandrivera.com

**STRUCTURAL ENGINEER**  
Robert Wyatt  
Mid-Atlantic Structural Eng.  
717-504-8407  
wyatt@midatl-se.com

**ISSUE DATE**

1-17-22	REV 01
3-24-22	PERMIT SET

SCALE: 1/4" = 1'-0"

**FLOORPLANS**

**3.01**

PRINT DATE:  
Thursday, March 24, 2022

# NOTE: ALL LOAD BEARING STUD WALLS TO BE DOUBLE TOP PLATE PER WALL SECTIONS

PROFESSIONAL CERTIFICATION  
I certify that these documents were prepared or approved by me, and that I am a duly licensed professional architect under the laws of the State of Maryland.  
License Number #14675  
Expiration Date: 6/30/2022

NUMBER: 115  
THIS DOCUMENT IS AN INSTRUMENT OF PROFESSIONAL SERVICE PREPARED BY JONATHAN RIVERA, ARCHITECT, INC., 1000 W. 10TH STREET, ANNAPOLIS, MD 21403. IT IS THE PROPERTY OF JONATHAN RIVERA, ARCHITECT, INC. AND IS TO BE USED ONLY FOR THE PROJECT AND SITE SPECIFICALLY IDENTIFIED HEREIN.  
Copyright © 2009  
Jonathan Rivera Architect  
All Rights Reserved

## PROPOSED ADDITION

**JOHNSON RESIDENCE**  
3120 Farence Road,  
Woodbine, Maryland 21797

ARCHITECT  
Jonathan Rivera AIA, NCARB  
Howard County, Maryland

443.226.5745  
jrvera@jonathanrivera.com

STRUCTURAL ENGINEER  
Robert Wyatt  
Mid-Atlantic Structural Eng.

717-504-8407  
rwyatt@midatl-se.com

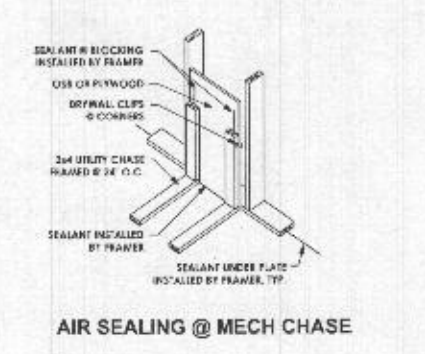
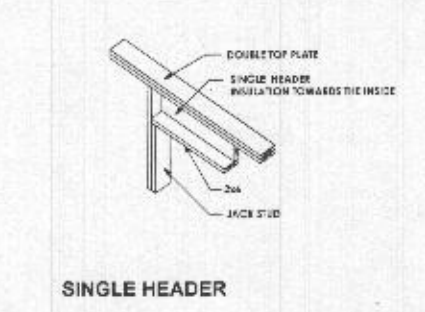
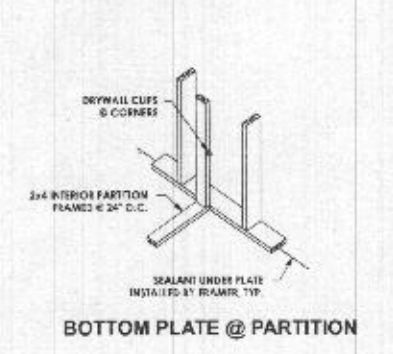
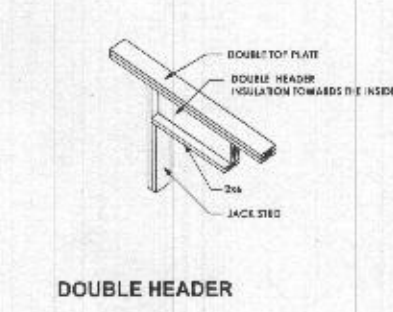
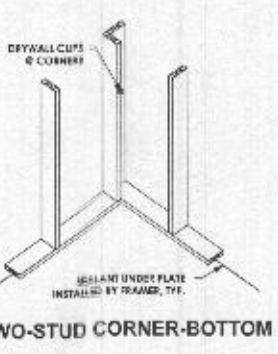
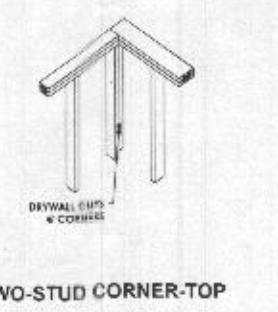
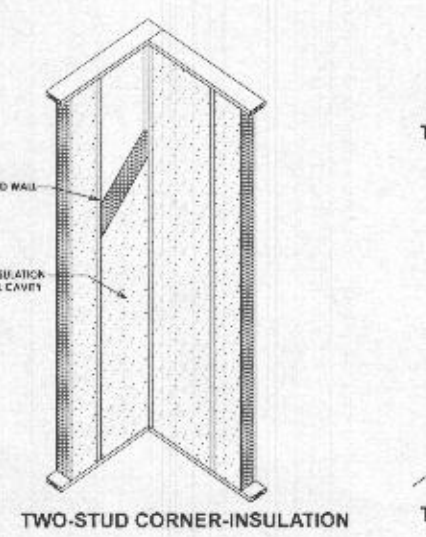
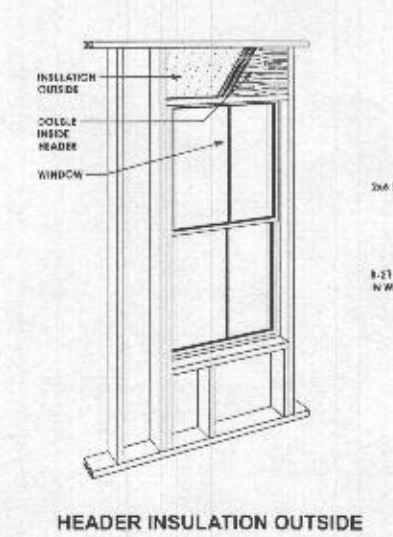
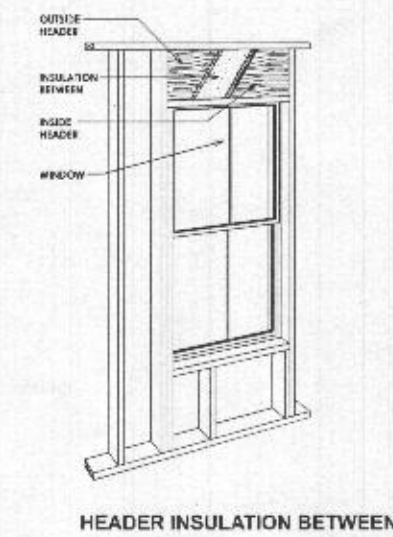
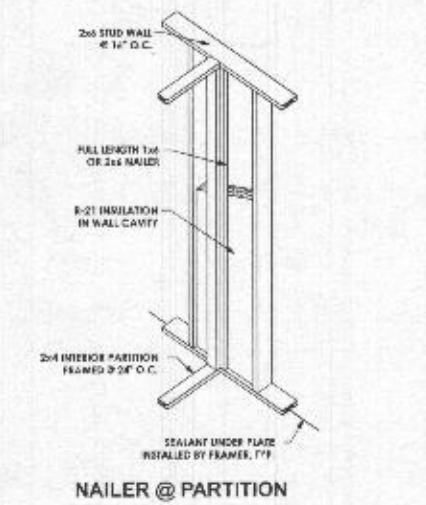
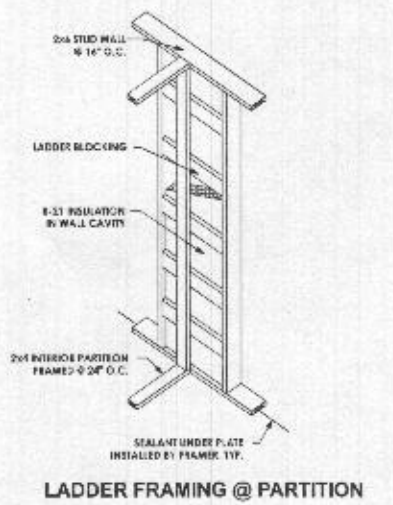
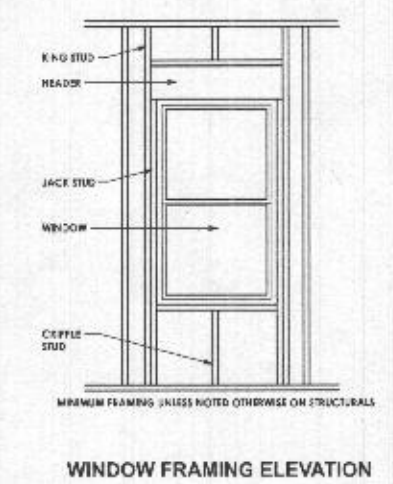
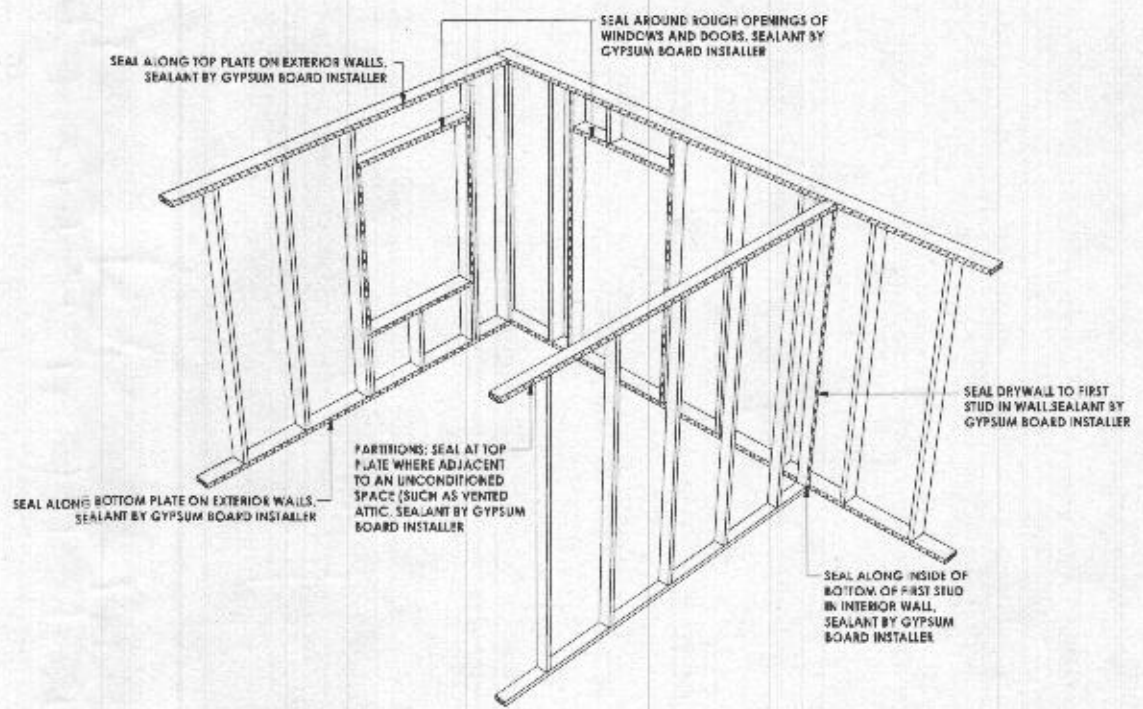
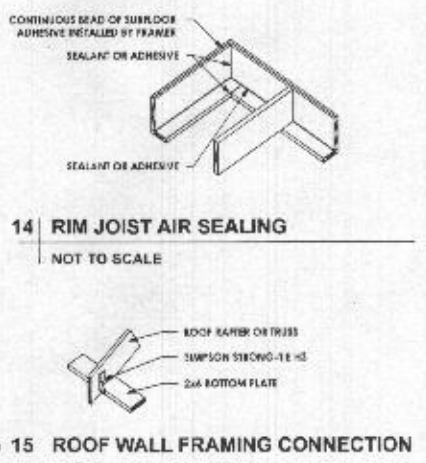
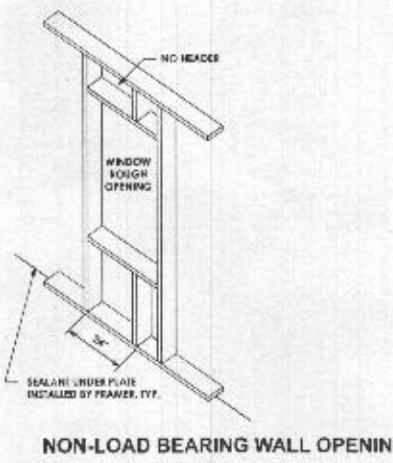
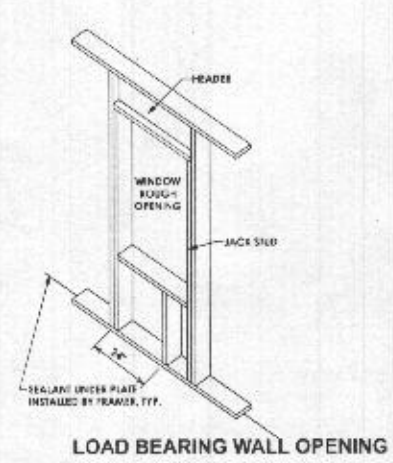
### ISSUE DATE

1	1-17-22	BY: RT
2	2-24-22	PER: RT

SCALE: N.T.S.

### DETAILS

**3.02**  
PRINT DATE:  
Thursday, March 24, 2022



**PROFESSIONAL CERTIFICATION**  
 I certify that these documents were prepared or approved by me, and that I am a duly licensed professional architect under the laws of the State of Maryland.  
 License Number #14678  
 Expiration Date: 6/30/2022

**WARNING:**  
 NO PORTION OF ANY PART OF THESE DOCUMENTS SHALL BE REPRODUCED OR TRANSMITTED IN ANY FORM OR BY ANY MEANS, ELECTRONIC OR MECHANICAL, INCLUDING PHOTOCOPYING, RECORDING, OR BY ANY INFORMATION STORAGE AND RETRIEVAL SYSTEM, WITHOUT THE WRITTEN PERMISSION OF THE ARCHITECT.  
 Copyright © 2022  
 Jonathan Rivera Architect  
 All Rights Reserved

**PROPOSED ADDITION**

**JOHNSON RESIDENCE**  
 3120 Florence Road,  
 Woodbine, Maryland 21797

**ARCHITECT**  
 Jonathan Rivera AIA, NCARB  
 Howard County, Maryland

443.226.5745  
 jrvera@jonathanrivera.com

**STRUCTURAL ENGINEER**  
 Robert Wyoff  
 Mid-Atlantic Structural Eng.

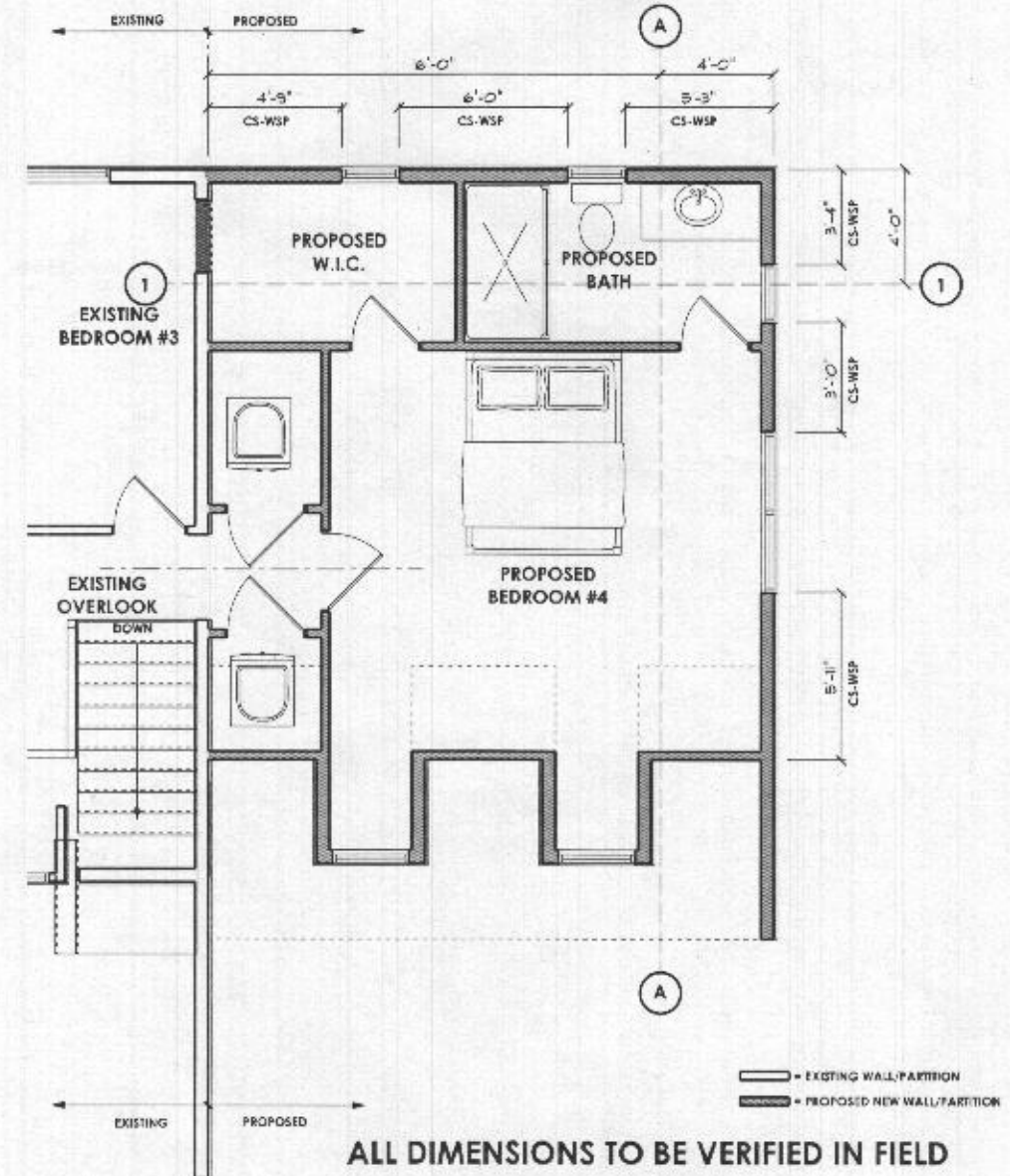
717-504-8407  
 rwyoff@midatl-se.com

**ISSUE DATE**

- ▲ 1-17-22 SD SET
- ▲ 2-04-22 PERMIT SET
- ▲
- ▲
- ▲
- ▲
- ▲
- ▲
- ▲

SCALE: 1/4" = 1'-0"

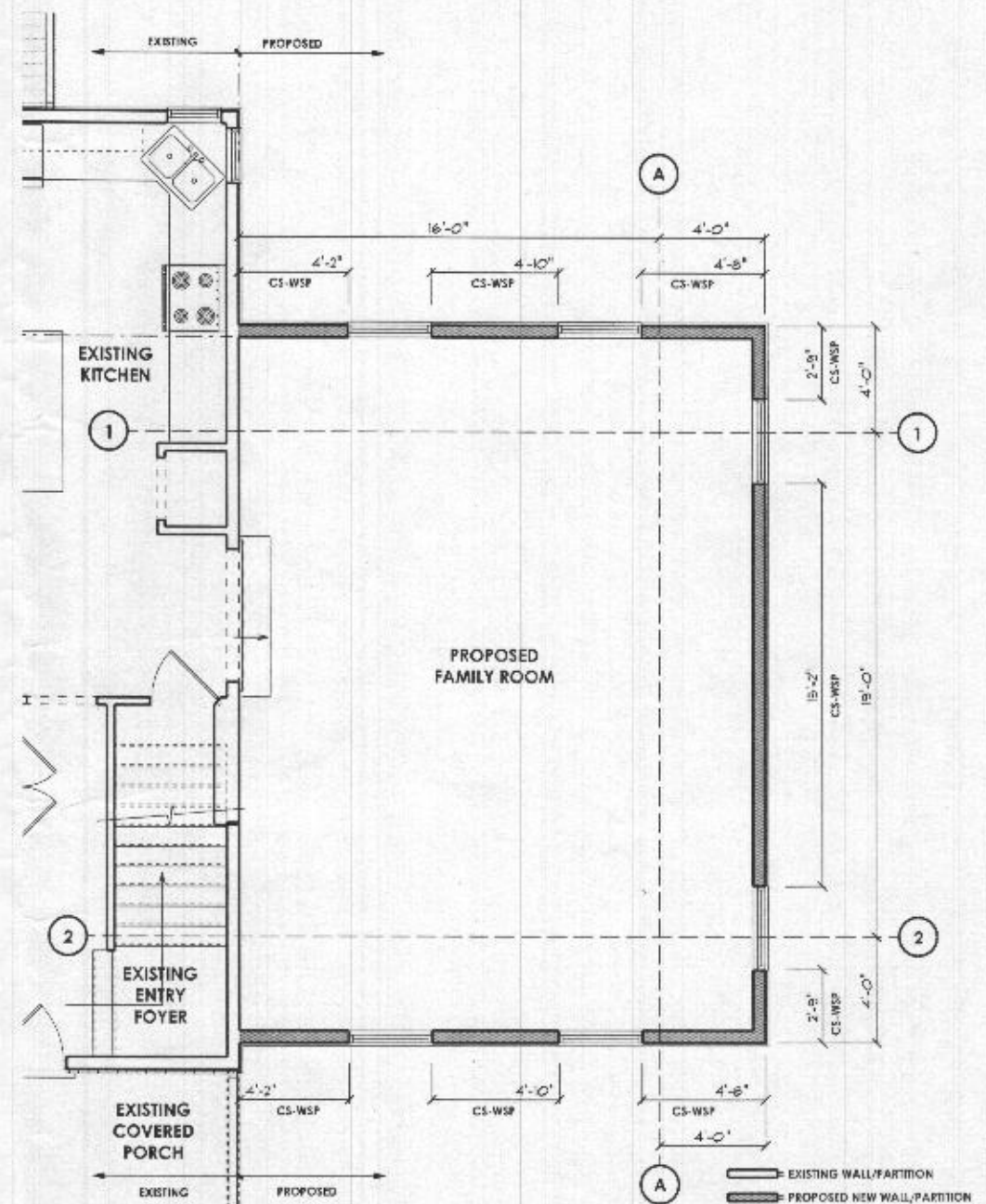
**BRACING**  
**3.51**  
 PRINT DATE:  
 Thursday, March 24, 2022



**SECOND FLOOR CALCULATIONS**

BRACED WALL LINE	WALL PANEL TYPE	NET REQUIRED WALL BRACING FT.	ACTUAL PROVIDED WALL BRACING FT.
A	CS-WSP	6.66'	13.08'
1	CS-WSP	6.21'	16.00'

**SECOND FLOOR**

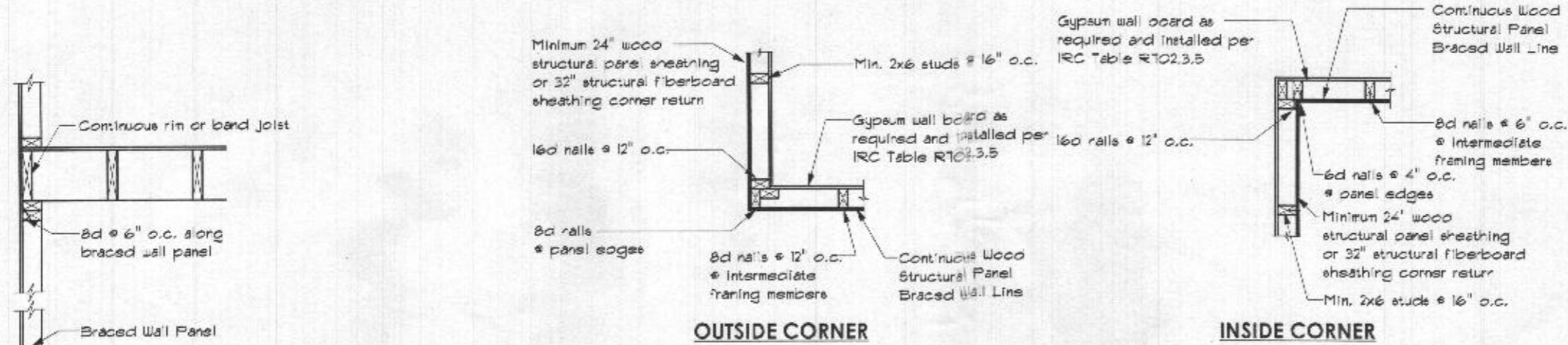


**FIRST FLOOR CALCULATIONS**

BRACED WALL LINE	WALL PANEL TYPE	NET REQUIRED WALL BRACING FT.	ACTUAL PROVIDED WALL BRACING FT.
A	CS-WSP	6.66'	20.67'
1	CS-WSP	7.40'	13.67'
2	CS-WSP	7.40'	13.67'

**FIRST FLOOR**

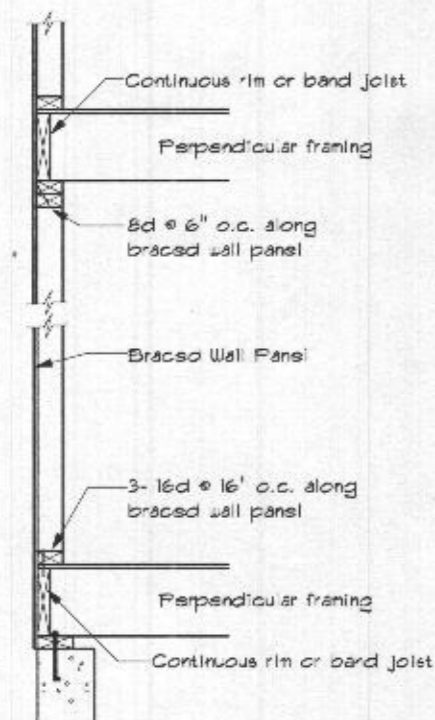
# EXTERIOR CORNER WALL DETAILS



Methods WSP & CS-WSP: Min. 1/8" OSB Wood Structural Panel sheathing attached to framing with 8d at 6" o.c. at panel edges and 12" o.c. at intermediate framing members.  
 Note: At Braced Wall Lines incorporating continuously sheathed bracing methods (CS-WSP & CS-PF), all exterior walls along the Braced Wall Line must be fully sheathed with min 1/8" OSB Wood Structural Panel sheathing fastened per IRC Tables R602.3(1), R602.3(2), and R602.3(3).  
 Method GB: Min. 1/2" gypsum board applied to each side of framing with adhesive and Type S or W screws @ 7" o.c. at panel edges and 24" o.c. at intermediate framing members or nails per IRC Table R702.3.5 @ 7" o.c. at panel edges and 16" o.c. at intermediate framing members.

## BRACED EXTERIOR WALL PANEL CONNECTION WHEN PARALLEL TO FLOOR/CEILING FRAMING

TYPICAL AT ALL EXTERIOR, PLYWOOD SHEATHED WALLS



- ALL DESIGNATED EXTERIOR BRACED WALLS SHALL BE A MINIMUM 1/8" PANEL SHEATHING ATTACHED TO FRAMING WITH 8d COMMON NAILS @ 6" O.C. AT PANEL EDGES AND 12" O.C. AT INTERMEDIATE FRAMING MEMBERS. SOLE PLATS SHALL BE FASTENED TO JOIST OR SOLID WOOD BLOCKING WITH (3) 16d NAILS AT 16" O.C. RIM JOIST TO PLATE OR BILL @ 6" O.C. TO ENAIL.
- ALL EXTERIOR WALL CORNERS SHALL BE FRAMED PER DETAIL.
- ALL DESIGNATED INTERIOR BRACED WALLS SHALL BE MIN 1/2" GYPSUM BOARD APPLIED TO BOTH FACES OF FRAMING WITH ADHESIVE AND TYPE S OR W SCREWS AT 24" O.C.
- DESIGNATED NARROW WALL BRACING SHALL BE CONSTRUCTED IN ACCORDANCE WITH BRACED WALL DETAILS.
- TENSION HOLD-DOWN STRAP OF 800# - ex. (SIMPSON CM614 STRAP W/ 5-16d NAILS EACH END.)

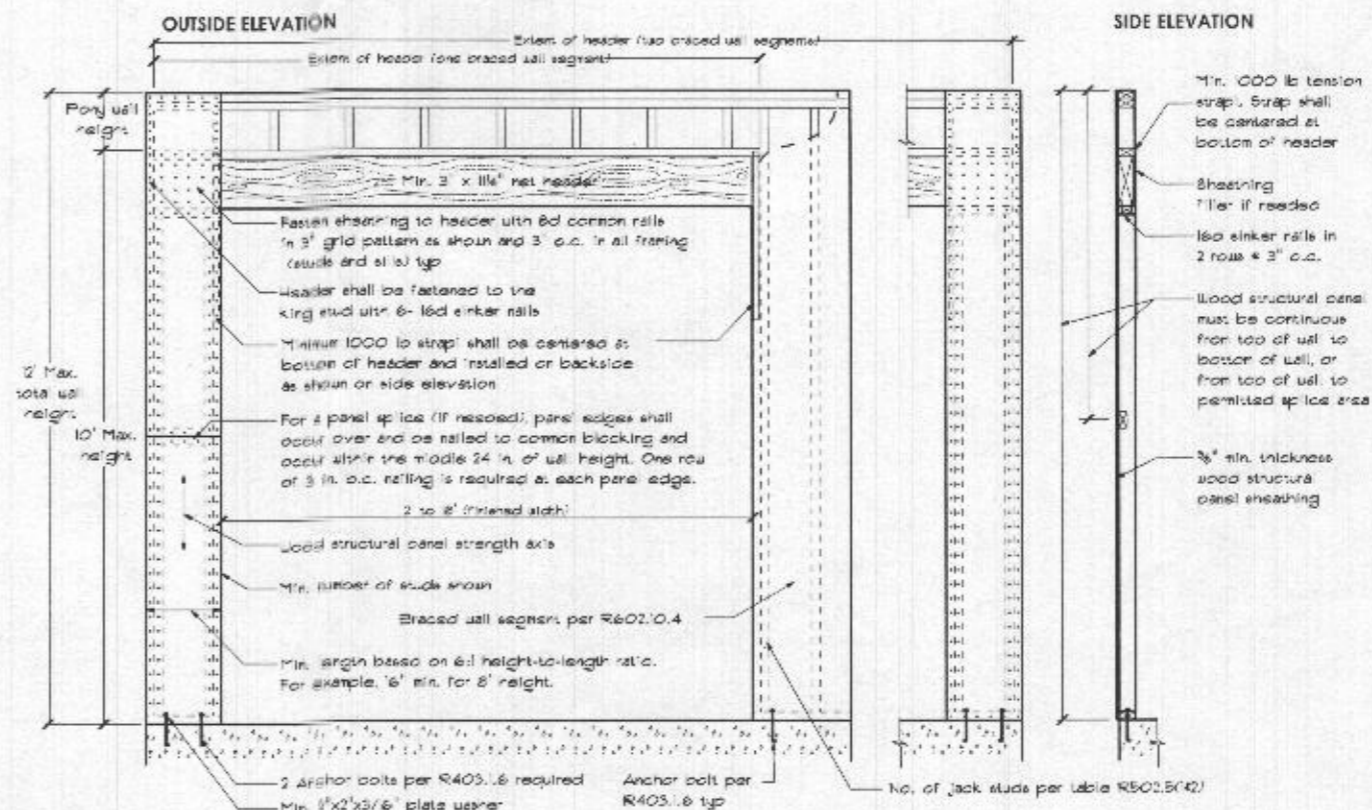
## BRACED EXTERIOR WALL PANEL CONNECTION WHEN PERPENDICULAR TO FLOOR/CEILING FRAMING

TYPICAL AT ALL EXTERIOR, PLYWOOD SHEATHED WALLS

## Tension Strap Capacity Required for Method CS-PF

Minimum Wall Stud Framing Nominal Size and Grade	Maximum Pony Wall Height (feet)	Maximum Total Wall Height (feet)	Maximum Opening Width (feet)	Wind Exposure B	Wind Exposure C
				Tension strap capacity required (lbf)	
2x6 Stud Grade	2	12	9	1000	1750
			16	2050	3550
			18	2450	4100
	4	12	9	1500	2775
			16	3150	DR
			18	3675	DR

Notes: 1. Basic Wind Speed of 90mph. For other Basic Wind Speeds, see IRC Table R602.10.4.1.1  
 2. DR = Design Required



OVER CONCRETE OR MASONRY BLOCK FOUNDATION

ARCHITECT  
**JONATHAN RIVERA**  
 ARCHITECT  
 (410) 226-5745  
 JONATHANRIVERA.COM

PROFESSIONAL CERTIFICATION  
 I certify that these documents were prepared or approved by me, and that I am a duly licensed professional architect under the laws of the State of Maryland, License Number #14678, Expiration Date: 6/30/2022

Copyright © 2022  
 Jonathan Rivera Architect  
 All Rights Reserved

## PROPOSED ADDITION

**JOHNSON RESIDENCE**  
 3120 Florence Road,  
 Woodbine, Maryland 21797

ARCHITECT  
 Jonathan Rivera AIA, NCARB  
 Howard County, Maryland

443.226.5745  
 jrvera@jonathanrivera.com

STRUCTURAL ENGINEER  
 Robert Wyatt  
 Mid-Atlantic Structural Eng.

717-504-8407  
 rwyatt@midatl-se.com

## ISSUE DATE

1-17-22	RD SET
3-24-22	PERMITS SET

SCALE: 1/4" = 1'-0"

## BRACING DETAILS

**3.52**  
 PRINT DATE:  
 Thursday, March 24, 2022

PROFESSIONAL CERTIFICATION  
 I certify that these documents were prepared or approved by me, and that I am a duly licensed professional architect under the laws of the State of Maryland. License Number #14678 Expiration Date: 6/30/2022

REGISTERED PROFESSIONAL ARCHITECT  
 STATE OF MARYLAND  
 License No. 14678  
 Jonathan Rivera Architect  
 All rights reserved

**PROPOSED ADDITION**

**JOHNSON RESIDENCE**  
 3120 Florence Road,  
 Woodbine, Maryland 21797

ARCHITECT  
 Jonathan Rivera AIA, NCARB  
 Howard County, Maryland

443.226.5745  
 jrvera@jonathanrivera.com

STRUCTURAL ENGINEER  
 Robert Wyatt  
 Mid-Atlantic Structural Eng.

717-964-8407  
 rwyatt@midatl-se.com

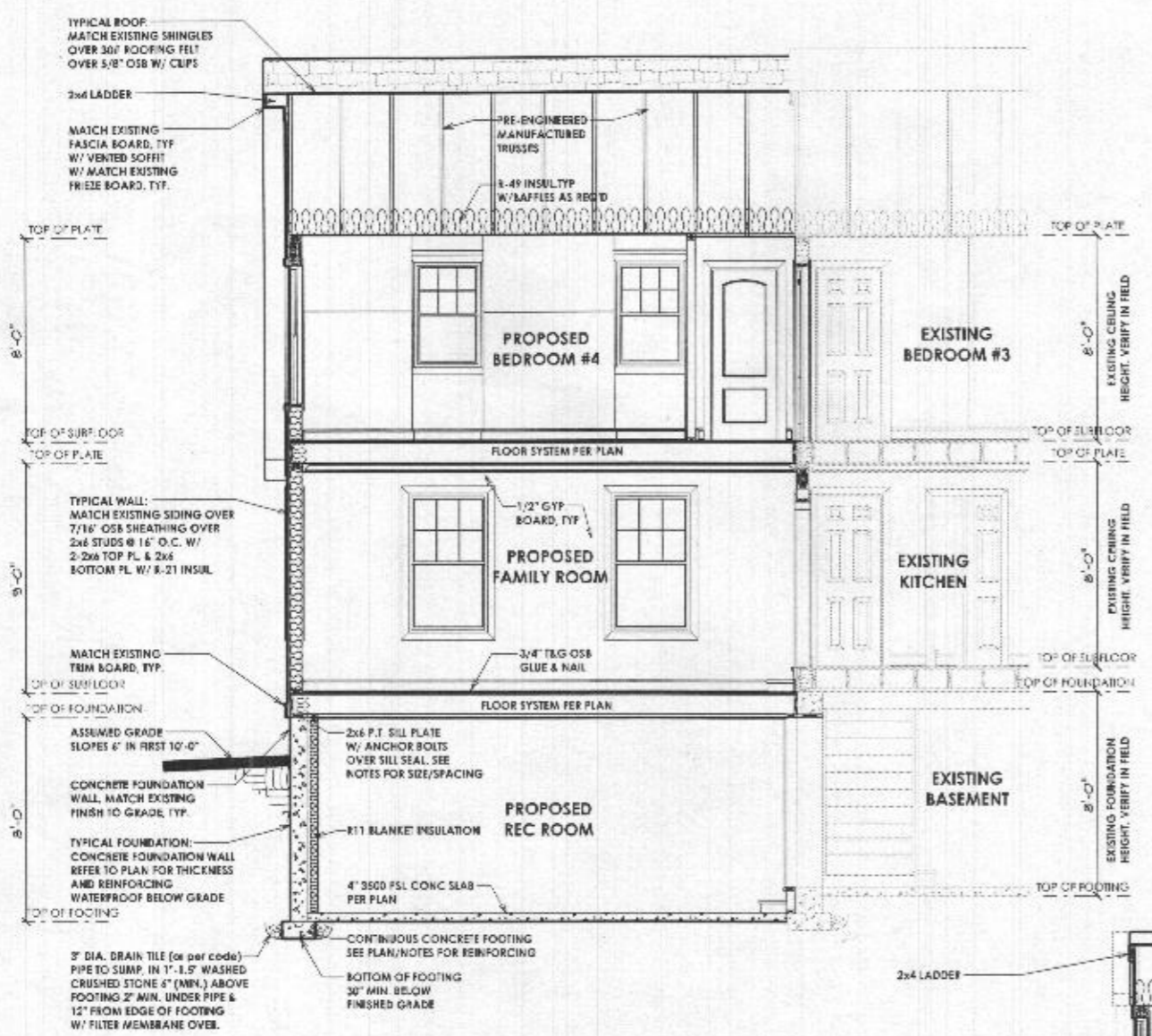
ISSUE DATE

1	1-17-22	NO. 00
2	2-24-22	YEAR 00
3		
4		
5		
6		
7		
8		
9		
10		

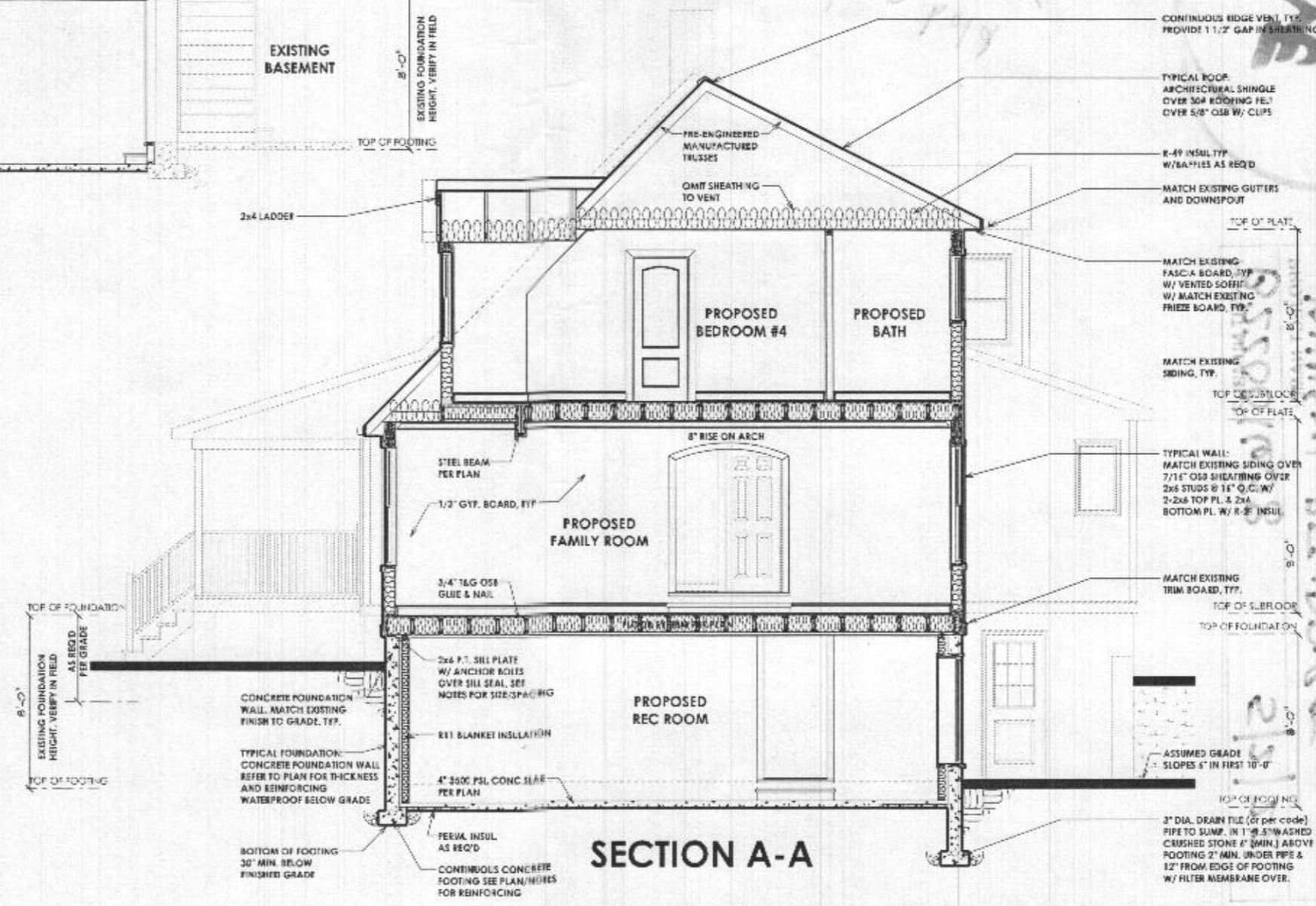
SCALE: 1/4" = 1'-0"

SECTIONS  
**4.01**  
 PRINT DATE:  
 Thursday, March 24, 2022

- SECTION NOTES**
- 1) 2000 PSF MIN SOB BEARING CAPACITY ASSUMED
  - 2) BEAMS, JOISTS, HEADERS & RAFTERS TO BE SPF #1, #2 OR EQ. TYP THROUGH U.S.O.
  - 3) BASEMENT WINDOW LOCATIONS TO BE DETERMINED AT PRECON.
  - 4) ALL LOCATIONS FOR HVAC, SLUMP PUMPS, ROUGH-INS, H/W/H, A/H AND OTHER FEATURES ARE SUBJECT TO BUILDER DISCRETION ON SITE
  - 5) FOUNDATION WALL MIN. THICKNESS 10" WHERE STEM WALL AT BRICK LEDGE EXCEEDS 15" HIGH
  - 6) VERIFY SIZE AND LOCATION OF WINDOWS PER GRADE & BUILDER
  - 7) MIN. 1/2" HOOKED ANCHOR BOLTS EMBEDDED A MIN. 7" INTO CONC. SHALL BE SPACED AT 4' O.C. AND LOCATED 4" & 12" FROM EACH END OF ALL SILL PLATE PIECES.



**SECTION B-B**



**SECTION A-A**

*Handwritten notes:*  
 2x11 on 1/19  
 2x11 on 1/19  
 2x11 on 1/19

*Handwritten notes:*  
 CONTINUOUS EDGE VENT, TYP. PROVIDE 1 1/2" GAP IN SHEATHING

*Handwritten notes:*  
 JOHNSON RESIDENCE  
 PROPOSED ADDITION

*Handwritten notes:*  
 CELL 307.2

*Handwritten notes:*  
 FEBRUARY 2022