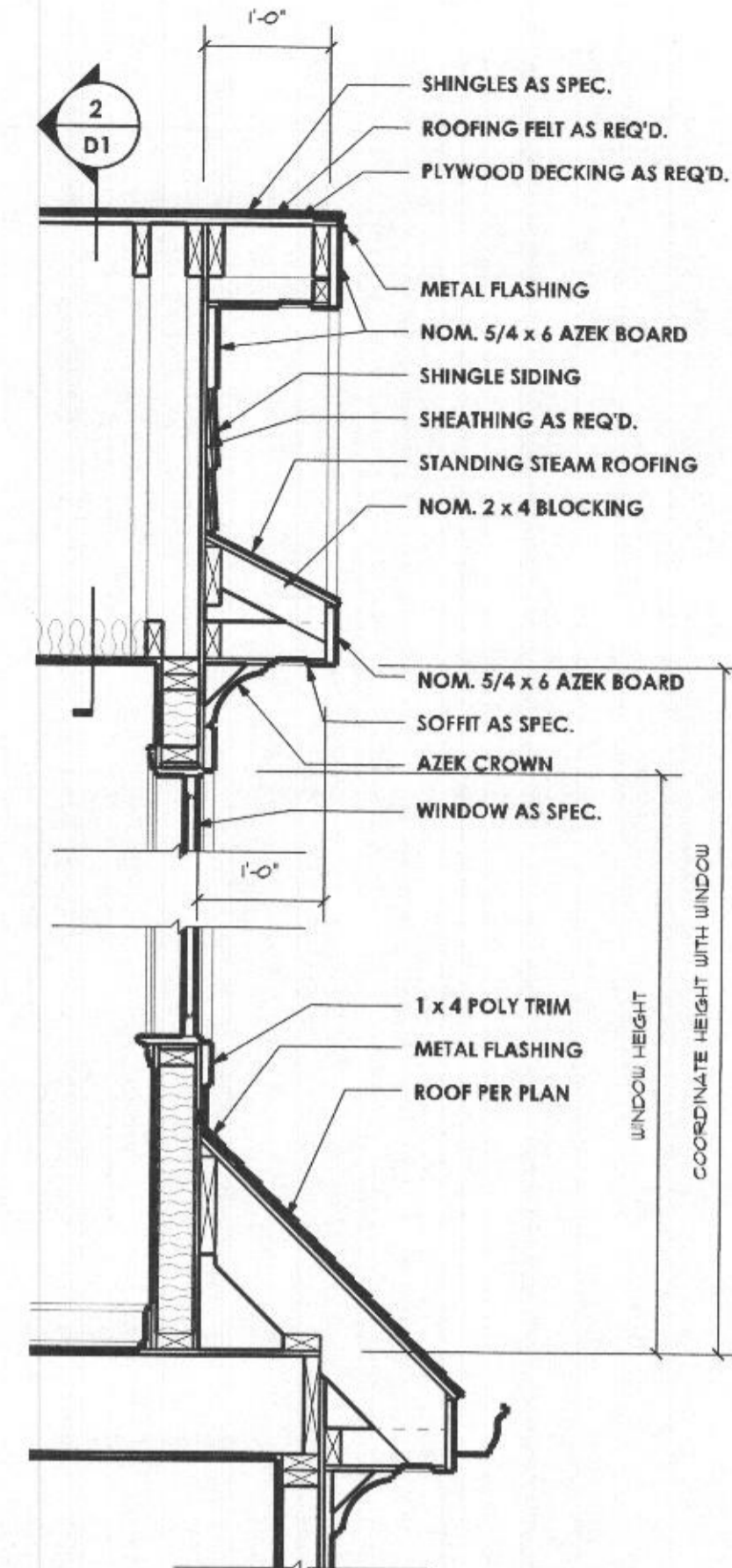
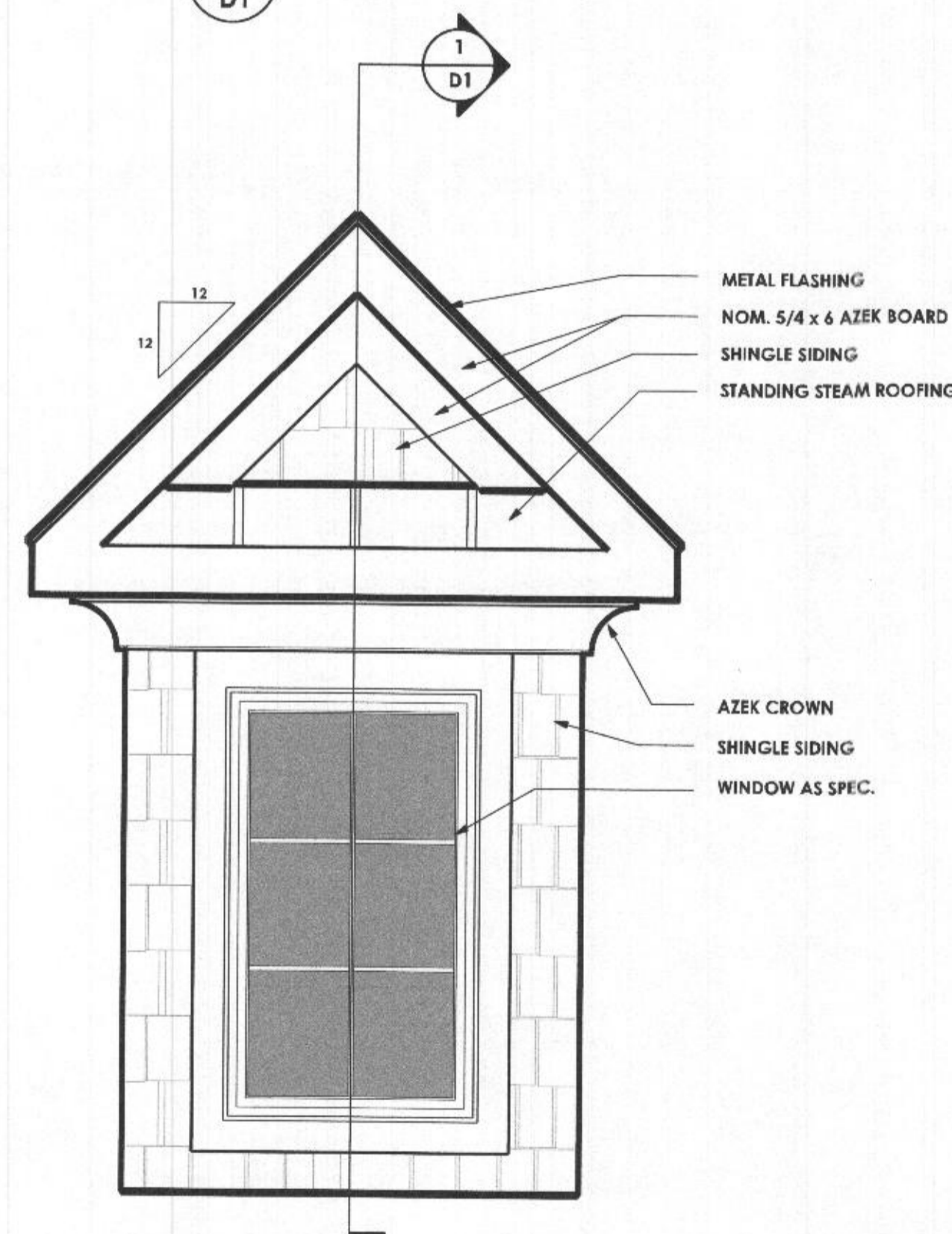


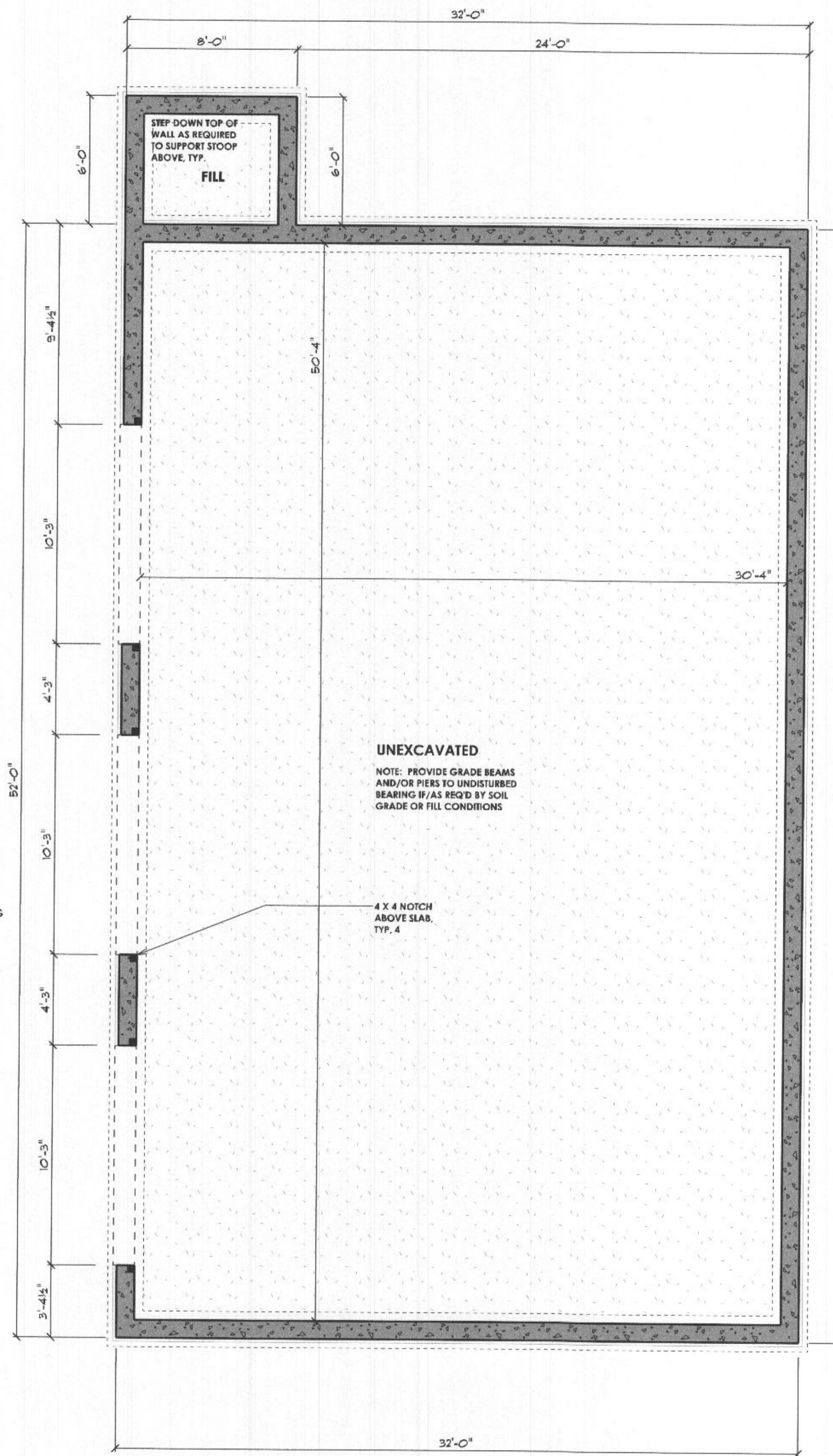
ROOF PLAN



1 WALL SECTION



DORMER DETAIL



FOUNDATION PLAN

FOUNDATION NOTES

- 1) 2000 PSF MIN SOIL BEARING CAPACITY ASSUMED
- 2) BEAMS, JOISTS, HEADERS & RAFTERS TO BE SPF #1/A2 OR EQ. TYP THROUGH U.S.A.
- 3) ALL LOCATIONS FOR HVAC, SUMP PUMPS, ROUGH-INS, R/W/H, A/W AND OTHER FEATURES ARE SUBJECT TO BUILDER DISCRETION ON SITE
- 4) FOUNDATION WALL MIN. THICKNESS 8" or 10" WHERE STEM WALL AT BRICK LEDGE EXCEEDS 12" HIGH
- 5) MIN. 1/2" HOOKED ANCHOR BOLTS EMBEDDED A MIN. 7" INTO CONC. SHALL BE SPACED AT 4' O.C. AND LOCATED 4" TO 12" FROM EACH END OF ALL SILL PLATE PIECES.
- 6) REFER TO WALL SECTION(S) FOR FOUNDATION WALL DETAILS.

TYPICAL GARAGE FOUNDATION WALL

MIN. 10" REINFORCED CONCRETE FOUNDATION WALL (THICKNESS & REINFORCING PER SOIL & GRADE CONDITIONS & CODE)
MIN. 10"x24" CONTINUOUS FOOTING

PROFESSIONAL CERTIFICATION
I certify that these documents were prepared or approved by me, and that I am a duly licensed professional architect under the laws of the State of Maryland, License Number #14678, Expiration Date: 6/30/2022

WARNING: THIS DOCUMENT IS AN INSTRUMENT OF PROFESSIONAL SERVICE PREPARED BY JONATHAN RIVERA ARCHITECT. ALIENATION OF THIS DOCUMENT BY ANY PARTY OTHER THAN JONATHAN RIVERA ARCHITECT IS A VIOLATION OF LAW THAT WILL BE PROSECUTED TO THE FULLEST EXTENT.
Copyright © 2009
Jonathan Rivera Architect
All Rights Reserved

PROPOSED RESIDENCE

FIELDS RESIDENCE
1110 Henryton Road
Marriottsville, Maryland
21104

ARCHITECT
Jonathan Rivera AIA, NCARB
Howard County, Maryland

443.226.5745
jrvera@jonathanrivera.com

STRUCTURAL ENGINEER
Robert Wyatt
Mid-Atlantic Structural Eng.

717-504-8407
rwyatt@midatl-se.com

BUILDER
Mueller Homes
7520 Main Street, Suite 201
Sykesville, Maryland 21784

410.549.4444
paulj@muellerhomes.com

ISSUE DATE

1	3-12-22	PERMIT SET
△		
△		
△		
△		
△		
△		
△		
△		

SCALE: 1/4" = 1'-0"

FOUNDATION

2.02

PRINT DATE:
Tuesday, March 22, 2022

PROFESSIONAL CERTIFICATION
 I certify that these documents were prepared or approved by me, and that I am a duly licensed professional architect under the laws of the State of Maryland, License Number #14678, Expiration Date: 6/30/2022

WARNING: THIS DOCUMENT IS AN INSTRUMENT OF PROFESSIONAL SERVICE PREPARED BY JONATHAN RIVERA ARCHITECTS. ANY REPRODUCTION OF THIS DOCUMENT BY ANY PARTY OTHER THAN JONATHAN RIVERA ARCHITECTS IS A VIOLATION OF LAW THAT WILL BE PROSECUTED TO THE FULLEST EXTENT.
 Copyright © 2009 Jonathan Rivera Architect All Rights Reserved

PROPOSED RESIDENCE

FIELDS RESIDENCE
 1110 Henryton Road
 Marriottsville, Maryland
 21104

ARCHITECT
 Jonathan Rivera AIA, NCARB
 Howard County, Maryland

443.226.5745
 jrivera@jonathanrivera.com

STRUCTURAL ENGINEER
 Robert Wyatt
 Mid-Atlantic Structural Eng.

717-504-8407
 rwyatt@midatl-se.com

BUILDER
 Mueller Homes
 7520 Main Street, Suite 201
 Sykesville, Maryland 21784

410.549.4444
 paulj@muellerhomes.com

ISSUE DATE

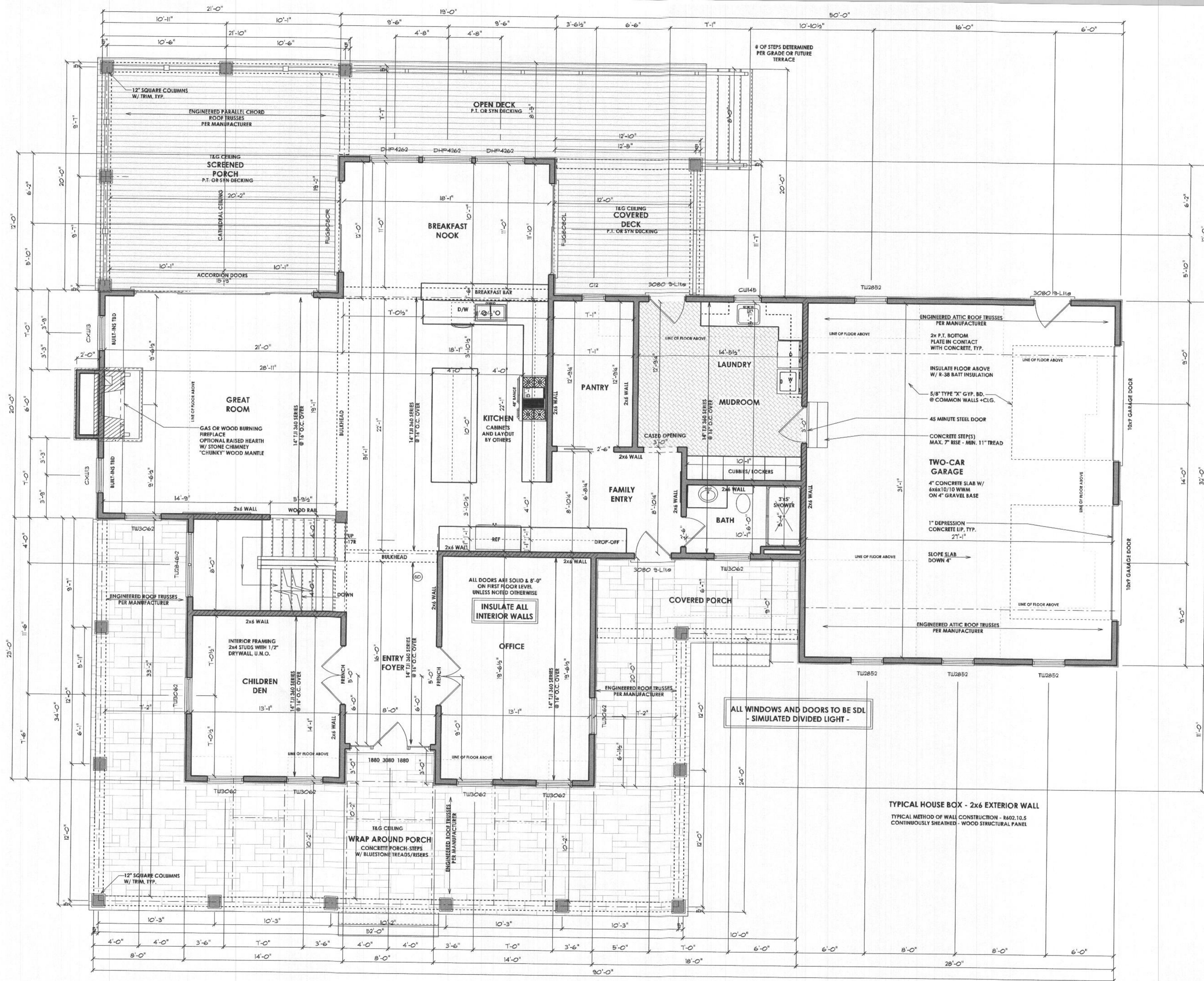
- 3-12-22 PERMIT SET
- ▲
- ▲
- ▲
- ▲
- ▲
- ▲
- ▲
- ▲
- ▲

SCALE: 1/4" = 1'-0"

1ST FLOOR

3.01

PRINT DATE:
 Tuesday, March 22, 2022



PROFESSIONAL CERTIFICATION
 I certify that these documents
 were prepared or approved
 by me, and that I am a duly
 licensed professional
 architect under the laws of the
 State of Maryland.
 License Number #14678
 Expiration Date: 6/30/2022

WARNING:
 THIS DOCUMENT IS AN INSTRUMENT OF
 PROFESSIONAL SERVICE PREPARED BY JONATHAN
 RIVERA ARCHITECT. A VIOLATION OF THIS
 DOCUMENT BY ANY PARTY OTHER THAN JONATHAN
 RIVERA ARCHITECT IS A VIOLATION OF LAW THAT
 WILL BE PROSECUTED TO THE FULLEST EXTENT.

Copyright © 2009
 Jonathan Rivera Architect
 All Rights Reserved

PROPOSED RESIDENCE

FIELDS RESIDENCE

1110 Henryton Road
 Marlottsville, Maryland
 21104

ARCHITECT

Jonathan Rivera AIA, NCARB
 Howard County, Maryland

443.226.5745

jriv@jonathanrivera.com

STRUCTURAL ENGINEER

Robert Wyatt
 Mid-Atlantic Structural Eng.

717-504-8407

rwyt@midatl-se.com

BUILDER

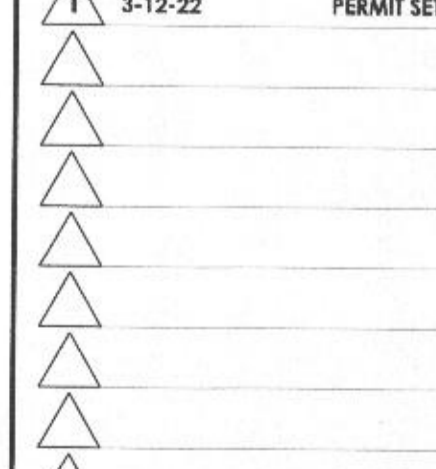
Mueller Homes
 7520 Main Street, Suite 201
 Sykesville, Maryland 21784

410.549.4444

pauljr@muellerhomes.com

ISSUE DATE

1 3-12-22 PERMIT SET

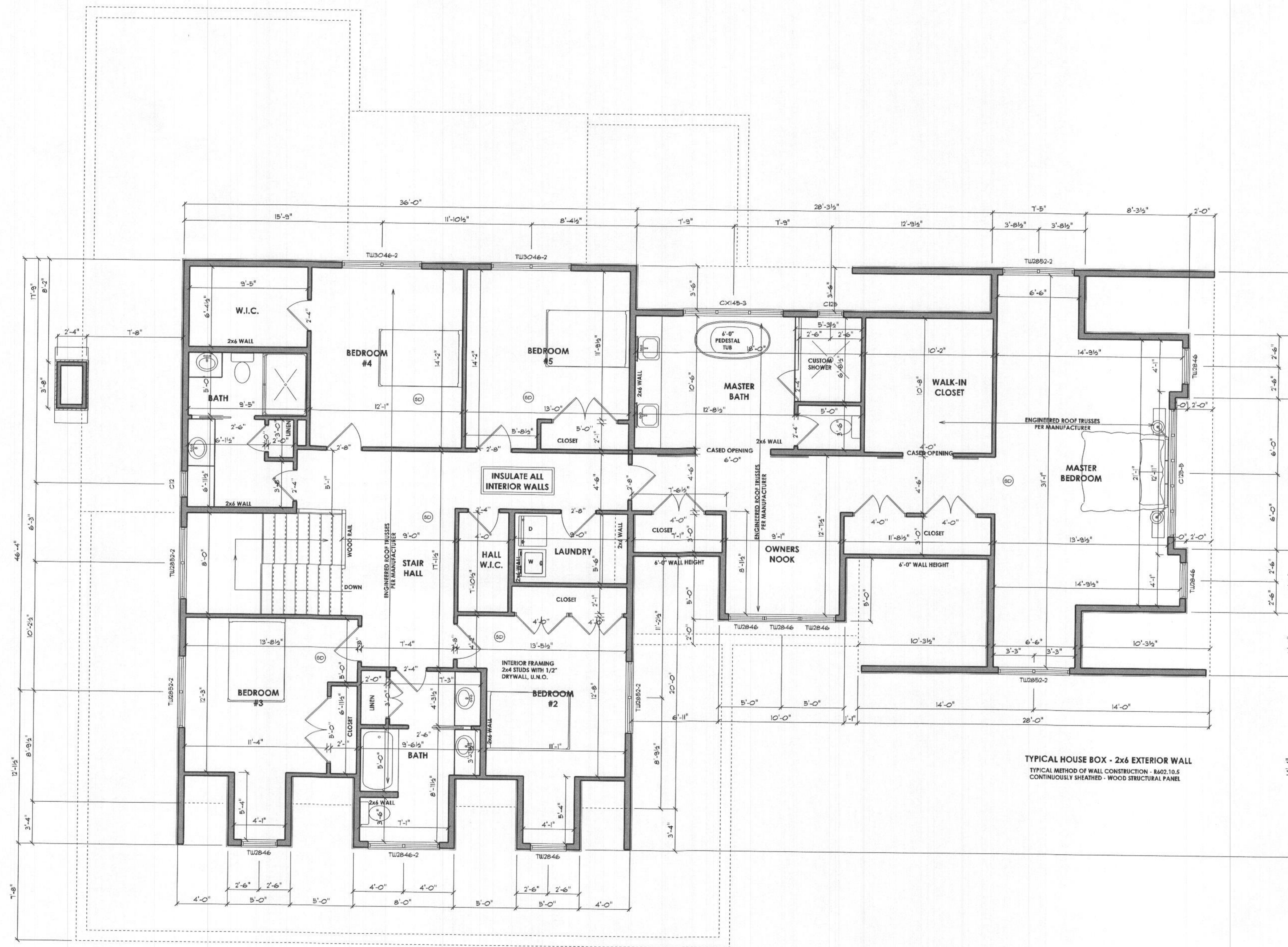


SCALE: 1/4"=1'-0"

SECOND FLOOR

3.02

PRINT DATE:
 Tuesday, March 22, 2022



PROFESSIONAL CERTIFICATION
 I certify that these documents were prepared or approved by me, and that I am a duly licensed professional architect under the laws of the State of Maryland, License Number #14678, Expiration Date: 6/30/2022

WARNING: THIS DOCUMENT IS AN INSTRUMENT OF PROFESSIONAL SERVICE PREPARED BY JONATHAN RIVERA ARCHITECT. ATTRIBUTION OF THIS DOCUMENT BY ANY PARTY OTHER THAN JONATHAN RIVERA ARCHITECT IS A VIOLATION OF LAW THAT WILL BE PROSECUTED TO THE FULLEST EXTENT.
 Copyright © 2007
 Jonathan Rivera Architect
 All Rights Reserved

PROPOSED RESIDENCE

FIELDS RESIDENCE
 1110 Henryton Road
 Marriottsville, Maryland
 21104

ARCHITECT
 Jonathan Rivera AIA, NCARB
 Howard County, Maryland

443.226.5745
 jrvera@jonathanrivera.com

STRUCTURAL ENGINEER
 Robert Wyatt
 Mid-Atlantic Structural Eng.

717-504-8407
 rwyatt@midatl-se.com

BUILDER
 Mueller Homes
 7520 Main Street, Suite 201
 Sykesville, Maryland 21784

410.549.4444
 pauljr@muellerhomes.com

ISSUE DATE

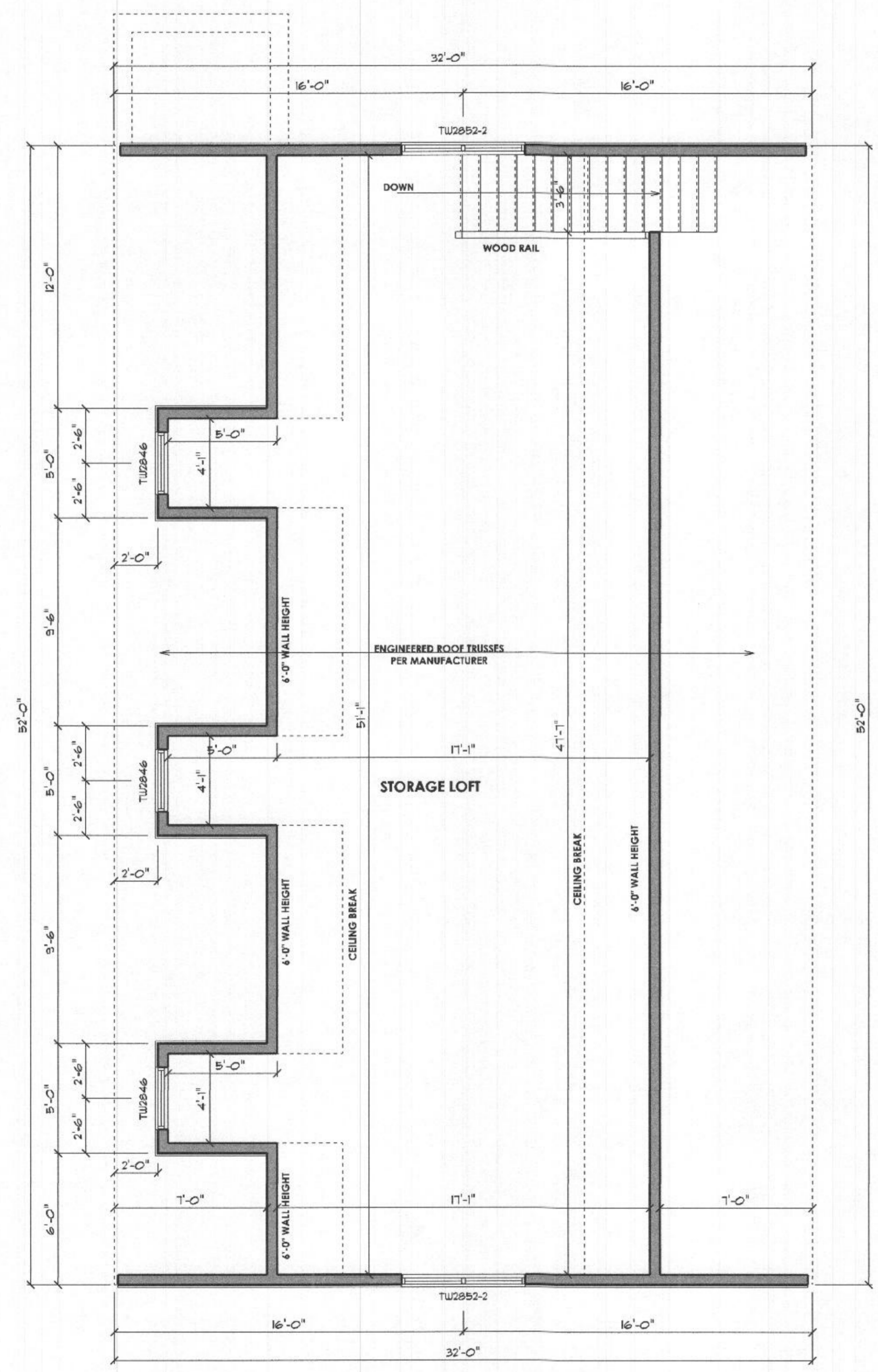
1	3-12-22	PERMIT SET
▲		
▲		
▲		
▲		
▲		
▲		
▲		

SCALE: 1/4" = 1'-0"

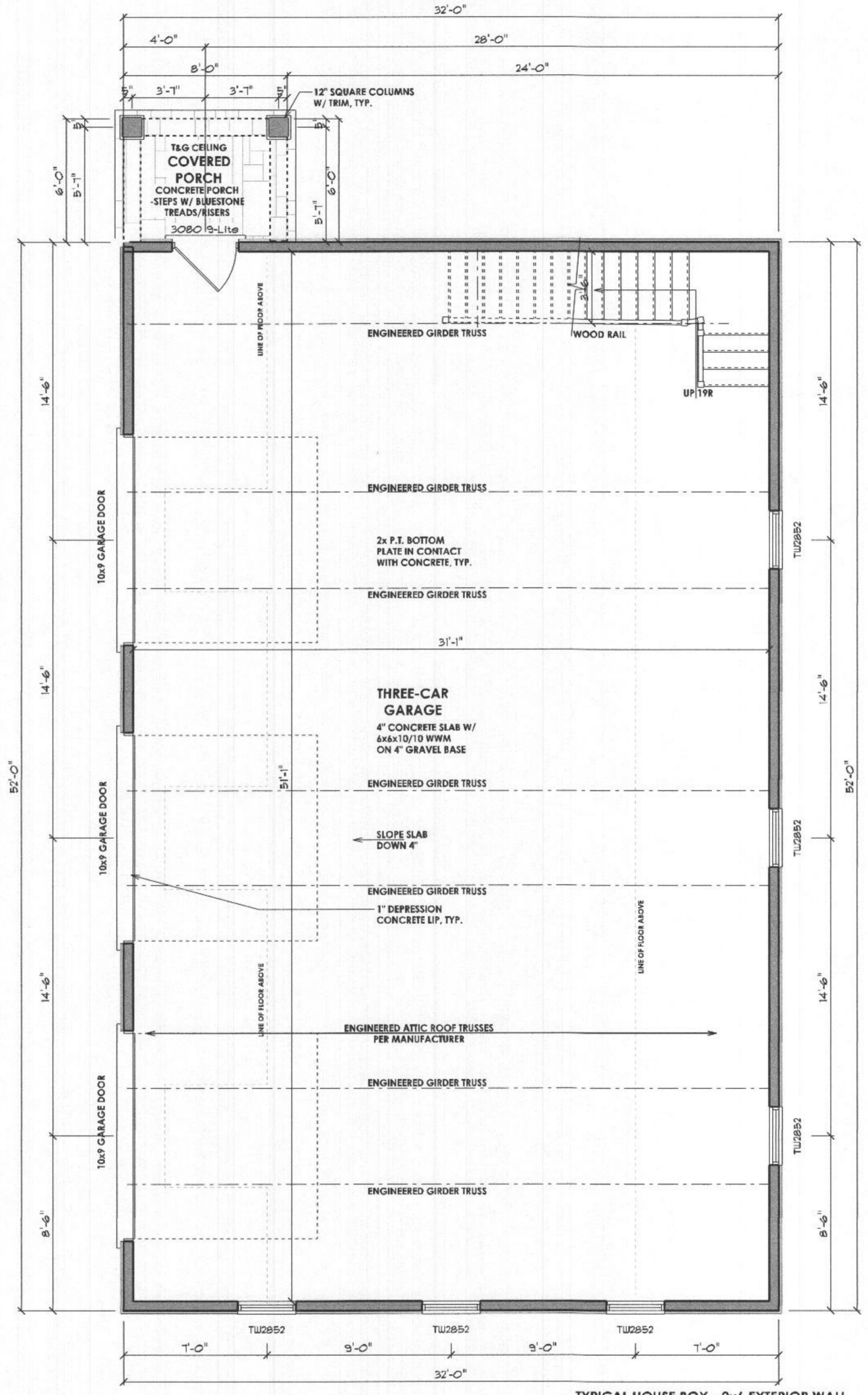
DET. GARAGE

3.03

PRINT DATE:
 Tuesday, March 22, 2022



SECOND FLOOR



GROUND FLOOR

TYPICAL HOUSE BOX - 2x6 EXTERIOR WALL
 TYPICAL METHOD OF WALL CONSTRUCTION - R602.10.5
 CONTINUOUSLY SHEATHED - WOOD STRUCTURAL PANEL

PROFESSIONAL CERTIFICATION
 I certify that these documents were prepared or approved by me, and that I am a duly licensed professional architect under the laws of the State of Maryland, License Number #14678 Expiration Date: 6/30/2022

WARNING:
 THIS DOCUMENT IS AN INSTRUMENT OF PROFESSIONAL SERVICE PREPARED BY JONATHAN RIVERA ARCHITECT. A VIOLATION OF THIS DOCUMENT BY ANY PARTY OTHER THAN JONATHAN RIVERA ARCHITECT IS A VIOLATION OF LAW THAT WILL BE PROSECUTED TO THE FULLEST EXTENT.
 Copyright © 2009
 Jonathan Rivera Architect
 All Rights Reserved

PROPOSED RESIDENCE

FIELDS RESIDENCE

1110 Henryton Road
 Marriohsville, Maryland
 21104

ARCHITECT
 Jonathan Rivera AIA, NCARB
 Howard County, Maryland

443.226.5745
 jrvera@jonathanrivera.com

STRUCTURAL ENGINEER
 Robert Wyatt
 Mid-Atlantic Structural Eng.

717-504-8407
 rwyatt@mdatl-se.com

BUILDER
 Mueller Homes
 7520 Main Street, Suite 201
 Sykesville, Maryland 21784

410.549.4444
 pauljr@muellerhomes.com

ISSUE DATE

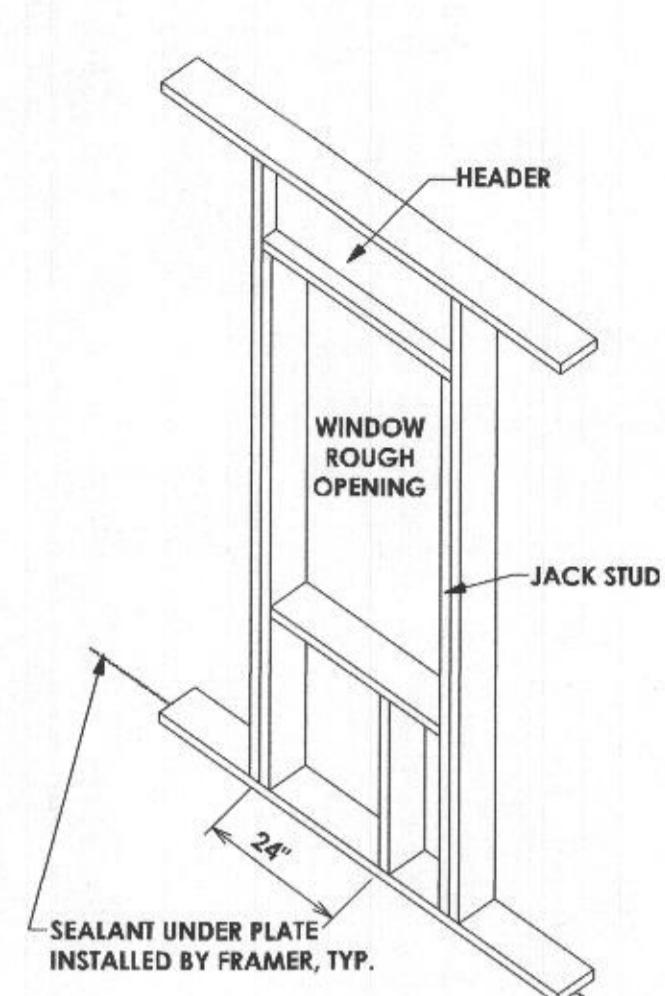
1	3-12-22	PERMIT SET
△		
△		
△		
△		
△		
△		
△		

SCALE: 1/4" = 1'-0"

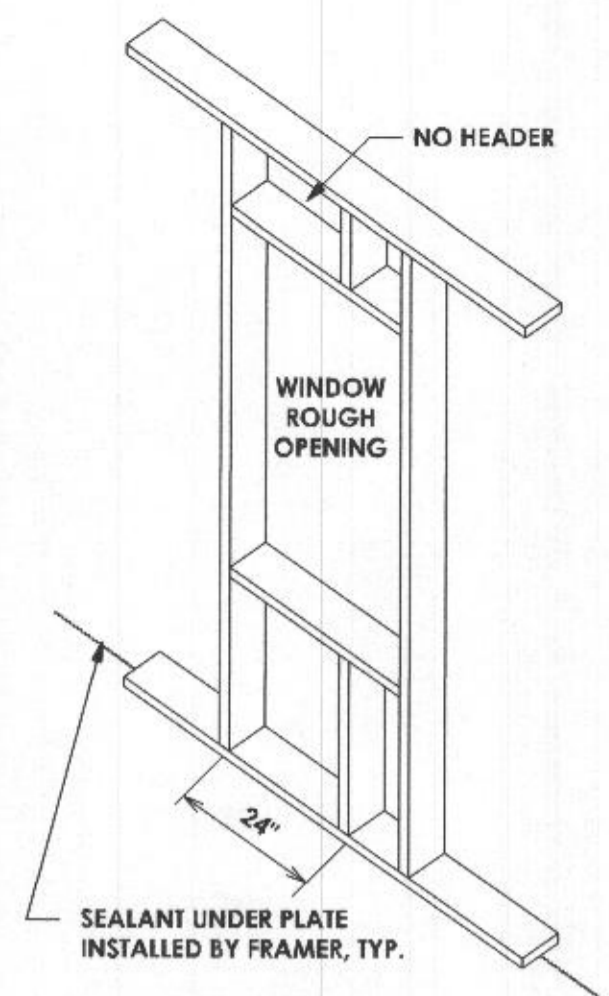
DETAILS

3.04
 PRINT DATE:
 Tuesday, March 22, 2022

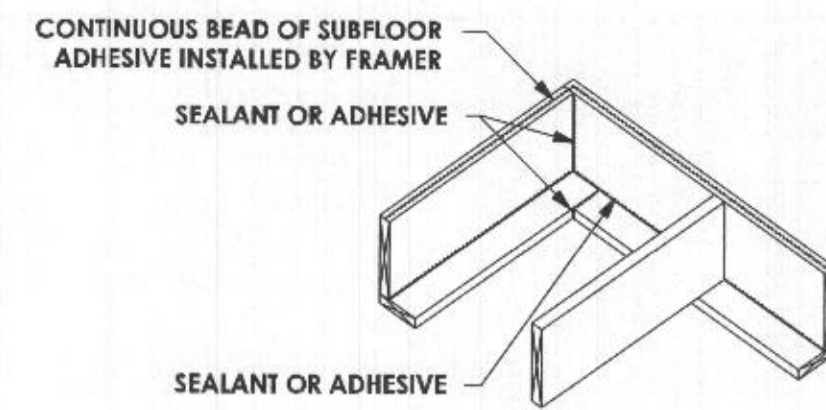
NOTE: ALL LOAD BEARING STUD WALLS TO BE DOUBLE TOP PLATE PER WALL SECTIONS



LOAD BEARING WALL OPENING

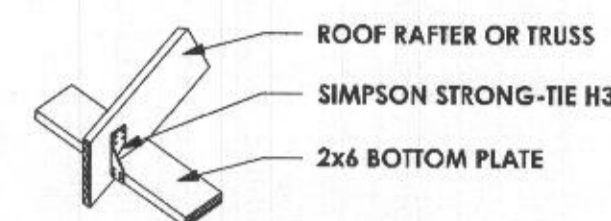


NON-LOAD BEARING WALL OPENING

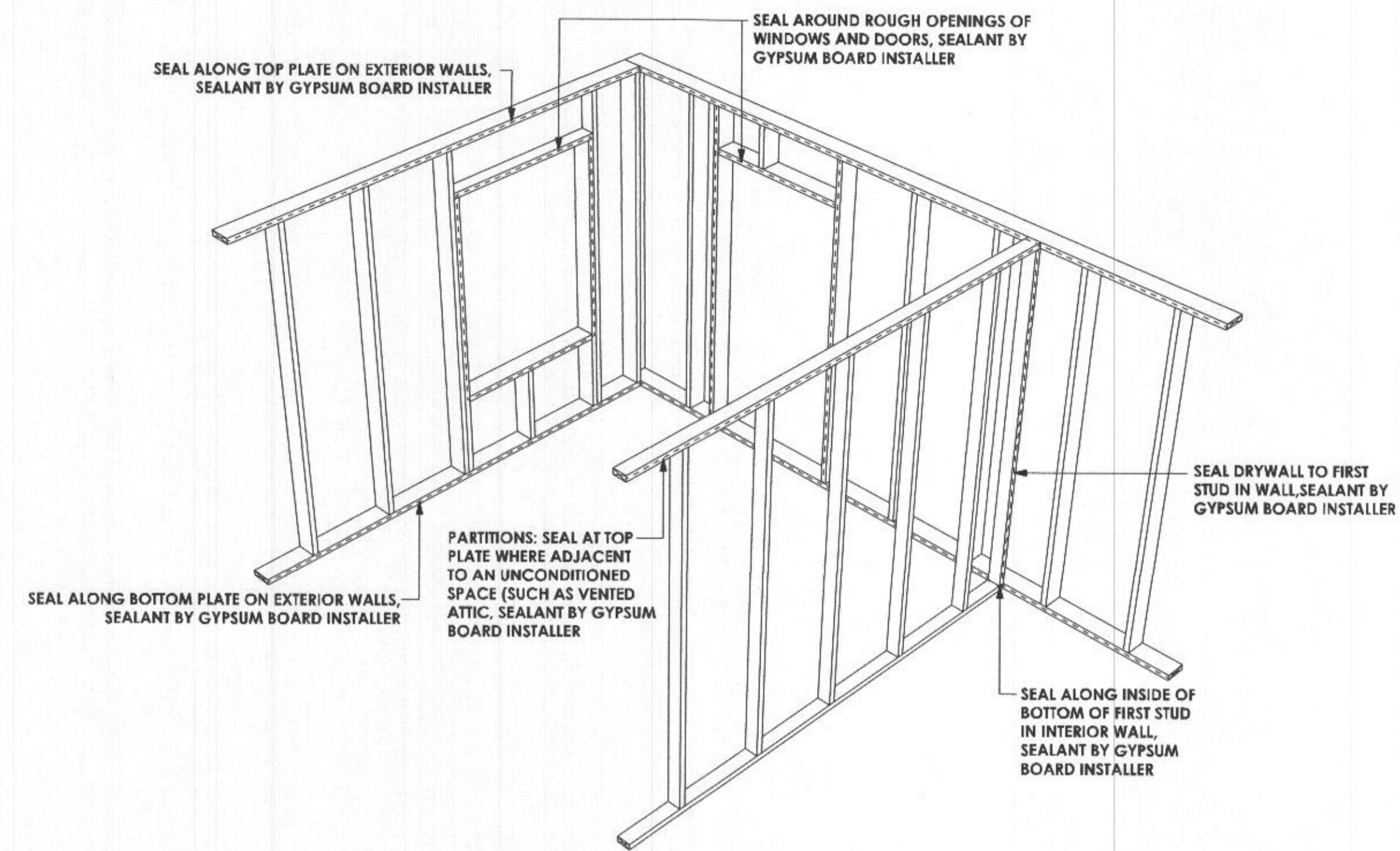


14 RIM JOIST AIR SEALING

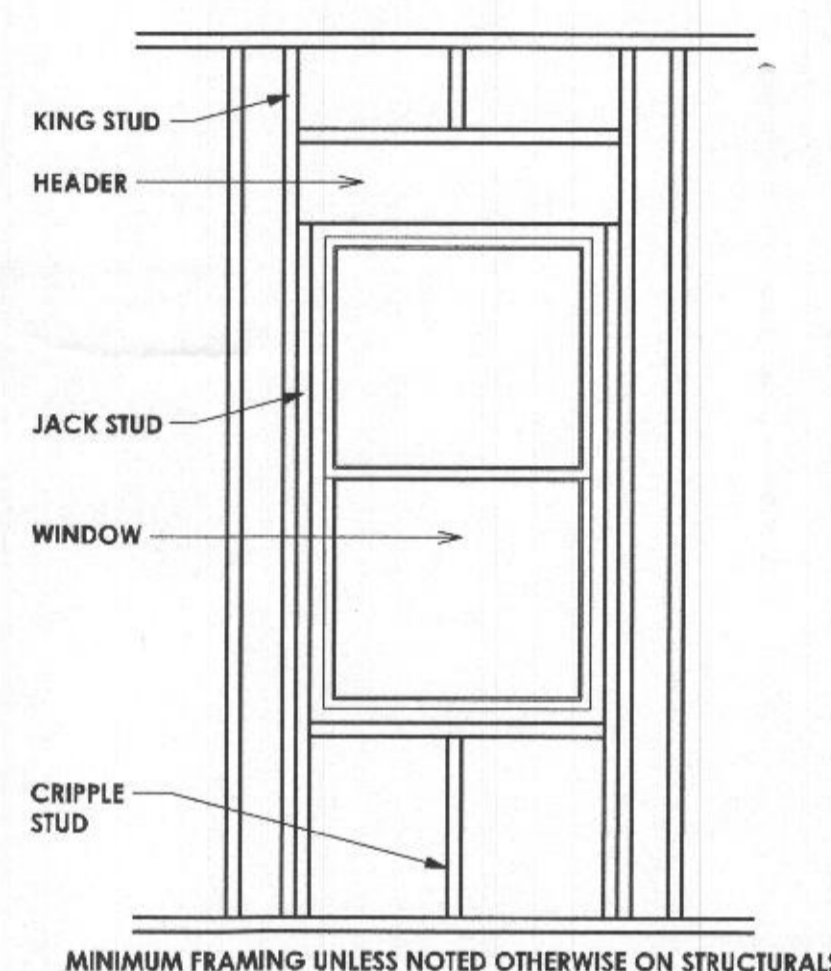
NOT TO SCALE



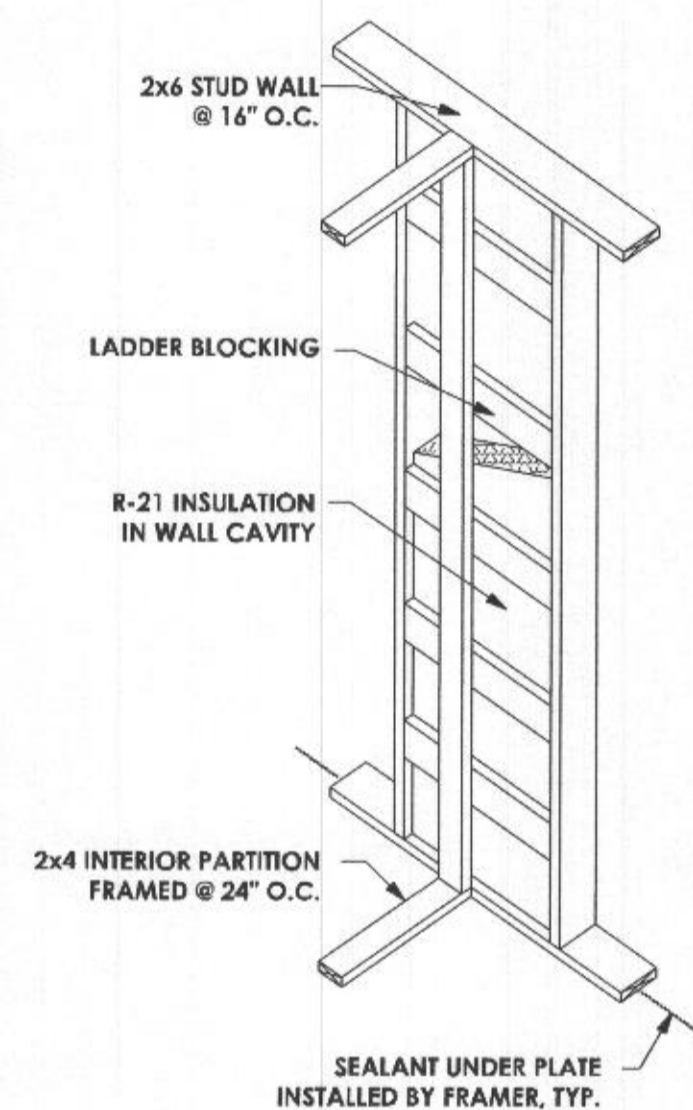
15 ROOF WALL FRAMING CONNECTION



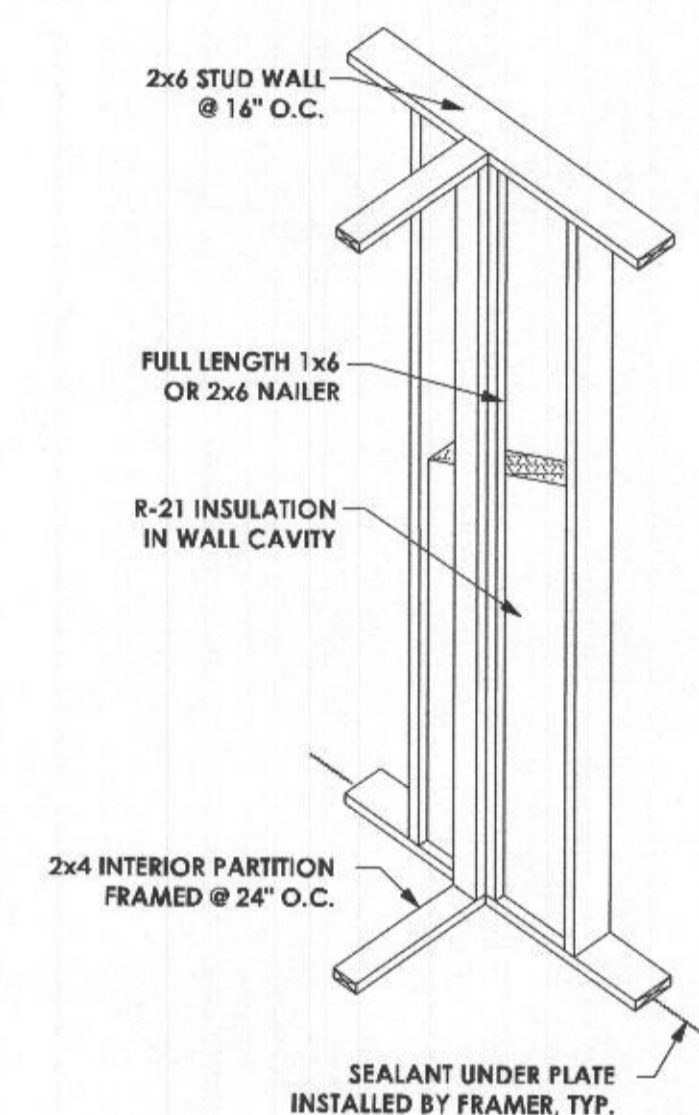
AIR BARRIER AT WALLS AND CEILING PERSPECTIVE



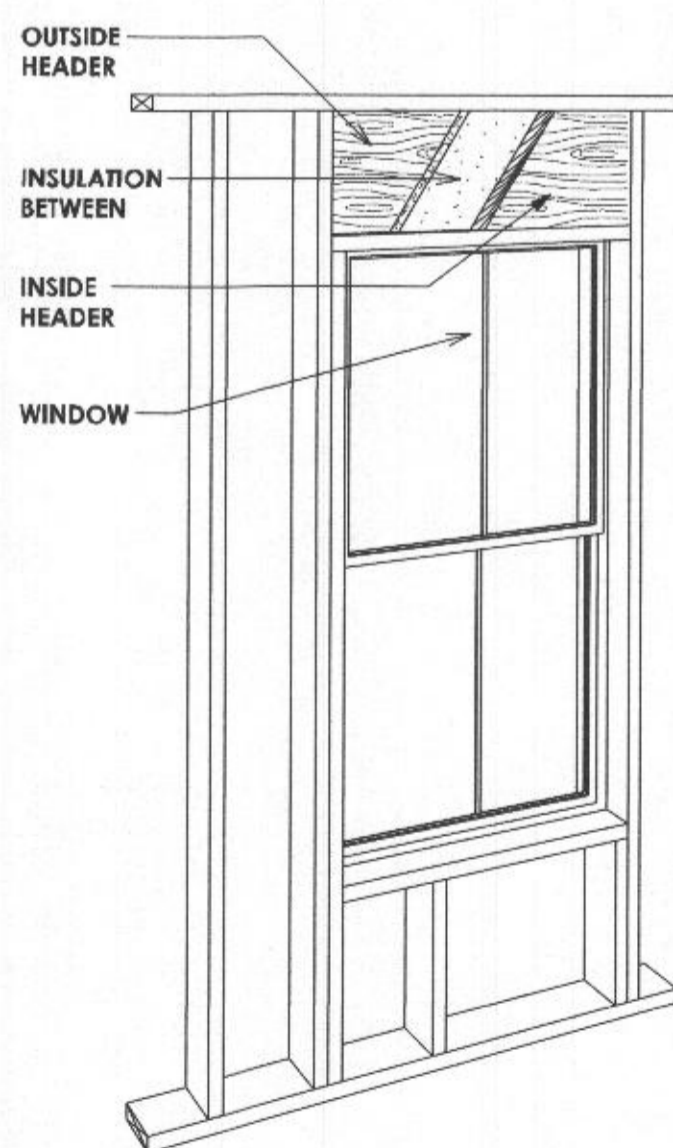
WINDOW FRAMING ELEVATION



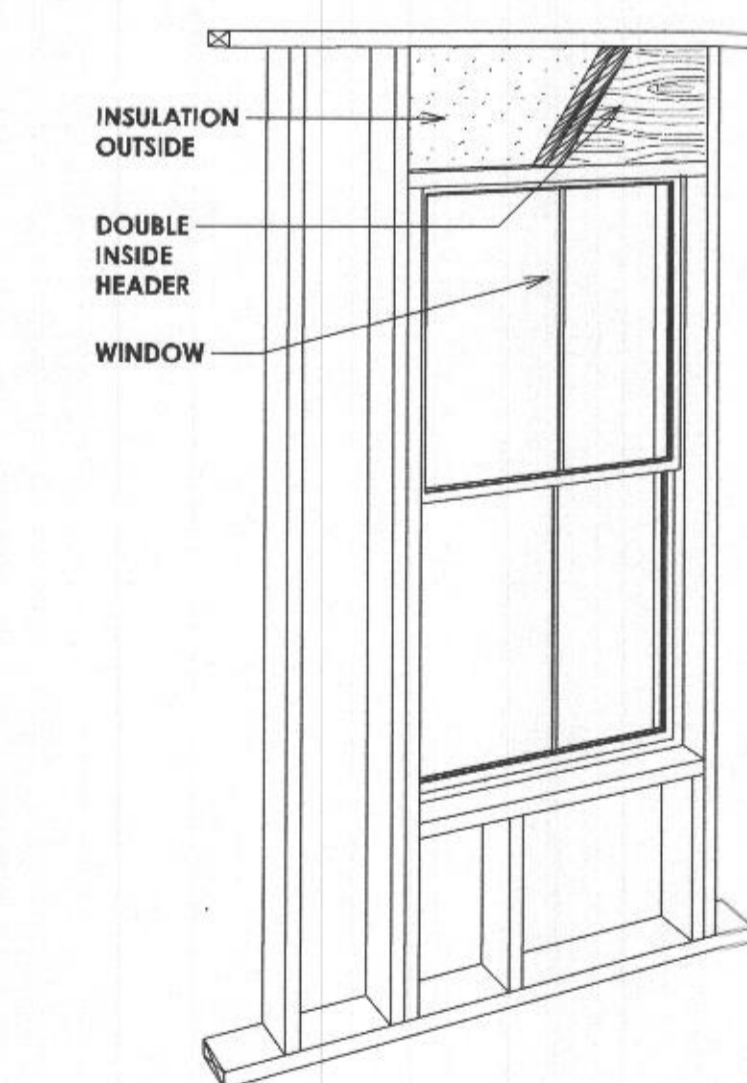
LADDER FRAMING @ PARTITION



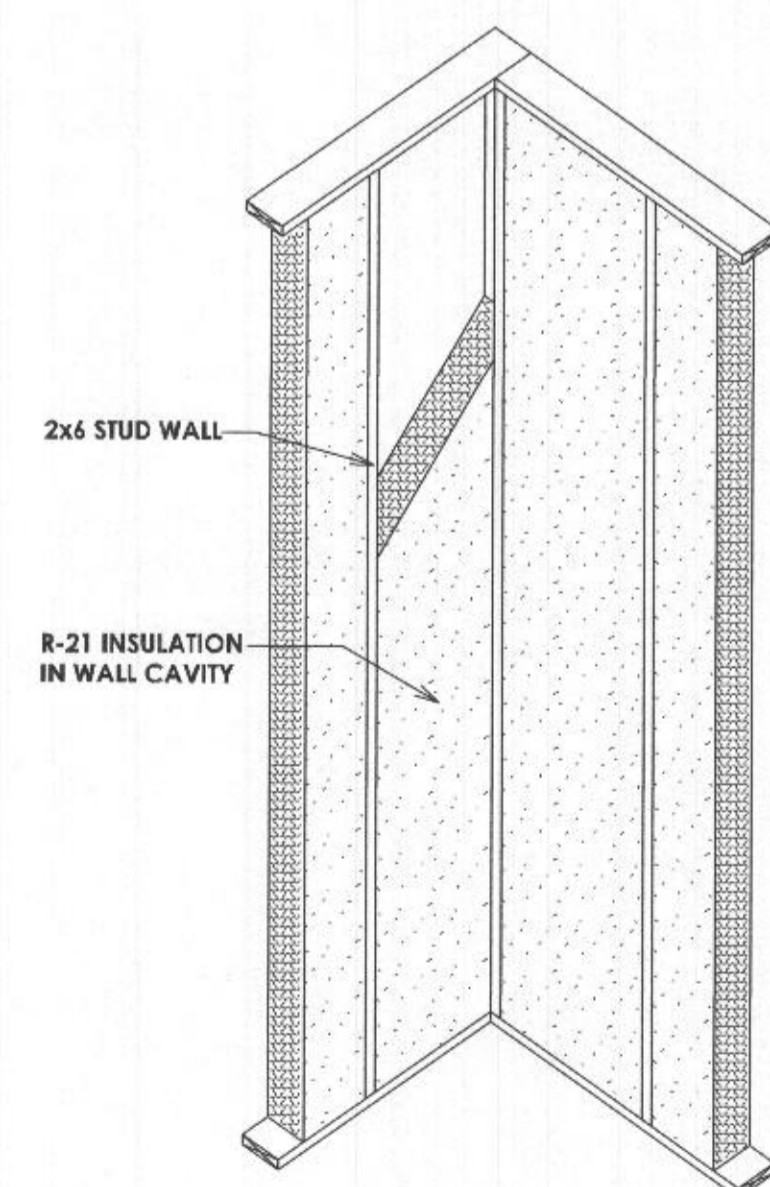
NAILER @ PARTITION



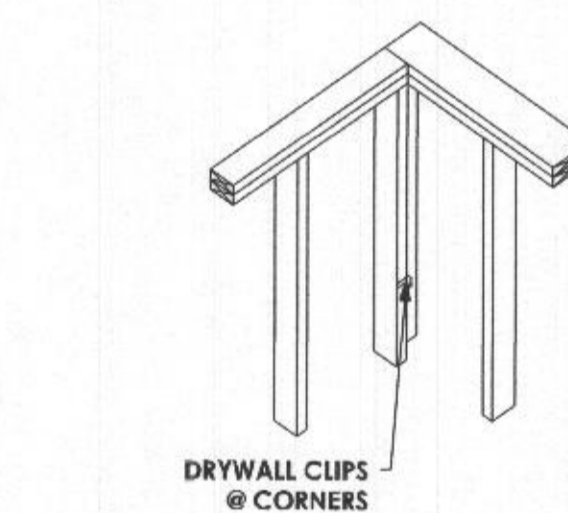
HEADER INSULATION BETWEEN



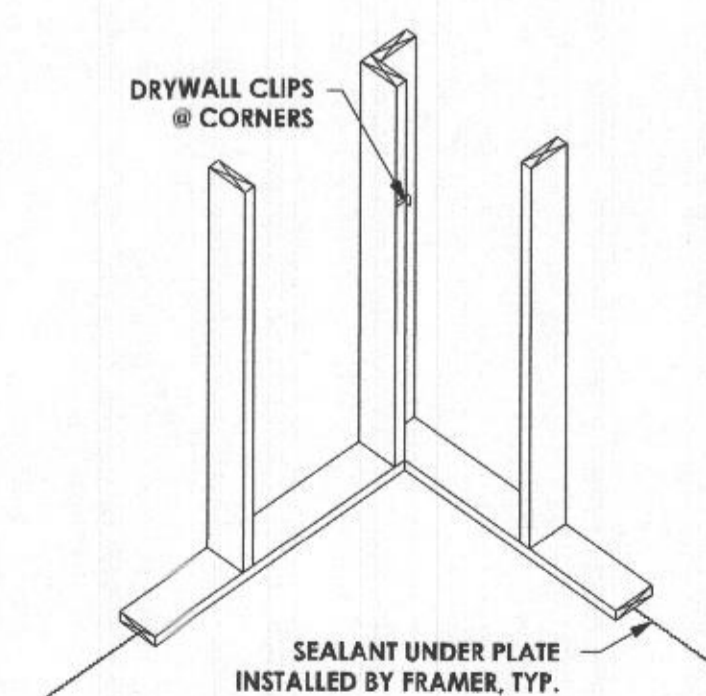
HEADER INSULATION OUTSIDE



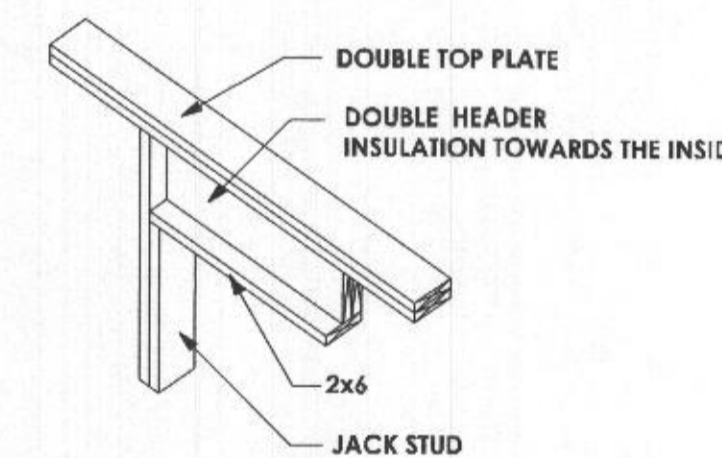
TWO-STUD CORNER-INSULATION



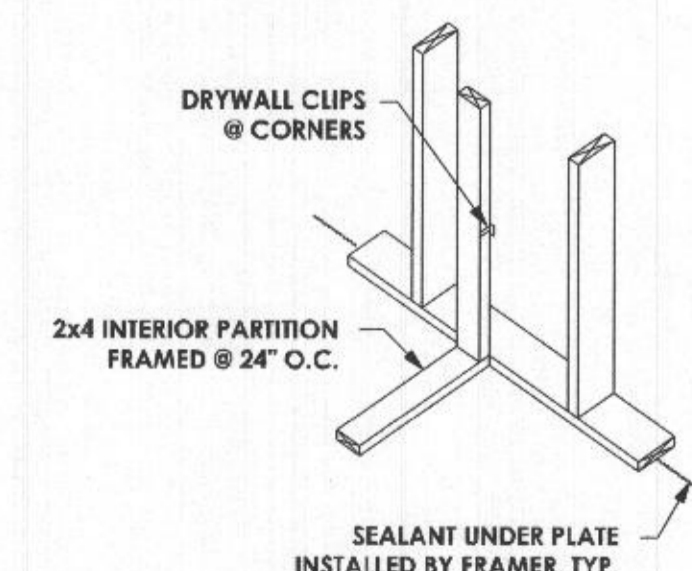
TWO-STUD CORNER-TOP



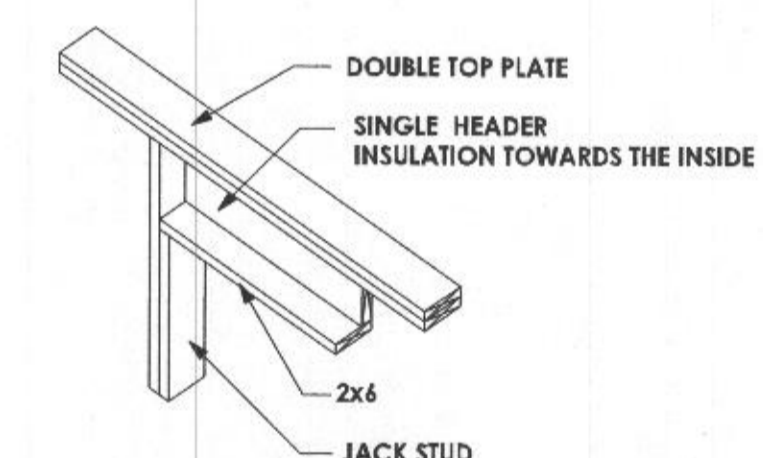
TWO-STUD CORNER-BOTTOM



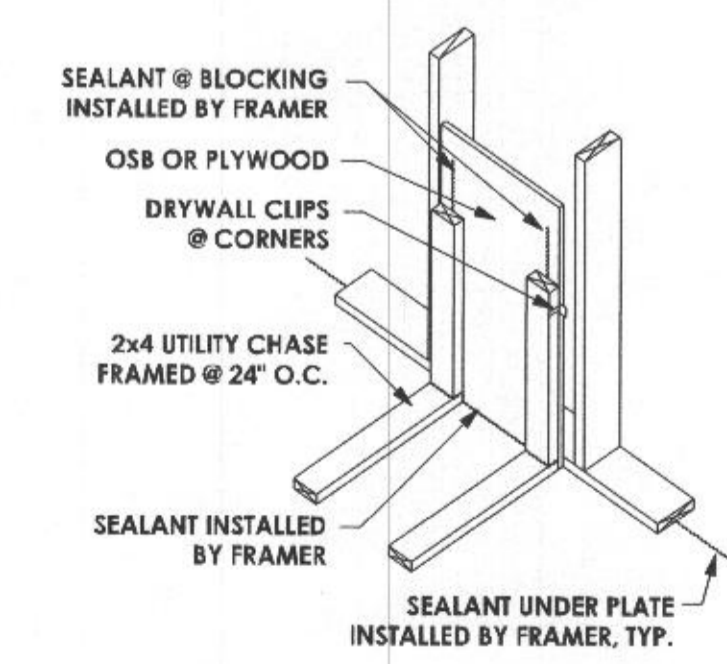
DOUBLE HEADER



BOTTOM PLATE @ PARTITION



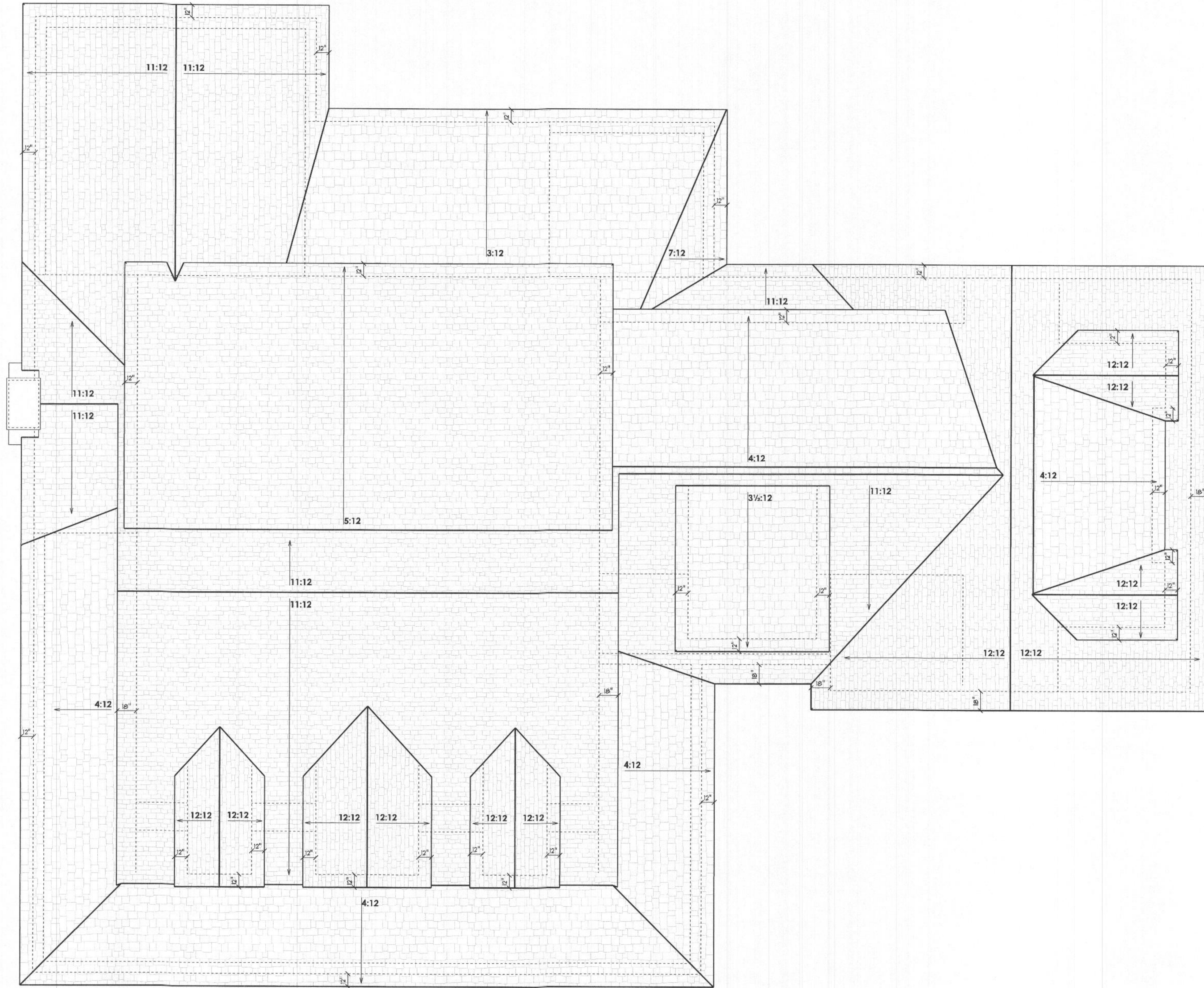
SINGLE HEADER



AIR SEALING @ MECH CHASE

PROFESSIONAL CERTIFICATION
 I certify that these documents were prepared or approved by me, and that I am a duly licensed professional architect under the laws of the State of Maryland.
 License Number #14678
 Expiration Date: 6/30/2022

WARNING:
 THIS DOCUMENT IS AN INSTRUMENT OF PROFESSIONAL SERVICE PREPARED BY JONATHAN RIVERA ARCHITECT. ALTERATION OF THIS DOCUMENT BY ANY PARTY OTHER THAN JONATHAN RIVERA ARCHITECT IS A VIOLATION OF LAW THAT WILL BE PROSECUTED TO THE FULLEST EXTENT.
 Copyright © 2009
 Jonathan Rivera Architect
 All Rights Reserved



PROPOSED RESIDENCE

FIELDS RESIDENCE

1110 Henryton Road
 Marriottsville, Maryland
 21104

ARCHITECT
 Jonathan Rivera AIA, NCARB
 Howard County, Maryland

443.226.5745
 jrvera@jonathanrivera.com

STRUCTURAL ENGINEER
 Robert Wyatt
 Mid-Atlantic Structural Eng.

717-504-8407
 rwyatt@midatl-se.com

BUILDER
 Mueller Homes
 7520 Main Street, Suite 201
 Sykesville, Maryland 21784

410.549.4444
 pauljr@muellerhomes.com

ISSUE DATE

1	3-12-22	PERMIT SET
△		
△		
△		
△		
△		
△		
△		

SCALE: 1/4" = 1'-0"

ROOF PLAN

4.01

PRINT DATE:
 Tuesday, March 22, 2022

PROFESSIONAL CERTIFICATION
 I certify that these documents were prepared or approved by me, and that I am a duly licensed professional architect under the laws of the State of Maryland, License Number #14678, Expiration Date: 6/30/2022

WARNING: THIS DOCUMENT IS AN INSTRUMENT OF PROFESSIONAL SERVICE PREPARED BY JONATHAN RIVERA ARCHITECT. ASSIGNMENT OF THIS DOCUMENT BY ANY PARTY OTHER THAN JONATHAN RIVERA ARCHITECT IS A VIOLATION OF LAW THAT WILL BE PROSECUTED TO THE FULLEST EXTENT.
 Copyright © 2009
 Jonathan Rivera Architect
 All Rights Reserved

PROPOSED RESIDENCE

FIELDS RESIDENCE
 1110 Henrylton Road
 Marriottsville, Maryland
 21104

ARCHITECT
 Jonathan Rivera AIA, NCARB
 Howard County, Maryland

443.226.5745
 jrivera@jonathanrivera.com

STRUCTURAL ENGINEER
 Robert Wyatt
 Mid-Atlantic Structural Eng.

717-504-8407
 rwyatt@midatl-se.com

BUILDER
 Mueller Homes
 7520 Main Street, Suite 201
 Sykesville, Maryland 21784

410.549.4444
 pavlji@muellerhomes.com

ISSUE DATE

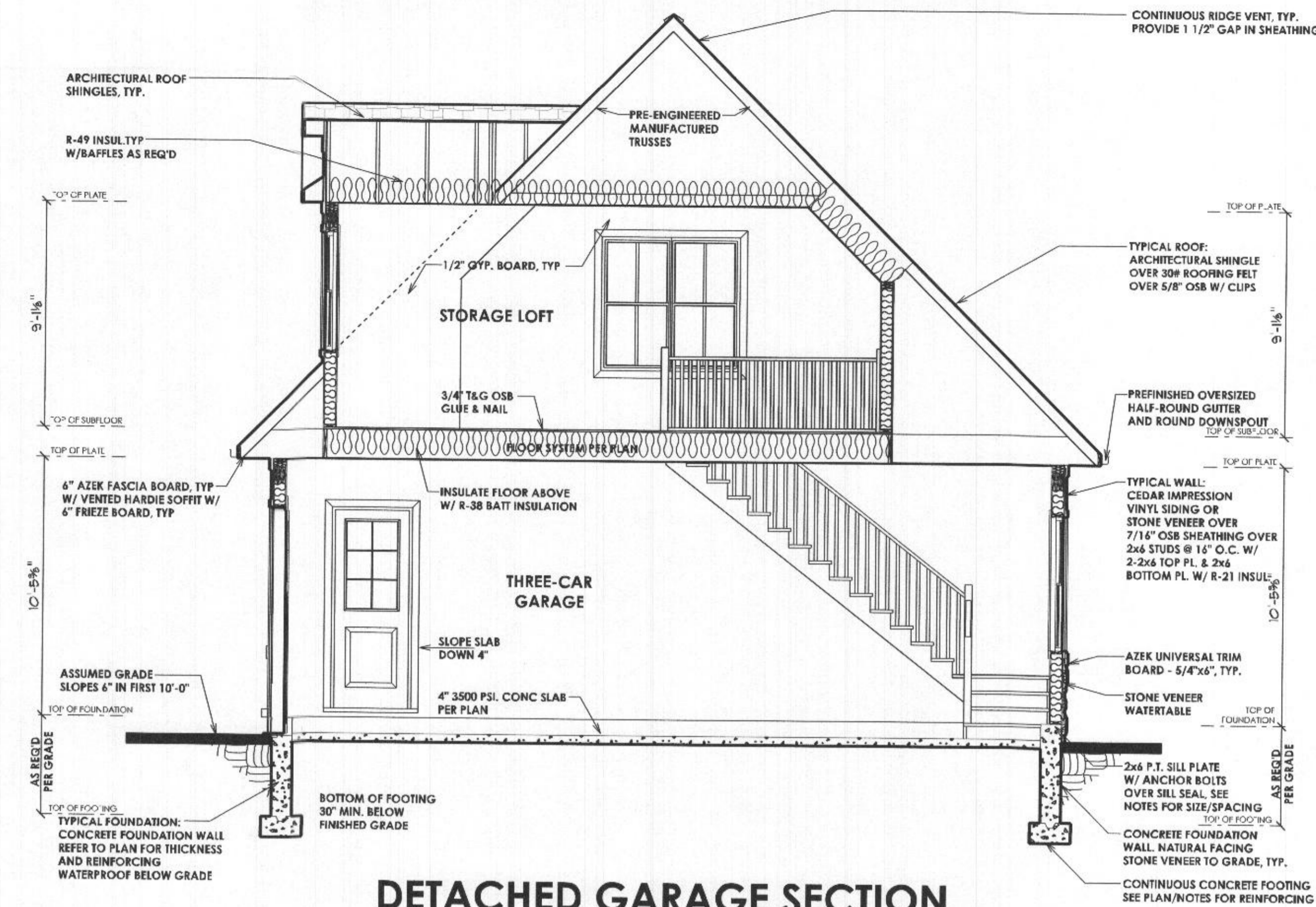
3-12-22	PERMIT SET
▲	
▲	
▲	
▲	
▲	
▲	
▲	
▲	
▲	

SCALE: 1/4" = 1'-0"

SECTIONS

5.01

PRINT DATE:
 Tuesday, March 22, 2022



DETACHED GARAGE SECTION

- SECTION NOTES**
- 1) 2000 PSF MIN SOIL BEARING CAPACITY ASSUMED
 - 2) BEAMS, JOISTS, HEADERS & RAFTERS TO BE SPF #1/82 OR EQ. TYP THROUGHOUT U.N.O.
 - 3) BASEMENT WINDOW LOCATIONS TO BE DETERMINED AT PRECON.
 - 4) ALL LOCATIONS FOR HVAC, SUMP PUMPS, ROUGH-INS, H/W/H, A/H AND OTHER FEATURES ARE SUBJECT TO BUILDER DISCRETION ON SITE
 - 5) FOUNDATION WALL MIN. THICKNESS 10" WHERE STEAM WALL AT BRICK LEDGE EXCEEDS 16" HIGH
 - 6) VERIFY SIZE AND LOCATION OF WINDOWS PER GRADE & BUILDER
 - 7) MIN. 1/2" HOOKED ANCHOR BOLTS EMBEDDED A MIN. 7" INTO CONC. SHALL BE SPACED AT 4' O.C. AND LOCATED 4" & 12" FROM EACH END OF ALL SILL PLATE PIECES.



SECTION A-A

3" DIA. DRAIN TILE (or per code) PIPE TO SUMP, IN 1'-1.5" WASHED CRUSHED STONE 6" (MIN.) ABOVE FOOTING 2" MIN. UNDER PIPE & 12" FROM EDGE OF FOOTING W/ FILTER MEMBRANE OVER.

PROFESSIONAL CERTIFICATION
I certify that these documents were prepared or approved by me, and that I am a duly licensed professional architect under the laws of the State of Maryland, License Number #14678, Expiration Date: 6/30/2022

WARNING: THIS DOCUMENT IS AN INSTRUMENT OF PROFESSIONAL SERVICE PREPARED BY JONATHAN RIVERA ARCHITECT. A VIOLATION OF THIS DOCUMENT BY ANY PARTY OTHER THAN JONATHAN RIVERA ARCHITECT IS A VIOLATION OF LAW THAT WILL BE PROSECUTED TO THE FULLEST EXTENT.
Copyright © 2009
Jonathan Rivera Architect
All Rights Reserved

PROPOSED RESIDENCE

FIELDS RESIDENCE
1110 Henryton Road
Marriottsville, Maryland
21104

ARCHITECT
Jonathan Rivera AIA, NCARB
Howard County, Maryland

443.226.5745
jriviera@jonathanrivera.com

STRUCTURAL ENGINEER
Robert Wyatt
Mid-Atlantic Structural Eng.

717-504-8407
rwyatt@midatl-se.com

BUILDER
Mueller Homes
7520 Main Street, Suite 201
Sykesville, Maryland 21784

410.549.4444
paulj@muellerhomes.com

ISSUE DATE

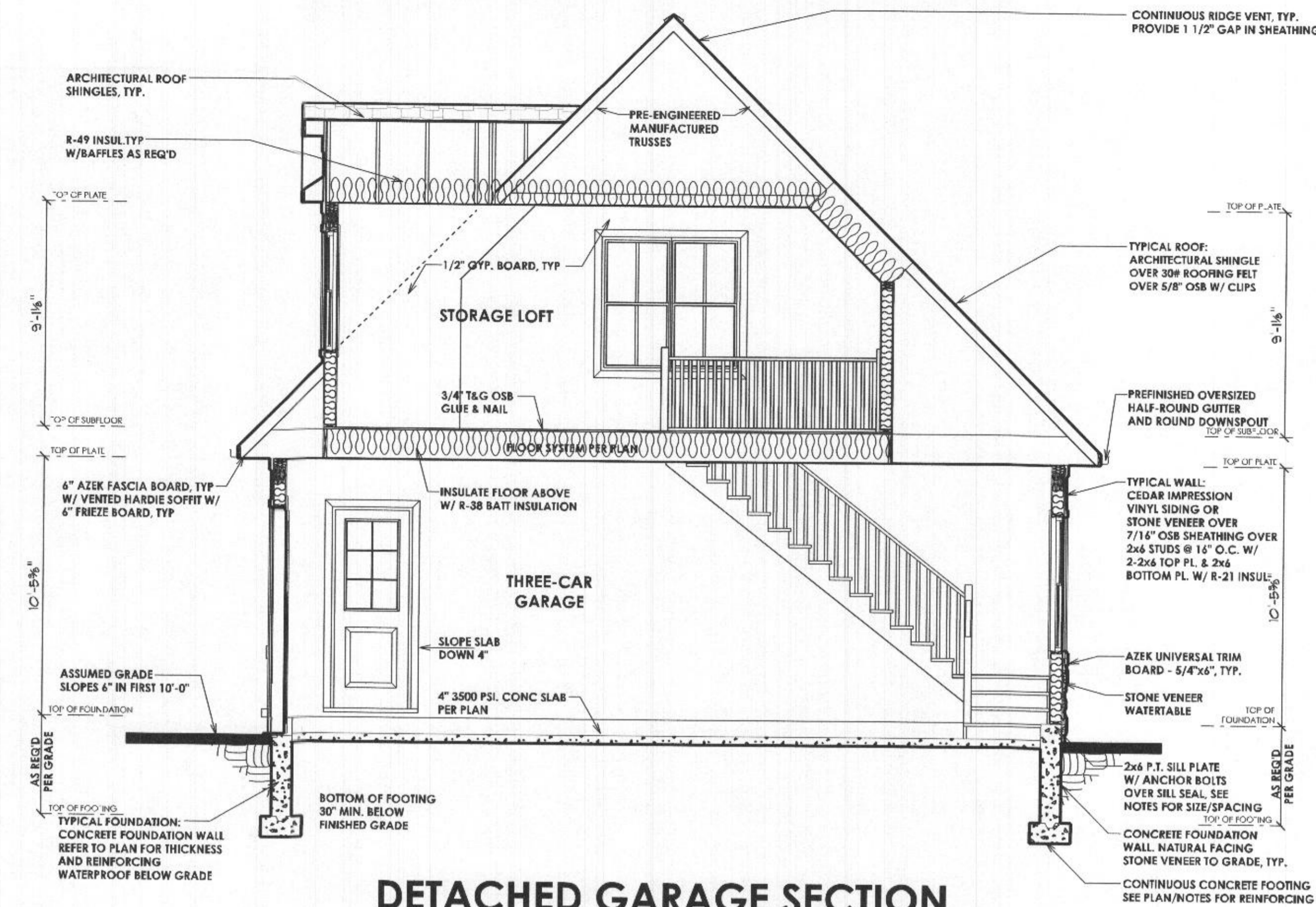
3-12-22	PERMIT SET

SCALE: 1/4" = 1'-0"

SECTIONS

5.01

PRINT DATE:
Tuesday, March 22, 2022



DETACHED GARAGE SECTION

- SECTION NOTES**
- 2000 PSF MIN SOIL BEARING CAPACITY ASSUMED
 - BEAMS, JOISTS, HEADERS & RAFTERS TO BE SPF #1/82 OR EQ. TYP THROUGHOUT U.N.O.
 - BASEMENT WINDOW LOCATIONS TO BE DETERMINED AT PRECON.
 - ALL LOCATIONS FOR HVAC, SUMP PUMPS, ROUGH-INS, H/W/H, A/H AND OTHER FEATURES ARE SUBJECT TO BUILDER DISCRETION ON SITE
 - FOUNDATION WALL MIN. THICKNESS 10" WHERE STEAM WALL AT BRICK LEDGE EXCEEDS 16" HIGH
 - VERIFY SIZE AND LOCATION OF WINDOWS PER GRADE & BUILDER
 - MIN. 1/2" HOOKED ANCHOR BOLTS EMBEDDED A MIN. 7" INTO CONC. SHALL BE SPACED AT 4' O.C. AND LOCATED 4" & 12" FROM EACH END OF ALL SILL PLATE PIECES.



SECTION A-A

3" DIA. DRAIN TILE (or per code) PIPE TO SUMP, IN 1'-1.5" WASHED CRUSHED STONE 6" (MIN.) ABOVE FOOTING 2" MIN. UNDER PIPE & 12" FROM EDGE OF FOOTING W/ FILTER MEMBRANE OVER.

PROFESSIONAL CERTIFICATION
 I certify that these documents were prepared or approved by me, and that I am a duly licensed professional architect under the laws of the State of Maryland, License Number #14678, Expiration Date: 6/30/2022

WARNING:
 THIS DOCUMENT IS AN INSTRUMENT OF PROFESSIONAL SERVICE PREPARED BY JONATHAN RIVERA ARCHITECT. ASSIGNMENT OF THIS DOCUMENT BY ANY PARTY OTHER THAN JONATHAN RIVERA ARCHITECT IS A VIOLATION OF LAW THAT WILL BE PROSECUTED TO THE FULLEST EXTENT.
 Copyright © 2009
 Jonathan Rivera Architect
 All Rights Reserved

PROPOSED RESIDENCE

FIELDS RESIDENCE
 1110 Henryton Road
 Marriottsville, Maryland
 21104

ARCHITECT
 Jonathan Rivera AIA, NCARB
 Howard County, Maryland

443.226.5745
 jrivera@jonathanrivera.com

STRUCTURAL ENGINEER
 Robert Wyatt
 Mid-Atlantic Structural Eng.

717-504-8407
 rwyatt@midatl-se.com

BUILDER
 Mueller Homes
 7520 Main Street, Suite 201
 Sykesville, Maryland 21784

410.549.4444
 pavlji@muellerhomes.com

ISSUE DATE

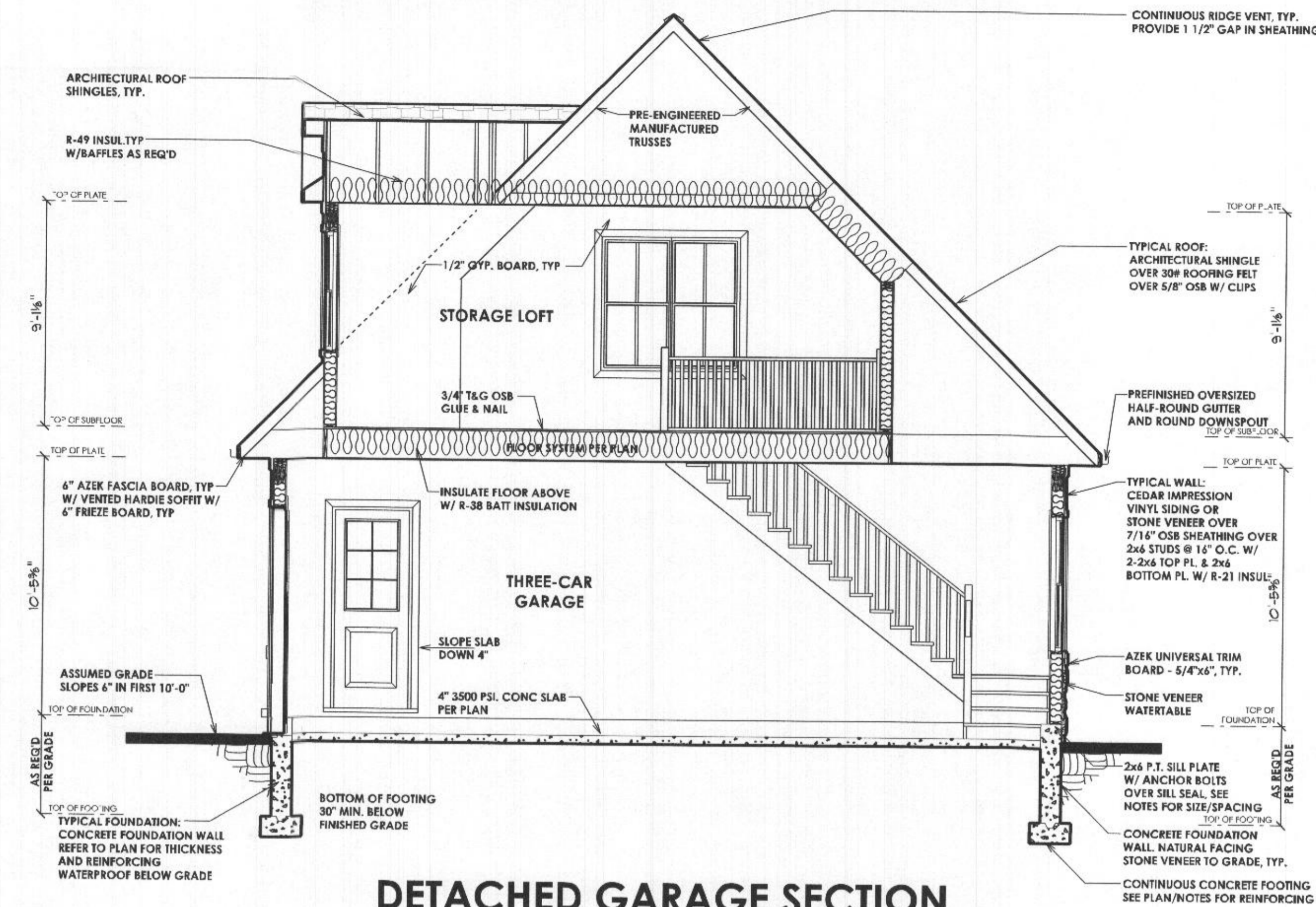
3-12-22	PERMIT SET

SCALE: 1/4" = 1'-0"

SECTIONS

5.01

PRINT DATE:
 Tuesday, March 22, 2022



- SECTION NOTES**
- 2000 PSF MIN SOIL BEARING CAPACITY ASSUMED
 - BEAMS, JOISTS, HEADERS & RAFTERS TO BE SPF #1/#2 OR EQ. TYP THROUGH U.N.O.
 - BASEMENT WINDOW LOCATIONS TO BE DETERMINED AT PRECON.
 - ALL LOCATIONS FOR HVAC, SUMP PUMPS, ROUGH-INS, H/W/H, A/H AND OTHER FEATURES ARE SUBJECT TO BUILDER DISCRETION ON SITE
 - FOUNDATION WALL MIN. THICKNESS 10" WHERE STEAM WALL AT BRICK LEDGE EXCEEDS 16" HIGH
 - VERIFY SIZE AND LOCATION OF WINDOWS PER GRADE & BUILDER
 - MIN. 1/2" HOOKED ANCHOR BOLTS EMBEDDED A MIN. 7" INTO CONC. SHALL BE SPACED AT 4' O.C. AND LOCATED 4" & 12" FROM EACH END OF ALL SILL PLATE PIECES.



SECTION A-A

PROFESSIONAL CERTIFICATION
 I certify that these documents were prepared or approved by me, and that I am a duly licensed professional architect under the laws of the State of Maryland.
 License Number #14678
 Expiration Date: 6/30/2022

WARNING:
 THIS DOCUMENT IS AN INSTRUMENT OF PROFESSIONAL SERVICE PREPARED BY JONATHAN RIVERA ARCHITECT. ALLOCATION OF THIS DOCUMENT BY ANY PARTY OTHER THAN JONATHAN RIVERA ARCHITECT IS A VIOLATION OF LAW THAT WILL BE PROSECUTED TO THE FULLEST EXTENT.
 Copyright © 2009
 Jonathan Rivera Architect
 All Rights Reserved

PROPOSED RESIDENCE

FIELDS RESIDENCE

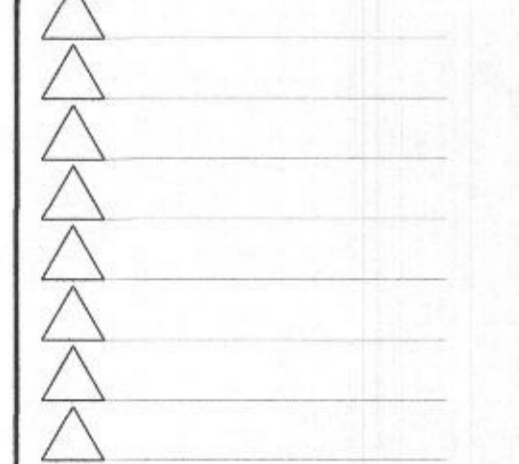
1110 Henryton Road
 Marltonville, Maryland
 21104

ARCHITECT
 Jonathan Rivera AIA, NCARB
 Howard County, Maryland
 443.226.5745
 jrvera@jonathanrivera.com

STRUCTURAL ENGINEER
 Robert Wyatt
 Mid-Atlantic Structural Eng.
 717-504-8407
 rwyatt@midatl-se.com

BUILDER
 Mueller Homes
 7520 Main Street, Suite 201
 Sykesville, Maryland 21784
 410.549.4444
 paujr@muellerhomes.com

ISSUE DATE
 1 3-12-22 PERMIT SET

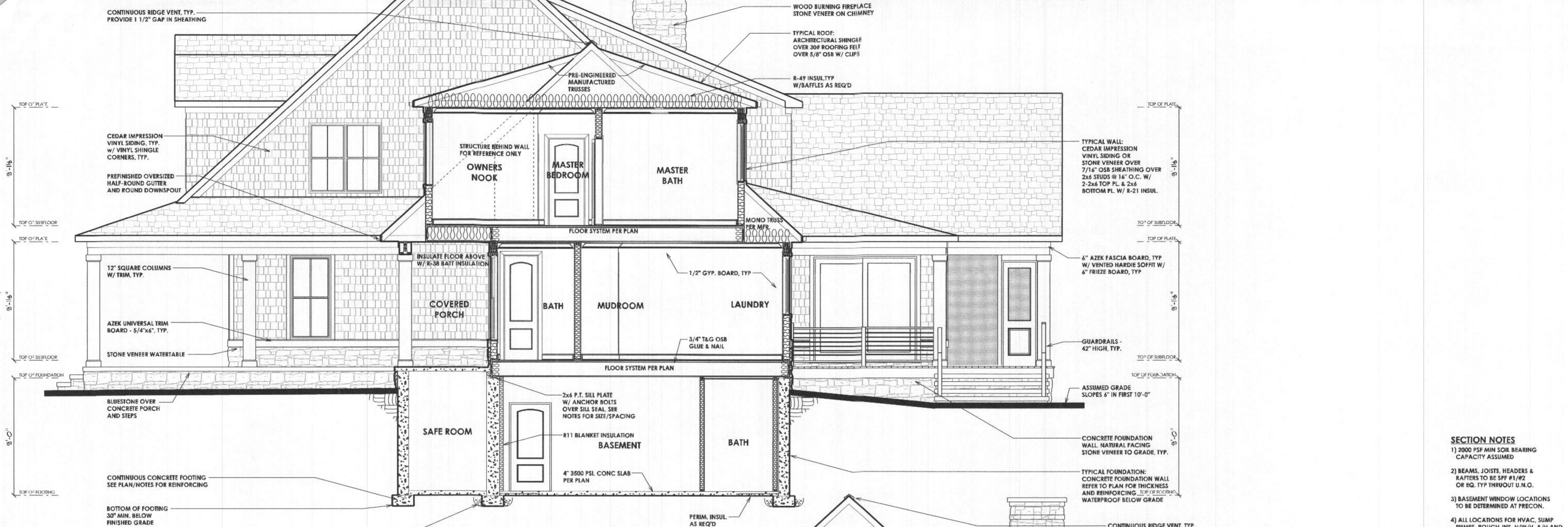


SCALE: 1/4" = 1'-0"

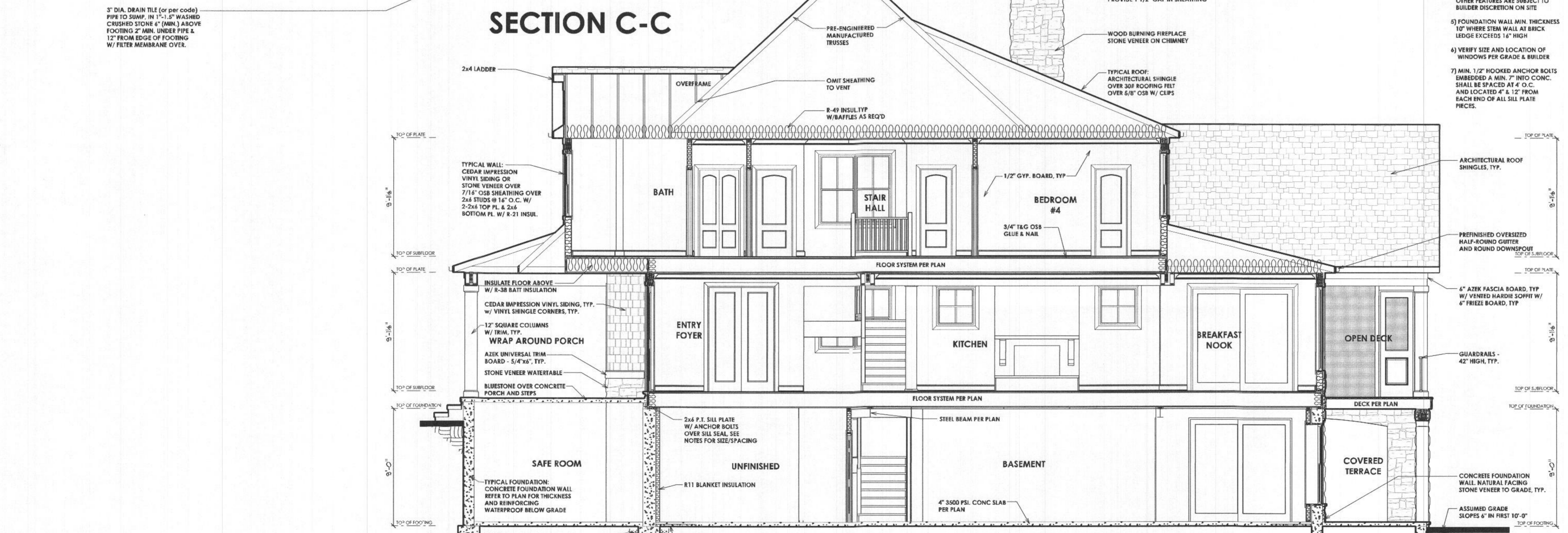
SECTIONS

5.02

PRINT DATE:
 Tuesday, March 22, 2022



SECTION C-C



SECTION B-B

- SECTION NOTES**
- 1) 2000 PSF MIN. SOLE BEARING CAPACITY ASSUMED.
 - 2) BEAMS, JOISTS, HEADERS & BATTERS TO BE SPF #1/#2 OR EQ. TYP. THRUOUT U.N.O.
 - 3) BASEMENT WINDOW LOCATIONS TO BE DETERMINED AT PRECON.
 - 4) ALL LOCATIONS FOR HVAC, SUMP PUMPS, ROUGH-INS, H/W/H, A/H, AND OTHER FEATURES ARE SUBJECT TO BUILDER DISCRETION ON SITE.
 - 5) FOUNDATION WALL MIN. THICKNESS 10" WHERE STEM WALL AT BRICK LEDGE EXCEEDS 16" HIGH.
 - 6) VERIFY SIZE AND LOCATION OF WINDOWS PER GRADE & BUILDER.
 - 7) MIN. 1/2" HOOKED ANCHOR BOLTS EMBEDDED A MIN. 7" INTO CONC. SHALL BE SPACED AT 4' O.C. AND LOCATED 4" & 12" FROM EACH END OF ALL SILL PLATE PIECES.