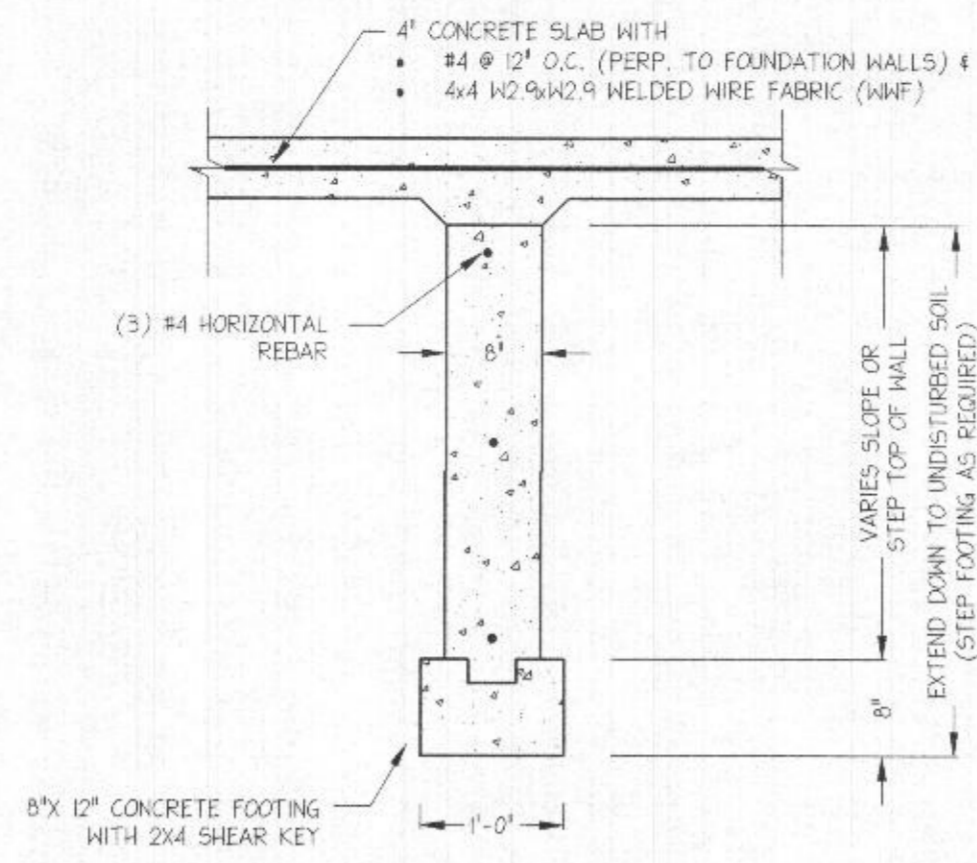
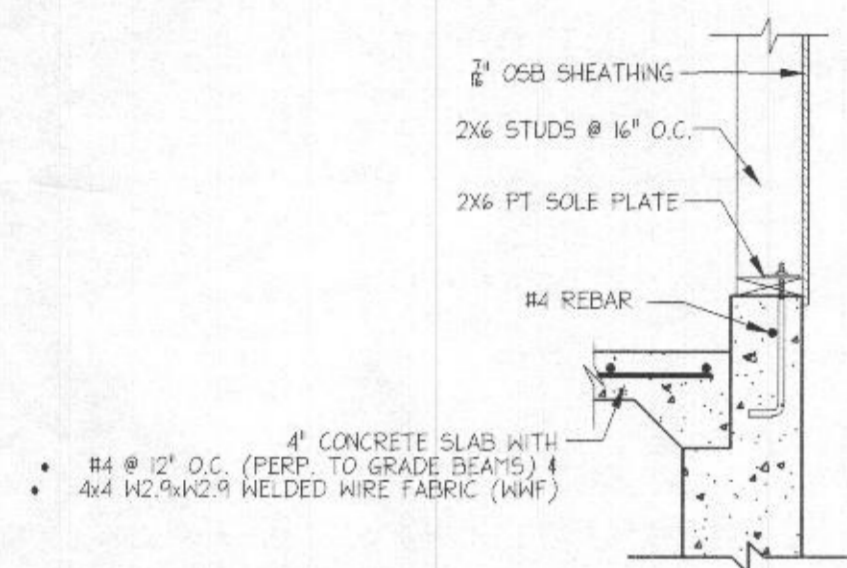


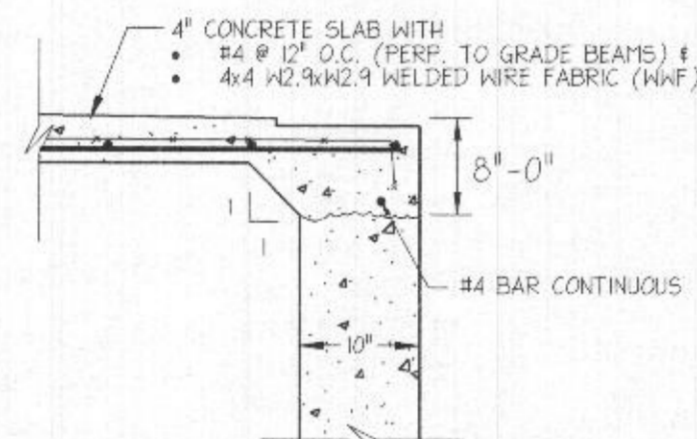
TYPICAL FOUNDATION WALL
 3/4" PER FOOT



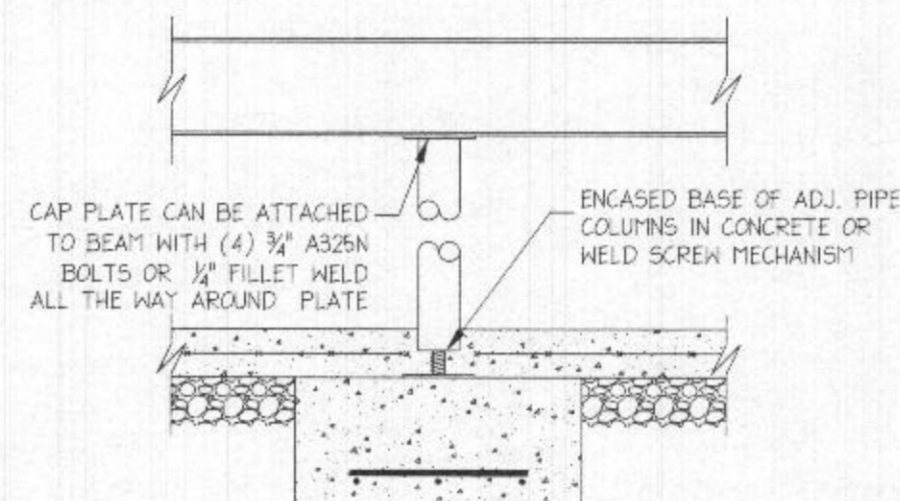
GARAGE CENTER FOUNDATION WALL
 3/4" PER FOOT



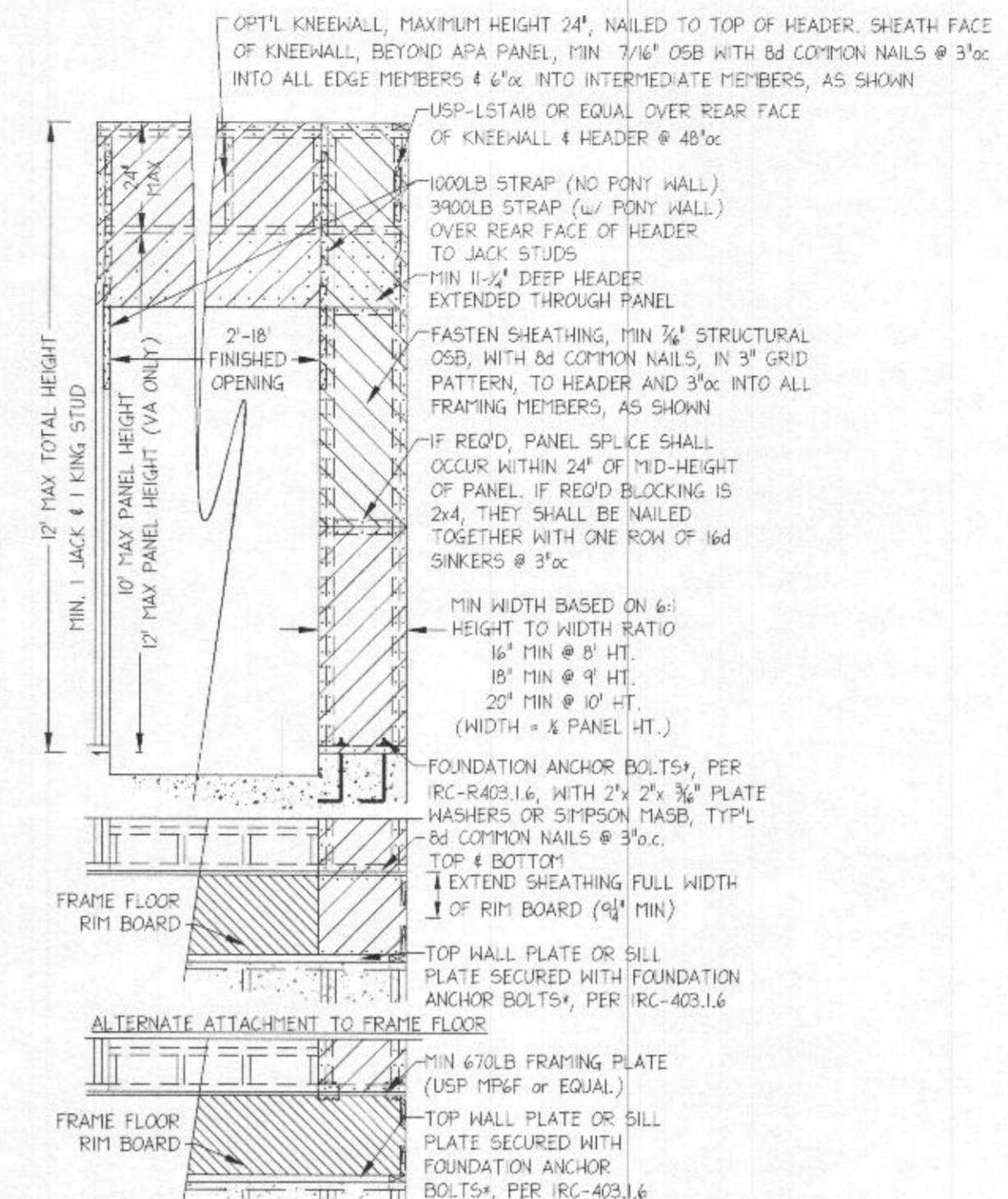
SECTION @ GARAGE SLAB (TYP)
 3/4" PER FOOT



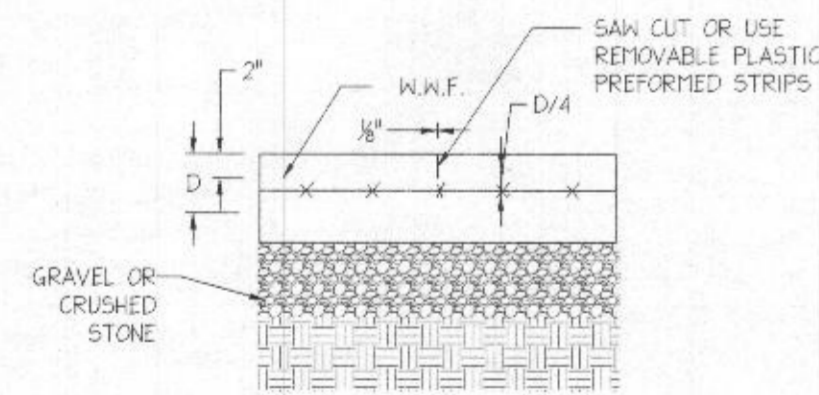
SECTION @ GARAGE DOOR DEPRESSED SLAB (TYP)
 3/4" PER FOOT



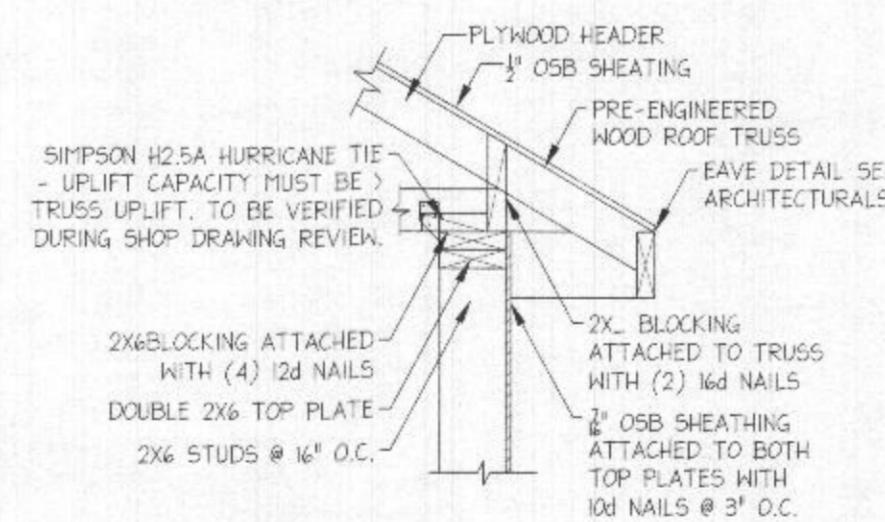
STEEL POST CONNECTIONS (TYP)
 3/4" PER FOOT



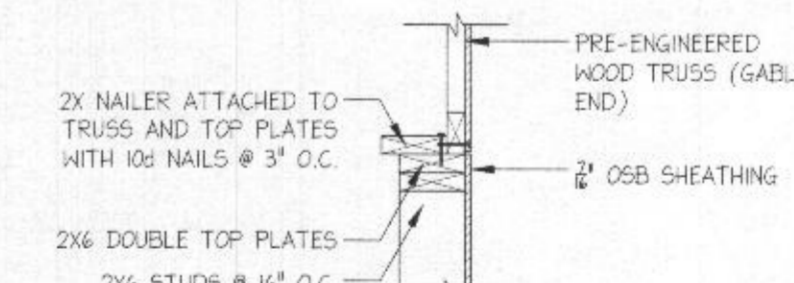
CONTINUOUSLY SHEATHED PORTAL FRAME DETAIL
 NTS (SPECIFIED W/ACTUAL WIDTH, IN INCHES)



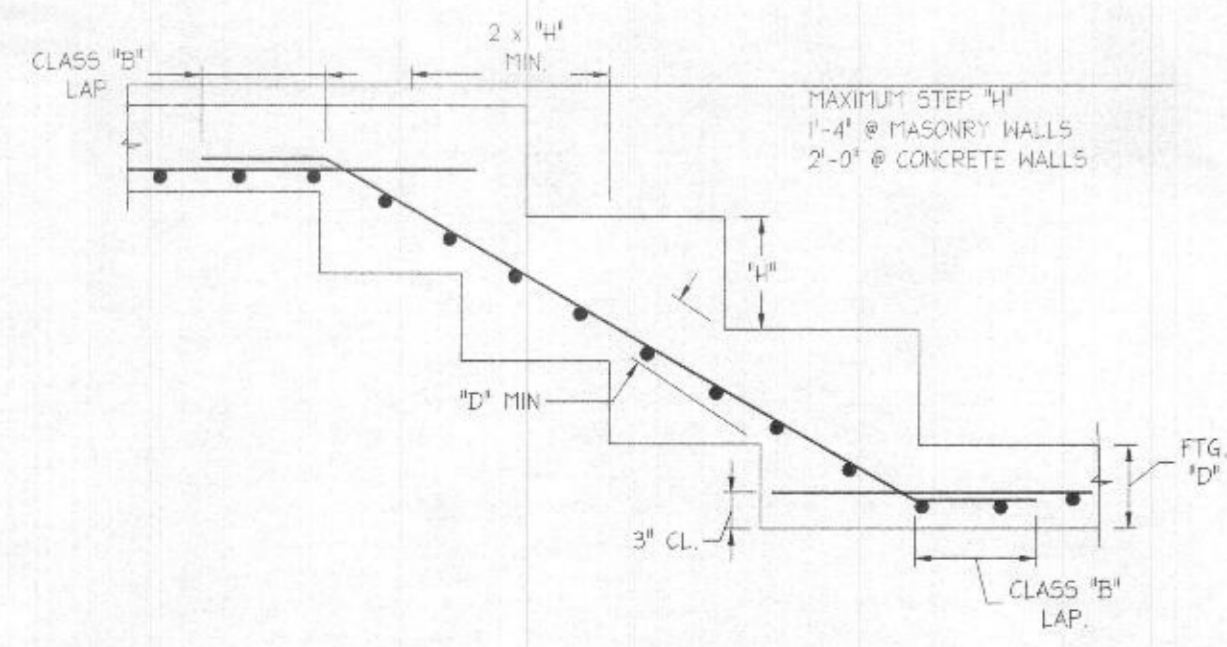
SAW CUT CONTROL JOINT DETAIL (TYP)
 NTS



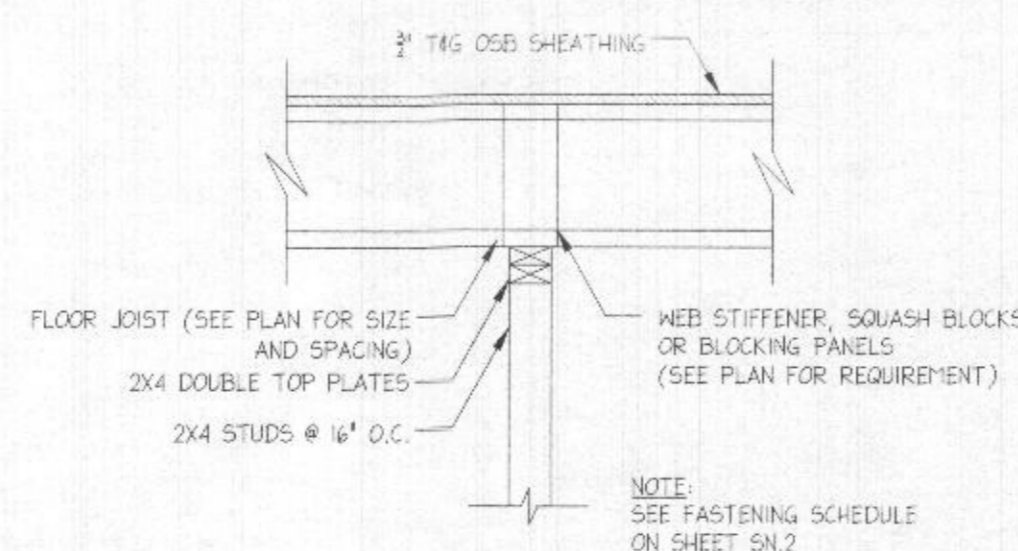
ROOF TRUSS BEARING ON WOOD WALL SECTION (TYP)
 3/4" PER FOOT



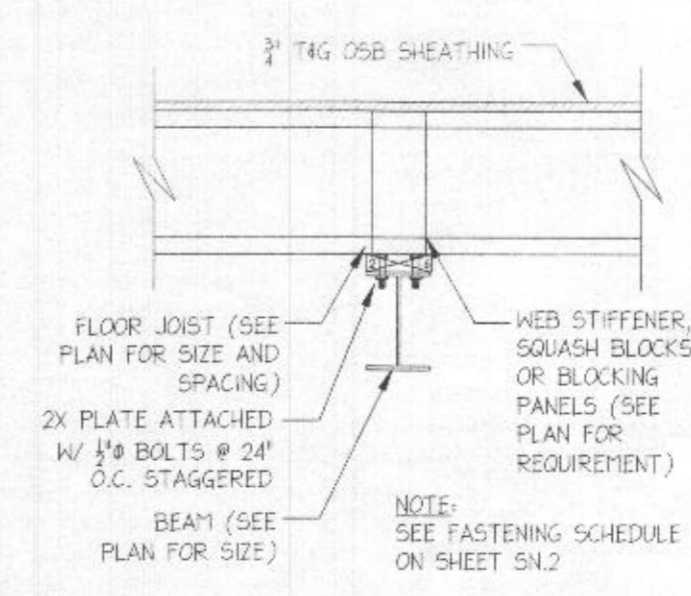
ROOF TRUSS PERPENDICULAR TO WOOD WALL SECTION (TYP)
 3/4" PER FOOT



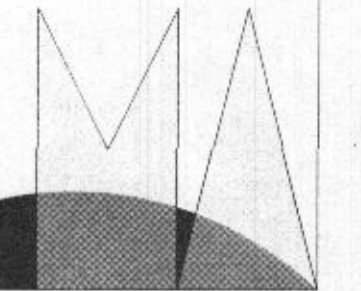
STEP FOOTING DETAIL (TYP)
 NTS



JOIST BEARING ON WOOD WALL SECTION (TYP)
 3/4" PER FOOT



JOIST BEARING ON STEEL SECTION (TYP)
 3/4" PER FOOT



PROFESSIONAL CERTIFICATION
 I certify that these documents were prepared or approved by me, and that I am a duly licensed professional architect under the laws of the State of Maryland.
 License Number #31466
 Expiration Date: 2/14/2023.

PROPOSED
 ADDITION

CALTON
 RESIDENCE
 1304 HAY MEADOW LANE
 SYKESVILLE, MARYLAND 21784

ARCHITECT
 Jonathan Rivera AIA, NCARB
 Howard County, Maryland
 443.226.5745
 jrivera@jonathanrivera.com

BUILDER



REVISIONS

NO.	DATE	REVISION
1	5-20-20	REVISION

SCALE:
 DETAILS

SD.1

PRINT DATE:
 Wednesday, June 23, 2021

PROPOSED ADDITION

CALTON RESIDENCE
1304 HAY MEADOW LANE
SYKESVILLE, MARYLAND 21784

ARCHITECT
Jonathan Rivera AIA, NCARB
Howard County, Maryland

443.226.5745
jrivera@jonathanrivera.com

BUILDER



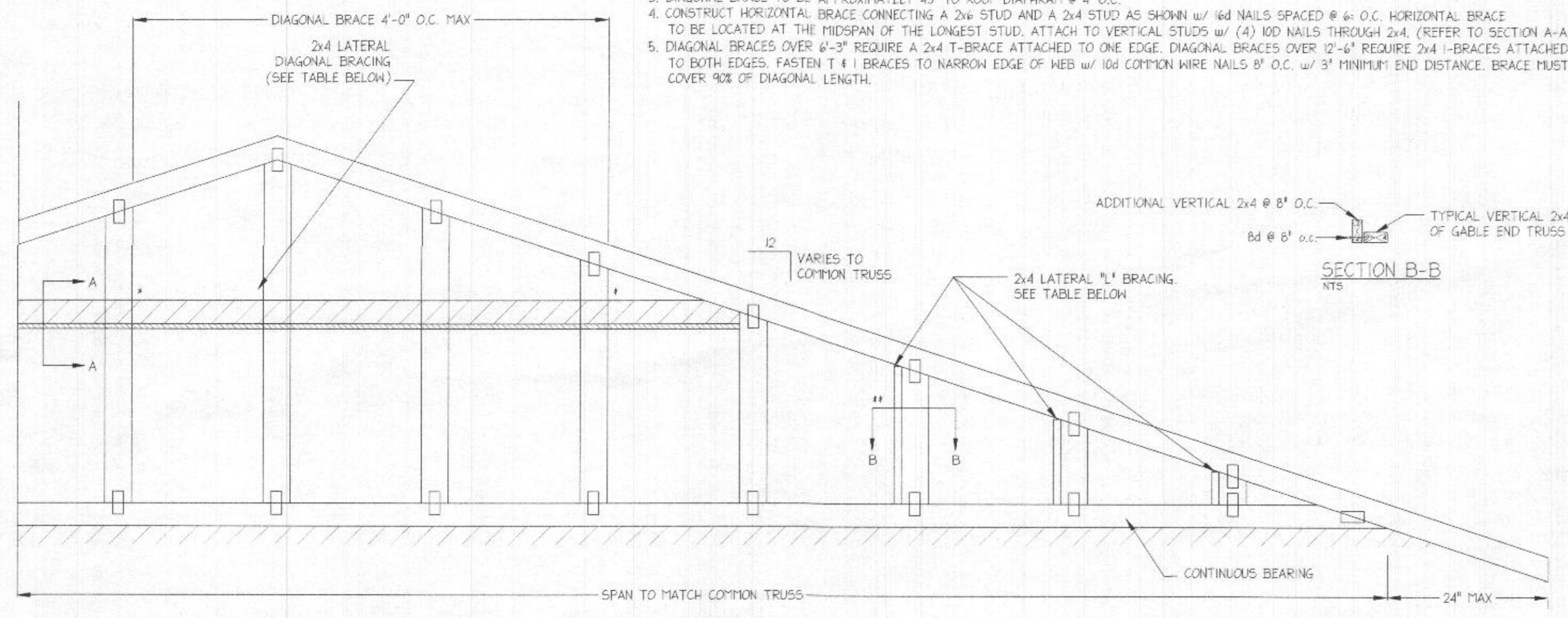
REVISIONS
1 5-20-20 REVISION

SCALE:
DETAILS

SD.2

PRINT DATE:
Wednesday, June 23, 2021

- NOTE:
1. FURNISH A COPY OF THIS DETAIL TO THE SUB-CONTRACTOR BRACING INSTALLATION
2. "L" BRACES SPECIFIED ARE TO BE FULL LENGTH GRADES 2x4 STUD OR BETTER w/ 1 ROW OF 10d NAILS SPACED @ 6" O.C.
3. DIAGONAL BRACE TO BE APPROXIMATELY 45° TO ROOF DIAPHRAM @ 4" O.C.
4. CONSTRUCT HORIZONTAL BRACE CONNECTING A 2x6 STUD AND A 2x4 STUD AS SHOWN w/ 16d NAILS SPACED @ 6" O.C. HORIZONTAL BRACE TO BE LOCATED AT THE MIDSPAN OF THE LONGEST STUD. ATTACH TO VERTICAL STUDS w/ (4) 10d NAILS THROUGH 2x4. (REFER TO SECTION A-A)
5. DIAGONAL BRACES OVER 6'-3" REQUIRE A 2x4 T-BRACE ATTACHED TO ONE EDGE. DIAGONAL BRACES OVER 12'-6" REQUIRE 2x4 L-BRACES ATTACHED TO BOTH EDGES. FASTEN T & L BRACES TO NARROW EDGE OF WEB w/ 10d COMMON WIRE NAILS @ 6" O.C. w/ 3" MINIMUM END DISTANCE. BRACE MUST COVER 90% OF DIAGONAL LENGTH.



1-DIAGONAL BRACING. REFER TO SECTION A-A
2-'L' BRACING. REFER TO SECTION B-B

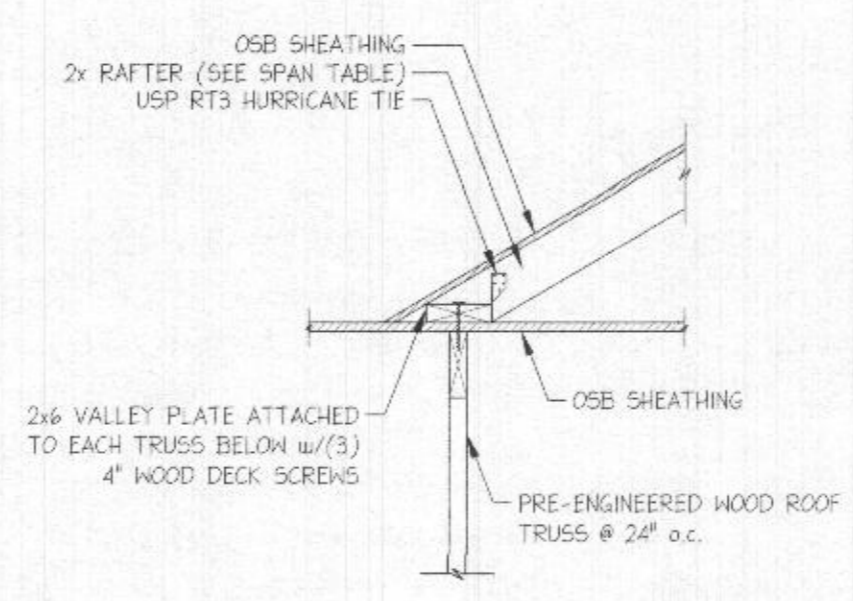
LATERAL BRACING NAILING SCHEDULE

VERTICAL HEIGHT	NUMBER OF NAILS
UP-TO 6'-11"	2-16d
7'-0" & 8'-5"	3-16d
8'-6" & OVER	4-16d

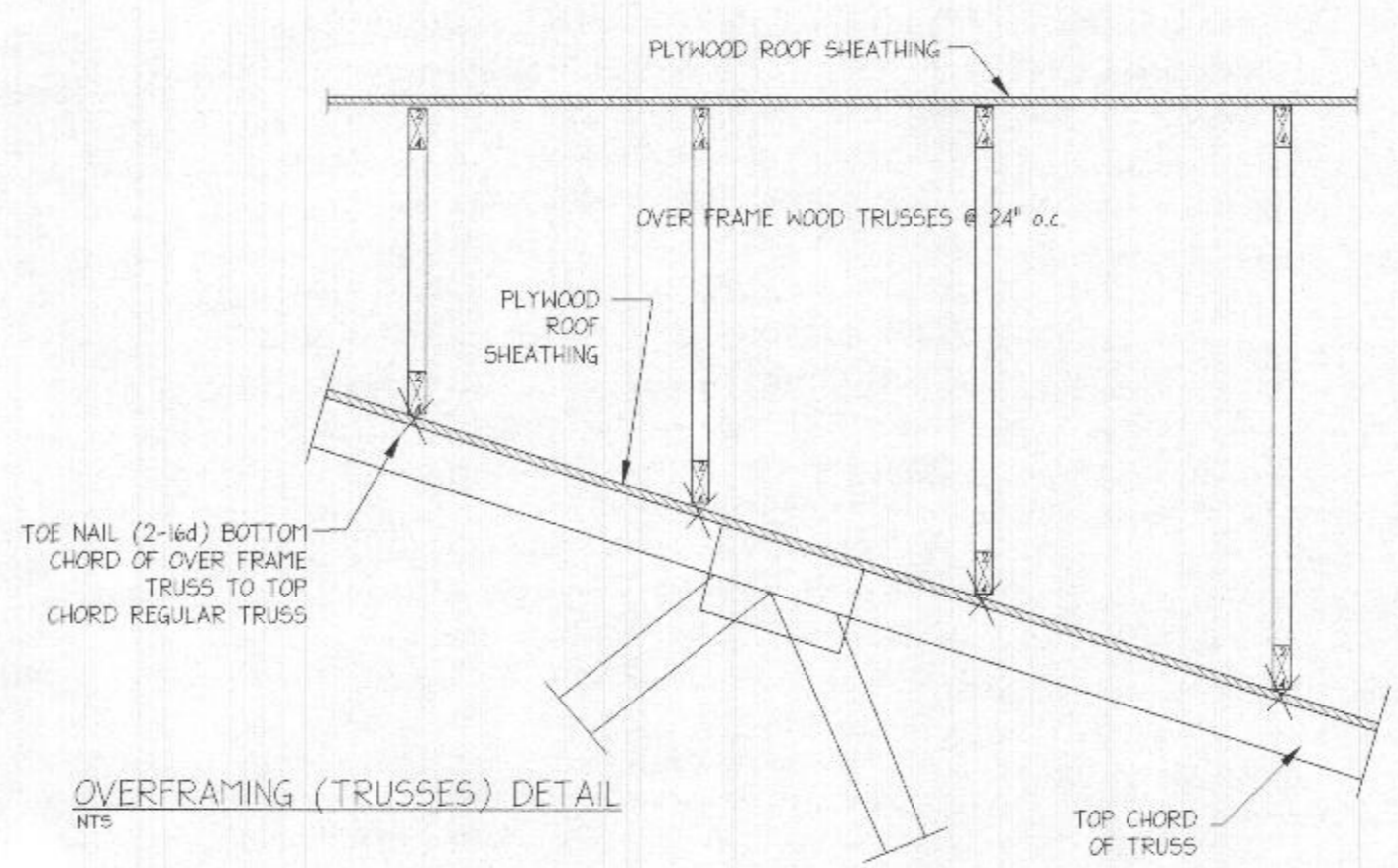
MAXIMUM VERTICAL STUD HEIGHT

SPACING OF VERTICALS	W/O LATERAL BRACE	WITH "L" BRACE	WITH DIAGONAL BRACE	WITH 2 DIAGONAL BRACES AT 4 POINTS
12" o.c.	4'-9-3/4"	7'-10"	9'-7-1/2"	14'-5-1/4"
16" o.c.	4'-4-1/2"	6'-9-3/4"	8'-8-3/4"	13'-1-1/4"
24" o.c.	3'-9-1/2"	5'-6-1/2"	7'-7-1/4"	11'-4-3/4"

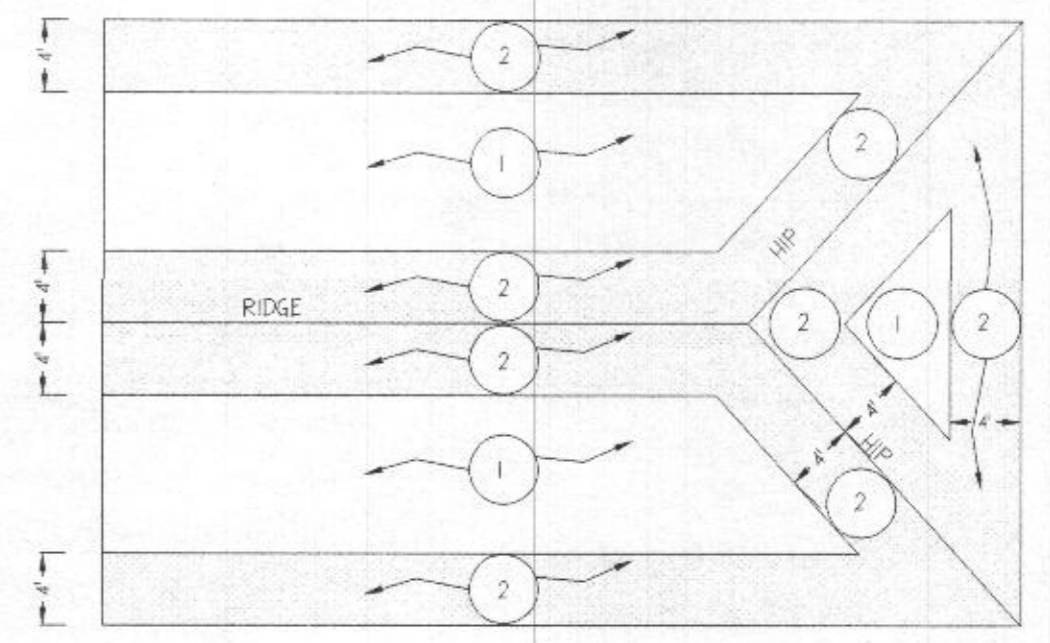
THIS TABLE CANNOT BE USED WITH BRICK VENEER



OVER FRAMING CONNECTION DETAIL (TYP)
3/4" PER FT



OVERFRAMING (TRUSSES) DETAIL
NTS



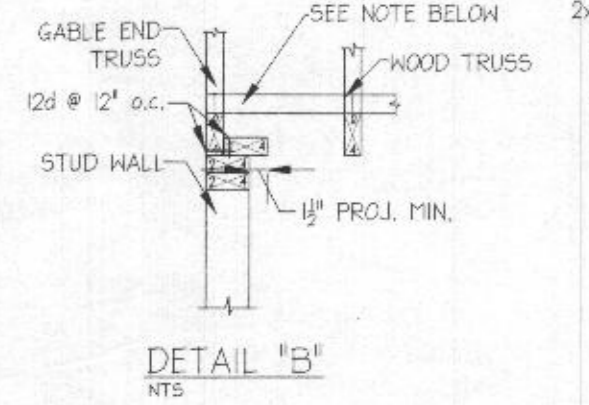
NAIL SPACING SCHEDULE

ZONE	1		2	
	<110 MPH (35EC GUST)	≥110 MPH (35EC GUST)	<110 MPH (35EC GUST)	≥110 MPH (35EC GUST)
PANEL EDGE	6" O.C.	4" O.C.	6" O.C.	6" O.C.
PANEL INTERIOR	12" O.C.	6" O.C.	12" O.C.	6" O.C.

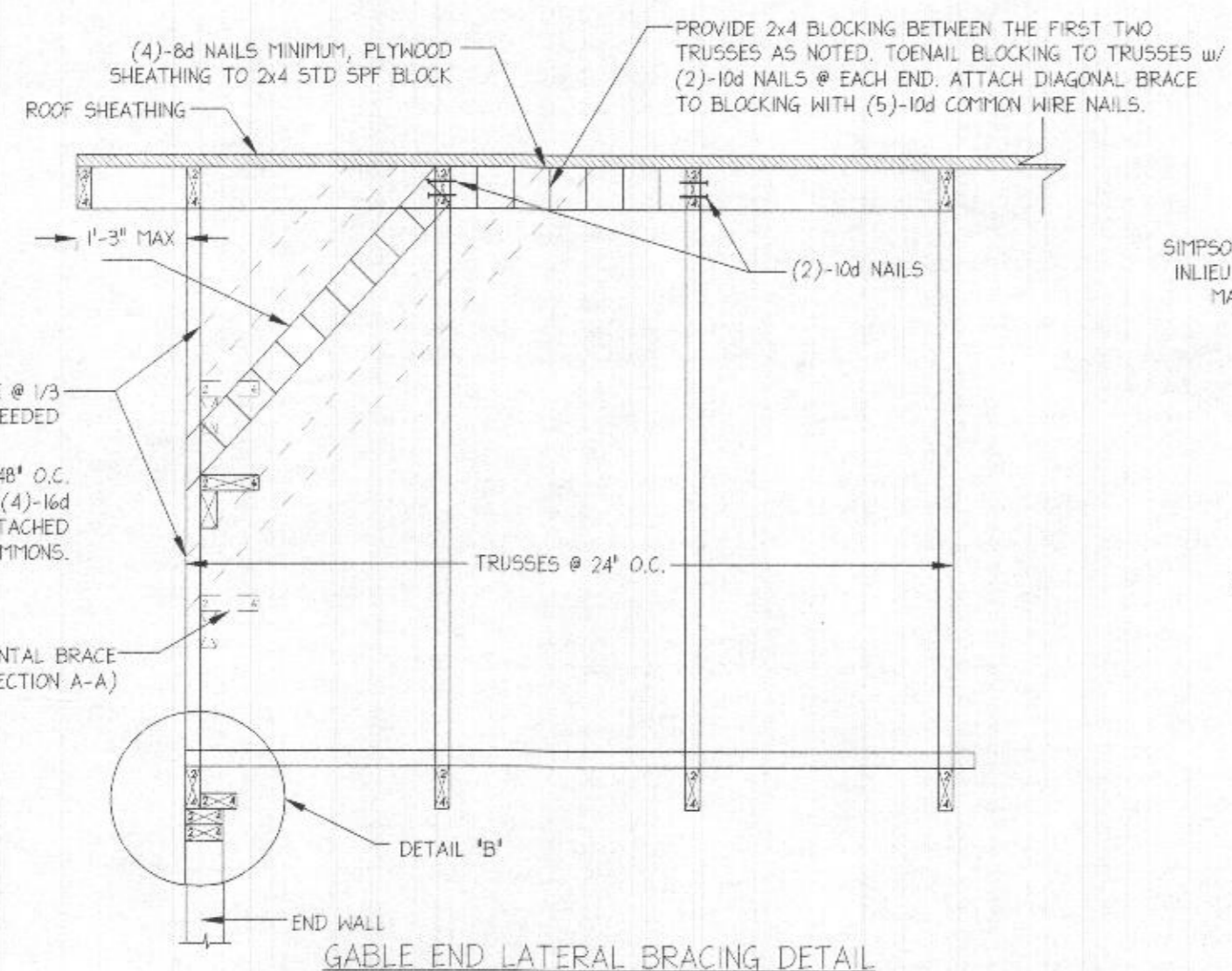
NOTE: USE 6d RING SHANK NAILS
PARTIAL ROOF (PLAN VIEW) SHOWING SHEATHING/FASTENING DETAIL

MAXIMUM WIND SPEED = 100 MPH
MAX MEAN ROOF HEIGHT = 30'-0"
CATEGORY II BUILDING
EXPOSURE B or C
ASCE 7-16
DURATION OF LOAD INCREASE: 1.60

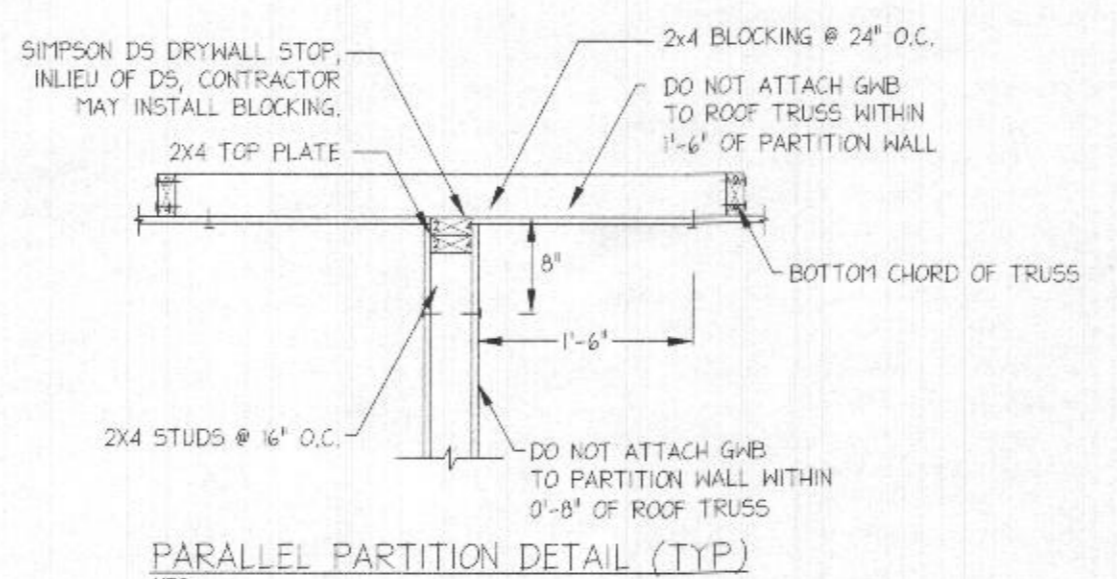
NOTE:
BOTTOM CHORD HORIZONTAL BRACING, 2x4 (FLAT) ATTACHED TO 4 TRUSSES w/ 3'-0" o.c. NAIL TO TOP OF EACH BOTTOM CHORD WITH 2-16d NAILS.



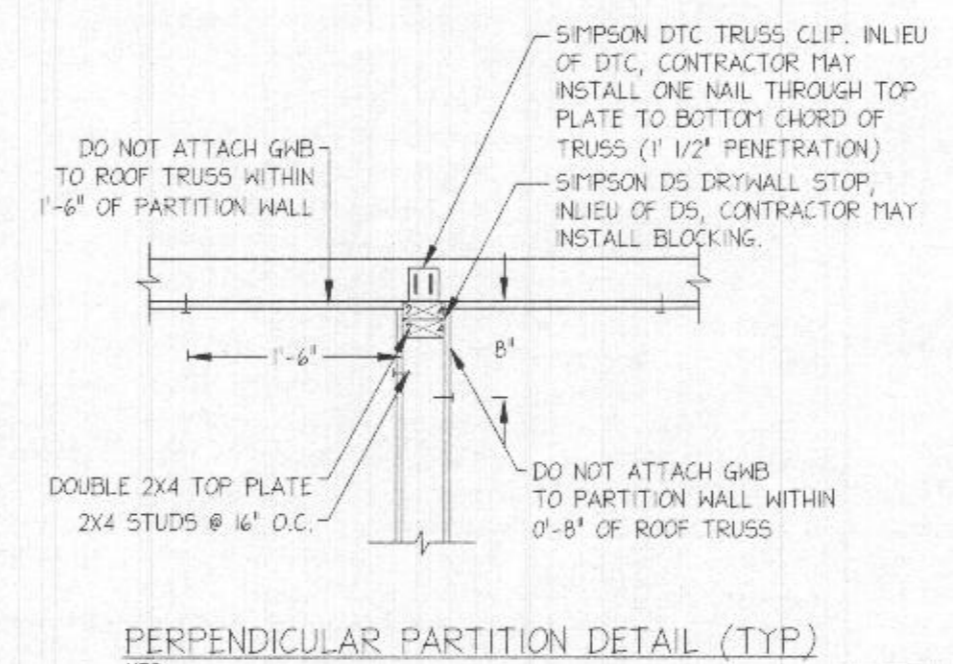
DETAIL 'B'
NTS



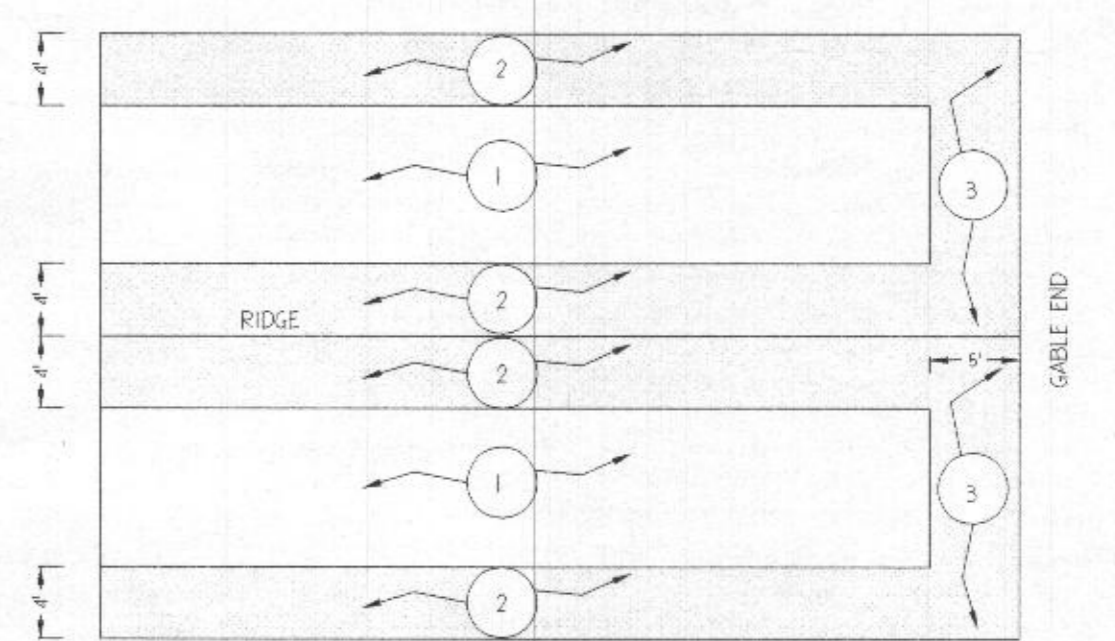
GABLE END LATERAL BRACING DETAIL
NTS



PARALLEL PARTITION DETAIL (TYP)
NTS



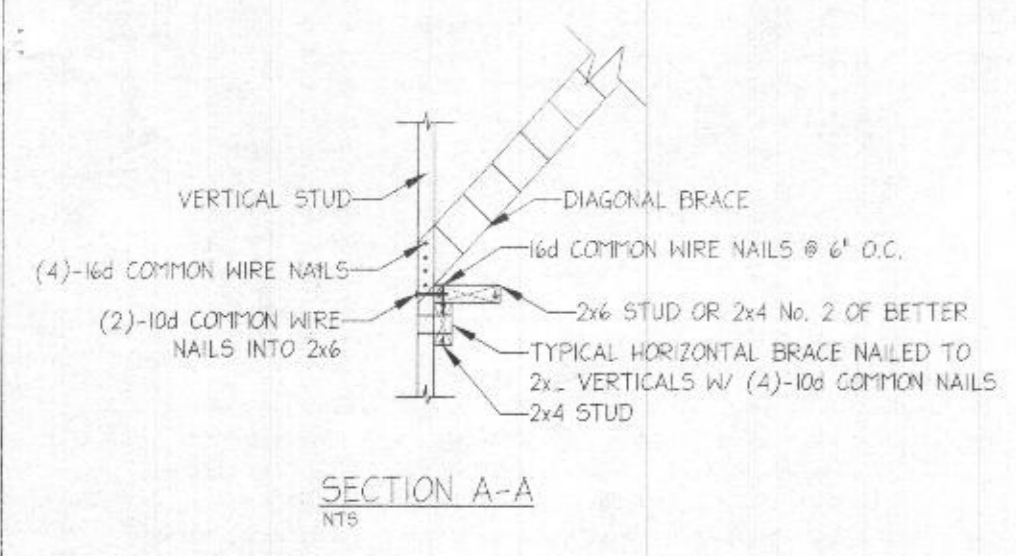
PERPENDICULAR PARTITION DETAIL (TYP)
NTS



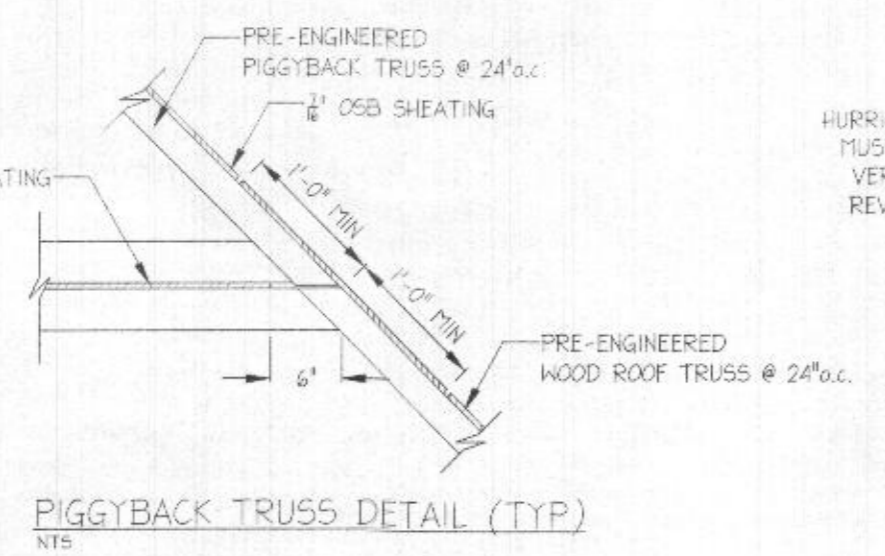
NAIL SPACING SCHEDULE

ZONE	1		2		3	
	<110 MPH (35EC GUST)	≥110 MPH (35EC GUST)	<110 MPH (35EC GUST)	≥110 MPH (35EC GUST)	<110 MPH (35EC GUST)	≥110 MPH (35EC GUST)
PANEL EDGE	6" O.C.	4" O.C.	6" O.C.	6" O.C.	6" O.C.	4" O.C.
PANEL INTERIOR	12" O.C.	6" O.C.	12" O.C.	6" O.C.	6" O.C.	6" O.C.

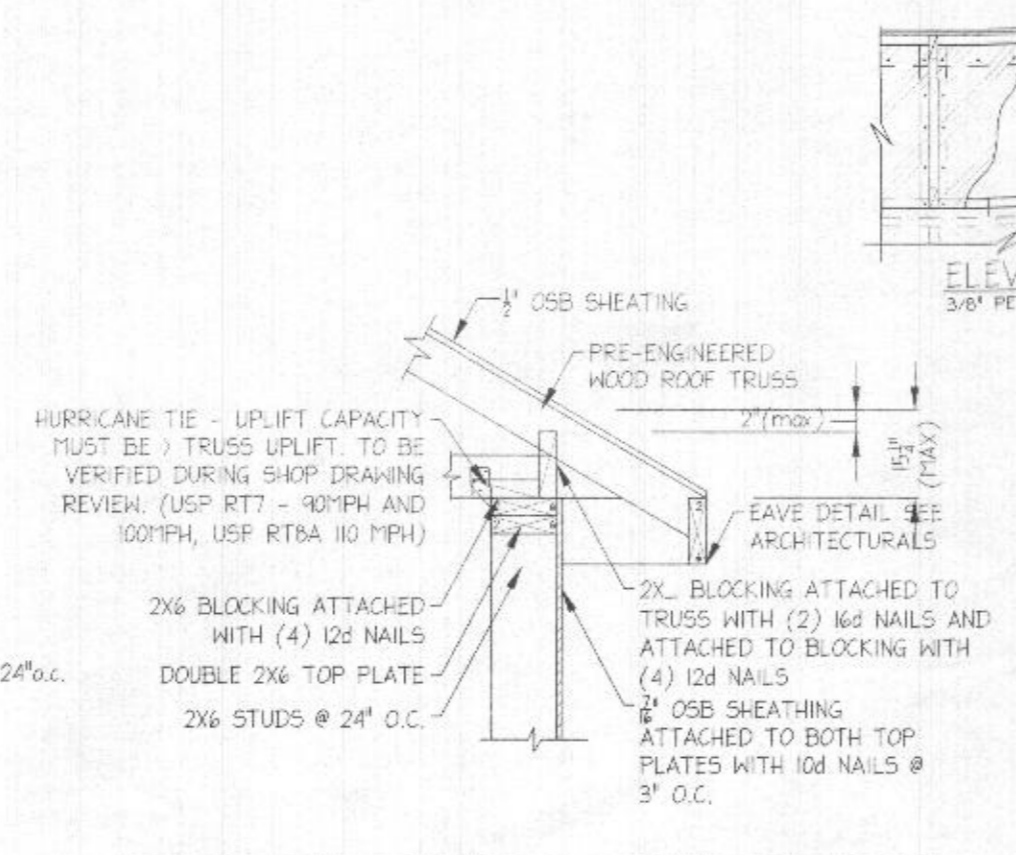
NOTE: USE 6d RING SHANK NAILS
PARTIAL ROOF (PLAN VIEW) SHOWING SHEATHING/FASTENING DETAIL



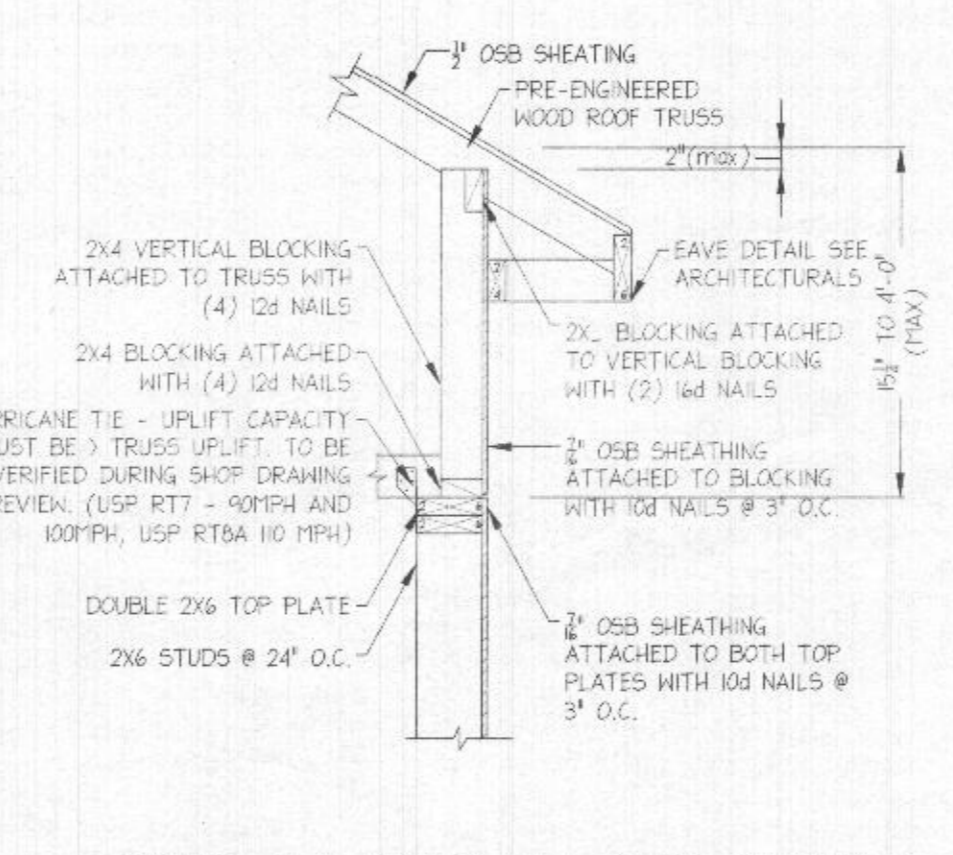
SECTION A-A
NTS



PIGGYBACK TRUSS DETAIL (TYP)
NTS



BRACED WALL / SHEAR WALL PANEL CONNECTION
3/4" PER FOOT
HEEL HEIGHT 1/8 1/4" TO 1/4"



BRACED WALL / SHEAR WALL PANEL CONNECTION
3/4" PER FOOT
HEEL HEIGHT 1/8 1/4" TO 1/4"