

04-352483

PERMIT

P 515263

SEWAGE DISPOSAL SYSTEM

A 45335

HOWARD COUNTY HEALTH DEPARTMENT

BUREAU OF ENVIRONMENTAL HEALTH
410-313-2640

ISSUE DATE 5/30/2001

APPROVAL DATE 7/19/01

6/11/01
ASAP
6/4/01 - Anytime
7/19/01 - PM House Conn

INDEXED

Union Paving Company, Inc IS PERMITTED TO INSTALL ALTER

ADDRESS 5977 Sandy Ridge Road, Elkridge, MD 21075 PHONE 410-379-6463

SUBDIVISION Hong Property LOT NUMBER 2 ADDRESS 15807 Old Frederick Road

PROPERTY OWNER Altieri Homes PROPERTY OWNER'S ADDRESS 9017 Red Branch Rd (21045)

SEPTIC TANK CAPACITY 1250 GALLONS * WATERTIGHT SEPTIC TANK REQUIRED *

PUMP CHAMBER CAPACITY N/A GALLONS

NUMBER OF BEDROOMS 4

SQUARE FEET PER BEDROOM 210

LINEAR FEET OF TRENCH REQUIRED 280

TRENCHES: Trenches to be 3 feet wide. Inlet 3 feet below original grade. Bottom maximum depth 5 feet below original grade. 2 feet of stone below distribution pipe.

LOCATION: Starting from the left rear lot corner (377.68'/608.18' intersection), place the distribution box 190 feet up the 377.68' lot line and 165 feet off this same lot line. Run (4) 70' trenches on contour in either direction. 2/1/01 OK (BB)

PLANS APPROVED Mark Rifkin, R.S. DATE 1/31/2001

PERMIT VOID AFTER 2 YEARS

NOTE: CONTRACTOR RESPONSIBLE FOR SCHEDULING A PRE-CONSTRUCTION INSPECTION FOR ALL INSTALLATIONS

NOTE: TOP OF SEPTIC TANKS ARE TO BE NO DEEPER THAN 3.0 FEET BELOW FINISH GRADE

NOTE: WATERTIGHT SEPTIC TANKS REQUIRED

NOTE: CLEANOUT REQUIRED EVERY 70 FEET OF SEWER LINE AND/OR AT 90° SWEEPS IN LINES FROM HOUSE TO DRAIN FIELDS, 90° ELBOWS ARE NOT ACCEPTABLE

NOTE: ALL PARTS OF SEPTIC SYSTEMS (I.E. TANK, DISTRIBUTION BOX, DRAINFIELDS) TO BE 100 FEET FROM ANY WATER WELL UNLESS OTHERWISE SPECIFICALLY AUTHORIZED

NOTE: NO ABSORPTION TRENCH TO EXCEED 100 FEET IN LENGTH UNLESS SPECIFICALLY AUTHORIZED

NOTE: ALL PIPE FROM HOUSE TO SEPTIC TANK MUST BE CAST IRON OR SCHEDULE 35/40 PVC OR ABS

NOTE: MANHOLE RISERS REQUIRED ON ALL SEPTIC TANKS AND PUMP CHAMBERS

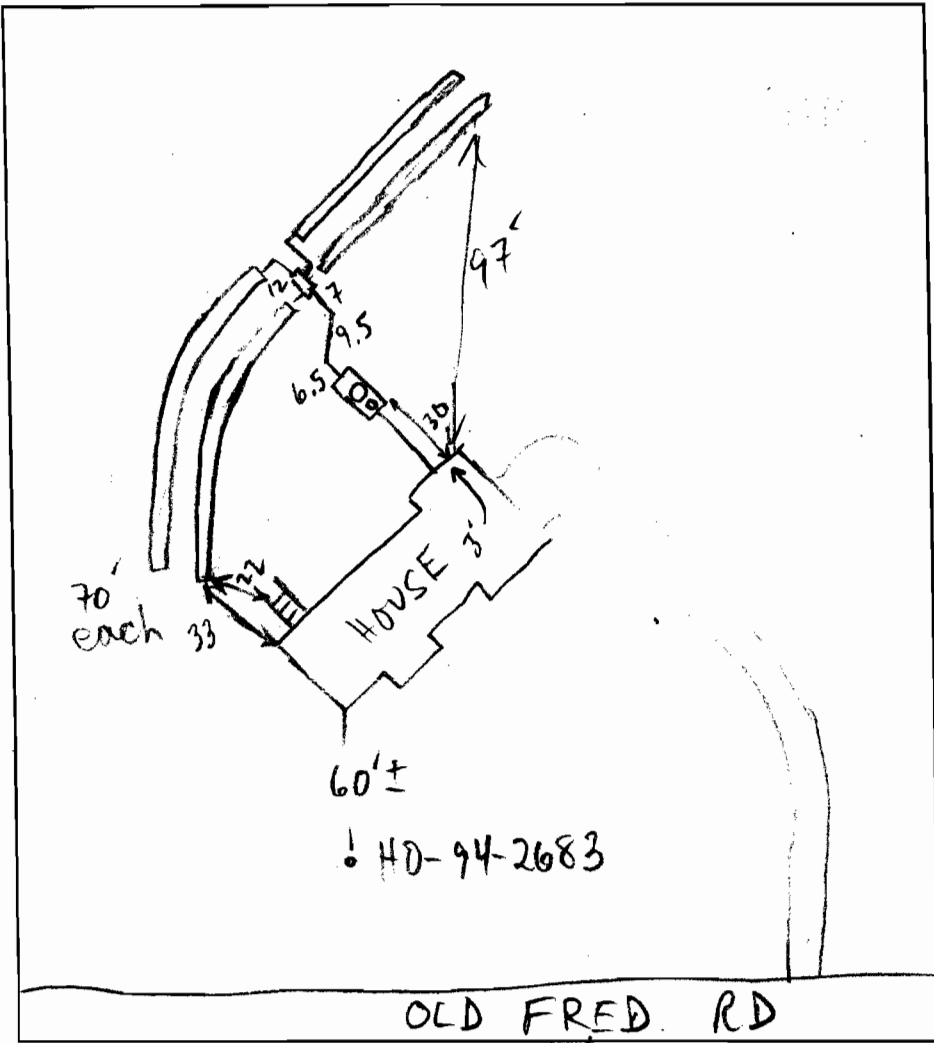
NOTE: DISTRIBUTION BOXES MUST HAVE BAFFLES

NOTE: IF PUMPED SEPTIC SYSTEM REQUIRED, (1) SEPTIC PUMP DETAIL TO BE PROVIDED BY INSTALLER PRIOR TO ISSUANCE OF SEPTIC PERMIT (2) PUMP PERFORMANCE TEST IS NECESSARY PRIOR TO HEALTH DEPARTMENT APPROVAL OF SEPTIC PERMIT

NEITHER THE HOWARD COUNTY COUNCIL NOR THE HEALTH DEPARTMENT IS RESPONSIBLE FOR THE SUCCESSFUL OPERATION OF ANY SYSTEM
PERMITTEE RESPONSIBLE FOR OBTAINING FINAL APPROVAL ON THIS PERMIT
CALL 410-313-2640 FOR INSPECTION OF SEPTIC SYSTEM

0515263

NOT TO SCALE



TRENCH DATA

TRENCH WIDTH 3'
 TRENCH INLET DEPTH 3'
 TRENCH BOTTOM DEPTH 5'
 DEPTH OF STONE 2'
 NUMBER OF TRENCHES 4
 TOTAL TRENCH LENGTH 280'
 ABSORBENT AREA 840^{sq}ft
 DISTRIBUTION BOX LEVEL
 BAFFLE IN DISTRIBUTION BOX

SEPTIC TANK DATA

SEPTIC TANK 1250 TS GALLONS
 MANHOLE RISER
 6 INCH INSPECTION PORT

PUMP CHAMBER DATA

~~PUMP CHAMBER GALLONS _____~~
~~MANHOLE RISER _____~~
~~ALARM _____~~
~~PUMP PERFORMANCE TEST _____~~

PRE-CONSTRUCTION INSPECTION: 6/1/01 OK TO START PER PLAN (MR)

INSPECTION COMMENTS: 6/4/01 OK TO COVER TANK & TRENCHES, HOLD FOR HOUSE CONN (MR)

7/19/01 - HOUSE CONN. VERIFIED TO HAVE BEEN MADE BY SEPTIC CONTRACTOR
(SRK)

INSPECTOR Steven R. Krieg DATE SYSTEM APPROVED 7/19/01

↑ 400' TO OLD FRED. RD

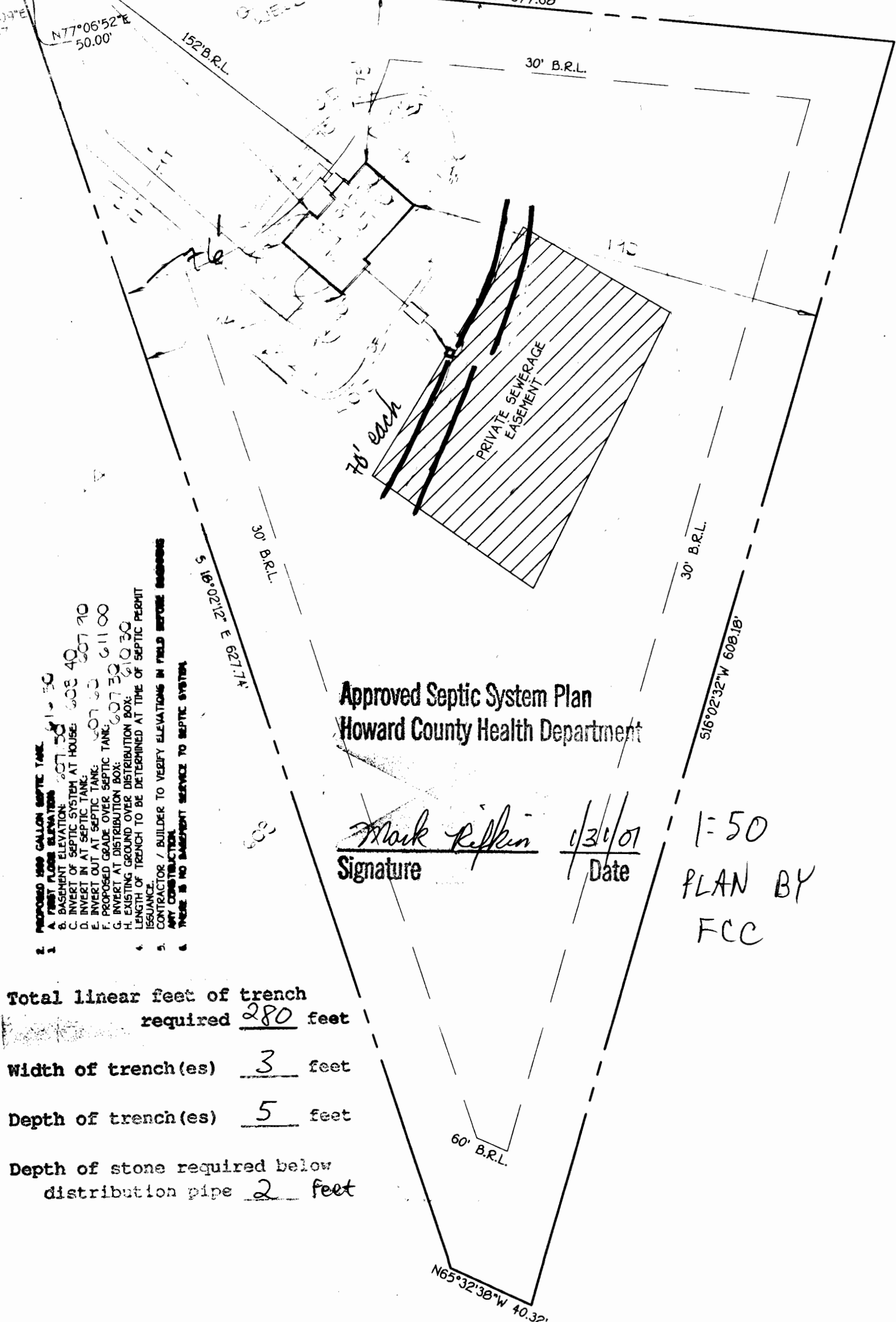
S12°53'09"E
4.14'

N 84°07'06" W 377.68'

N77°06'52"E
50.00'

152' B.R.L.

30' B.R.L.



1. PROPOSED 1000 GALLON SEPTIC TANK
2. A. FIRST FLOOR ELEVATION: 607.50
3. B. BASEMENT ELEVATION: 607.50
4. C. INVERT OF SEPTIC SYSTEM AT HOUSE: 608.40
5. D. INVERT IN AT SEPTIC TANK: 607.10
6. E. INVERT OUT AT SEPTIC TANK: 607.50
7. F. PROPOSED GRADE OVER SEPTIC TANK: 611.00
8. G. INVERT AT DISTRIBUTION BOX: 610.30
9. H. EXISTING GROUND OVER DISTRIBUTION BOX: 610.30
10. LENGTH OF TRENCH TO BE DETERMINED AT TIME OF SEPTIC PERMIT ISSUANCE.
11. CONTRACTOR / BUILDER TO VERIFY ELEVATIONS IN FIELD BEFORE BEGINNING ANY CONSTRUCTION.
12. THERE IS NO BASEMENT SERVICE TO SEPTIC SYSTEM.

Approved Septic System Plan
Howard County Health Department

Mark Reffkin
Signature

1/31/07
Date

1:50
PLAN BY
FCC

Total linear feet of trench required 280 feet

Width of trench(es) 3 feet

Depth of trench(es) 5 feet

Depth of stone required below distribution pipe 2 feet

