

AP 526184

206
 1" Bm SiCL
 Bm gr
 SiL
 2' Yell Bm
 VFSL
 W/saprolite
 13'

207
 6" Bm L
 Bm SiCL
 gr
 1.5' Yell Bm
 SiL gr
 3.5' Yell Bm
 FSL
 saprolite
 11.5'

210
 8" Bm L
 Yell Bm
 SiL gr
 3' Yell Bm
 FSL
 Saprolite
 11'

Holes dug Per Plan
 Shown on Back side

208
 8" Bm L
 Bm
 gr SiL
 4' Yell Bm
 FSL
 Saprolite
 11.5'

209
 8" Bm L
 Bm
 gr SiCL
 2.5' Yell Bm
 FSL
 Saprolite
 12'

212
 6" Bm L
 Bm
 gr SiCL
 2.5' Yell Bm
 SiL
 3.5' Yell Bm
 FSL
 Saprolite
 13'

DATE	TEST #	DEPTH	START	BREAK 1" DROP	STOP 2" DROP	TIME OF 2ND INCH	P/F/H
8/14/07	206	4' 13"	9:31	9:33	9:39	6	P
	207	4' 11.5"	9:38	9:42	9:50	8	P
	210	4' 11"	9:41	9:52	10:00	8	P
	209	4' 12"	10:04	10:08	10:15	7	P
	212	4' 13"	10:05	10:12	10:22	10	P
	208	VISUAL					P

REMARKS
 SANITARIAN AT BACKHOE Justin (levelance) OTHERS Jeremy Rutter
 TEST HOLES USED IN SDA _____ AVG. PERC TIME _____ SQ. FT/BR _____
 TRENCH WIDTH _____ INLET DEPTH _____ MAX. BOT DEPTH _____ EFFECTIVE S/W _____

POLE #551088

GUY WIRE

S80°55'03"E

ChB2

N08°34'57"E
351.45'

Morgan Station ROAD

DAVIS PROPER

G1C3 G2B2

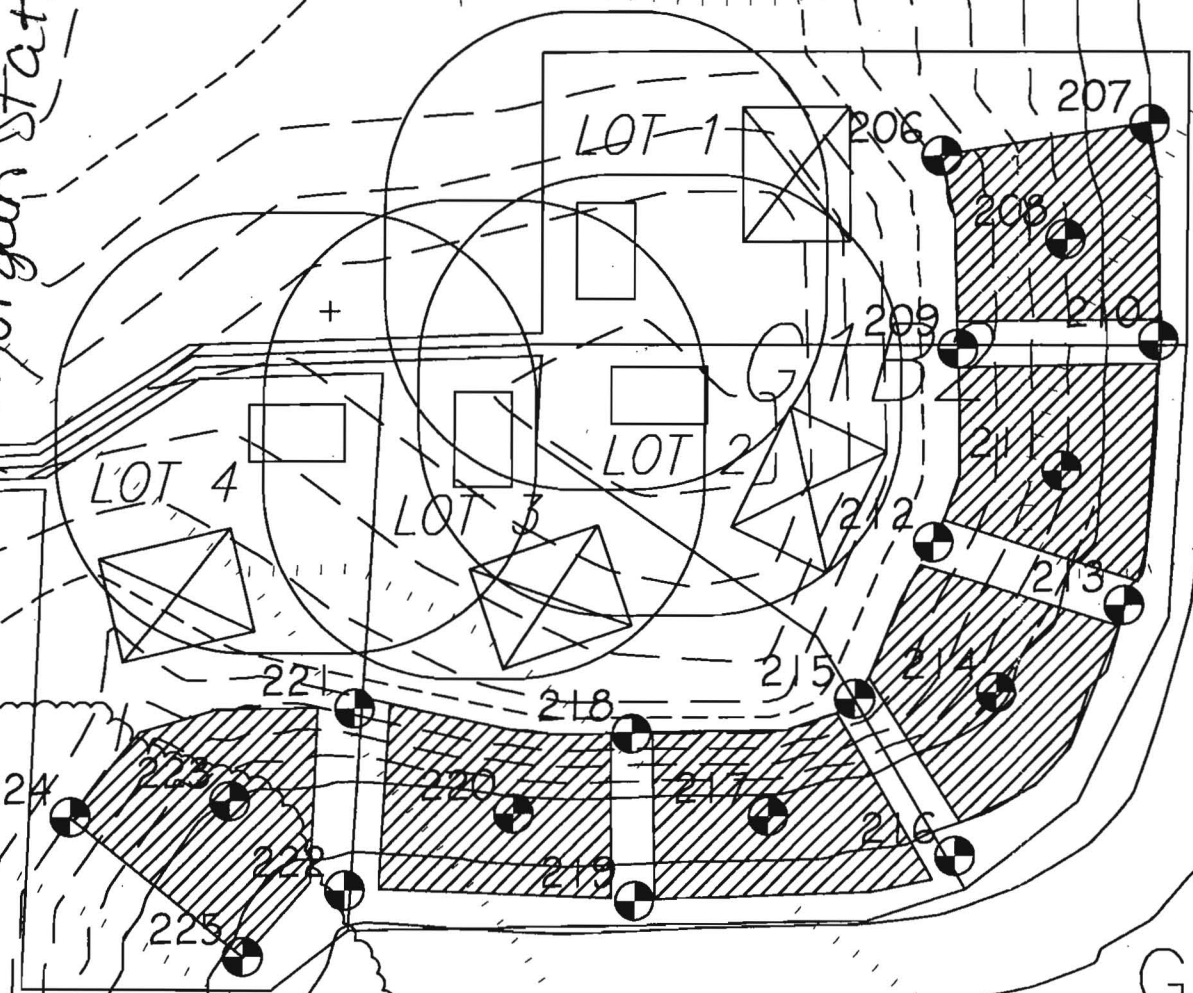
PERC PLAN

CABLE BOX

N08°52'44"E
295.82'

N08°52'44"E
198.00'
R=1640.36' A=1

AN



200

GRA

AP 5201804

211

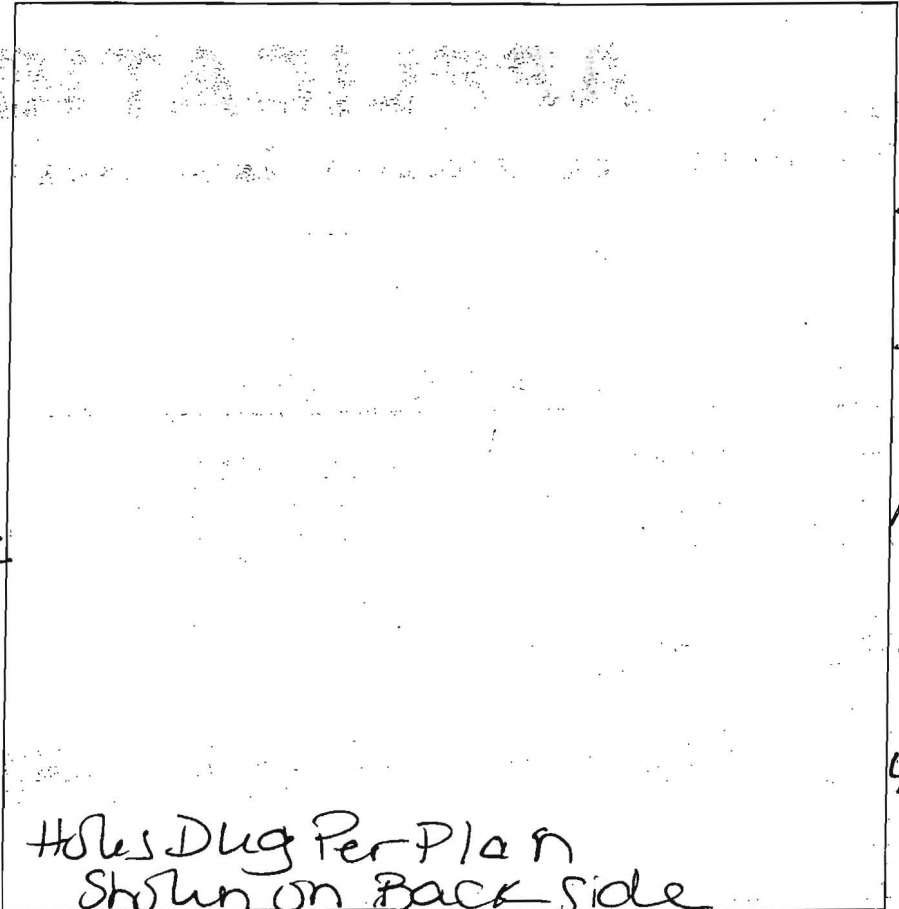
8" Bm L
 2' Bm gr sil
 2' Yell Bm gr sil
 3.5' Yell Bm FSL saprolite

213

8" Bm L
 2' Bm gr sil
 4' Yell Bm FSL saprolite

214

8" Bm L
 1.5' Bm gr sil
 3.5' Yell Bm gr sil
 13' Yell Bm FSL saprolite



Holes Dug Per Plan Shown on Back Side

215

1' Bm L
 2.5' Bm gr sil
 3.5' Yell Bm FSL saprolite

216

8" Bm L
 4.5' Bm gr CL
 7' Yell Bm FSL dense saprolite less dense FSL

219

8" Bm L
 8' RDBm gr CL
 5' RDBm gr sil saprolite
 13' Bm FSL saprolite

DATE	TEST #	DEPTH	START	BREAK 1" DROP	STOP 2" DROP	TIME OF 2ND INCH	P/F/H
3/14/07	211	VISUAL					P
	213	4.5' / 11'	10:17	10:22	10:36	14	P
	214	3.5' / 13'	10:30	10:38	10:45	7	P
	215	4.5' / 13'	10:41	10:46	10:58	12	P
	216	5' / 13'	10:48	SLOW-PULLED			
		6' / 13'	11:20	11:41	12:10	29	P
		Better @ 7'					
	219	5' / 13'	11:01	11:04	11:09	5	P

REMARKS _____
 SANITARIAN at BACKHOE JUSTIN (level land) OTHERS Jeremy Rulter
 TEST HOLES USED IN SDA _____ AVG. PERC TIME _____ SQ. FT/BR _____
 TRENCH WIDTH _____ INLET DEPTH _____ MAX. BOT DEPTH _____ EFFECTIVE SW _____

