

**B**

9" dk brn L  
2 fg & vlsbk  
few mica  
slightly sticky

13" brn L, 1 sbk  
SS, few mica

22" yel-red L  
1 msbk  
few mica

1mpl → 3msbk  
common fine mica

34" SS, clay skins,  
com. black coats on red faces

yel-red & pale brn  
psl, many mica

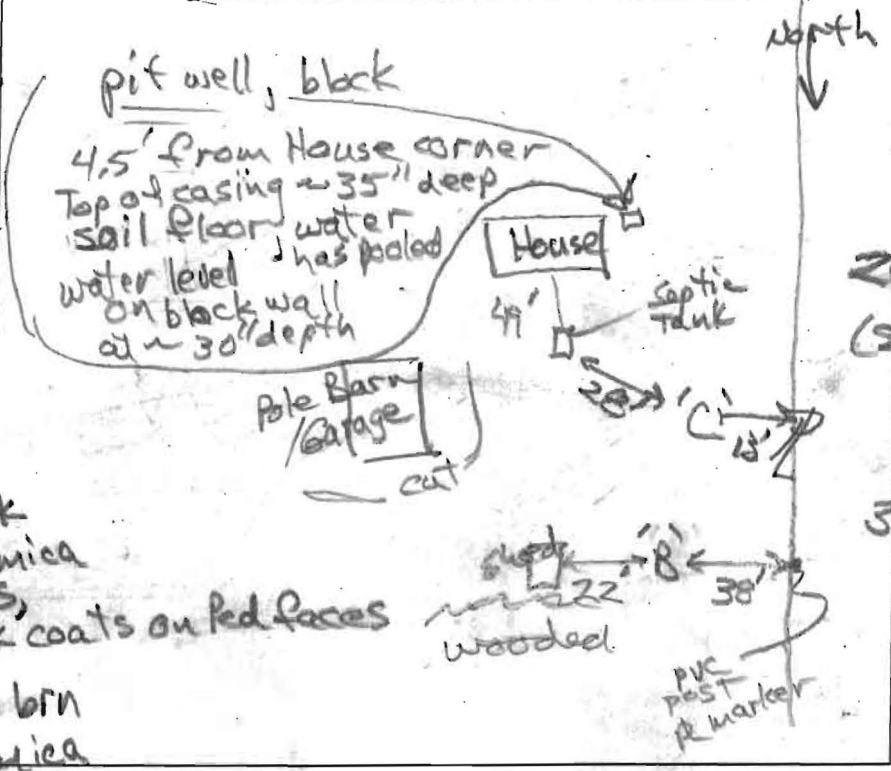
1mpl → 2msbk

66" channers  
appear to increase  
(rock controlled  
platy structure)

75' vch & fill  
grey & pale brn  
black coats on rock faces

10'

12930 RT-144  
(Frederick Road)



**C**

5" dk brn L  
2fg

14" brn L  
2 vlsbk  
few mica

brn L  
2msbk  
common mica

20" SS,  
yel-red L  
(some psl)

1mpl → 3msbk  
common mica

31" SS

yel-red  
& pale brn  
sl, 1mpl → 2msbk  
many mica  
few channers  
few black coats  
on red faces

60" - 84"

dk brn-grey  
vchls  
many mica  
~60% rock

DATE	TEST #	DEPTH	START	BREAK 1" DROP	STOP 2" DROP	TIME OF 2ND INCH	P/F/H
irregular boundary							
	B	5"-22"			max. 0.3 gpd / ft <sup>2</sup>		
	C	5"-31"			max. 0.3 gpd / ft <sup>2</sup>		

Low relief; space lines widely

REMARKS \_\_\_\_\_

SANITARIAN R. Bucker BACKHOE Fogle's Jake OTHERS Brian Baker  
Mr. Ridgeley (?)

TEST HOLES USED IN SDA \_\_\_\_\_ AVG. PERC TIME \_\_\_\_\_ SQ. FT/HR \_\_\_\_\_

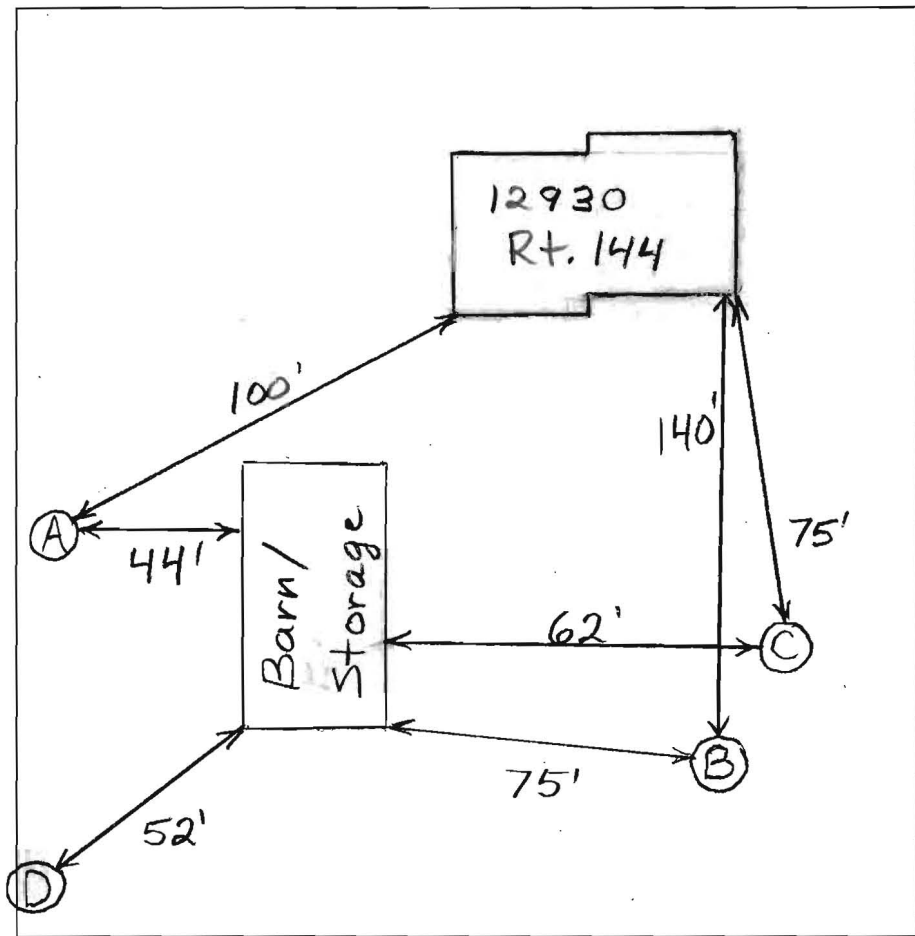
TRENCH WIDTH \_\_\_\_\_ INLET DEPTH \_\_\_\_\_ MAX. BOT DEPTH \_\_\_\_\_ EFFECTIVE SW \_\_\_\_\_

A/P 546397

(A)  
 1.5'-2' Topsoil  
 Red Br Sa Cl Loam  
 3' Hard Bottom

(B)  
 9" Topsoil Br Loam  
 18" Moderately Dense Sa Cl Loam  
 4' Dense Red Sa Cl Loam  
 9' Moderately Dense Sa Cl Loam  
 10' >50% Rock Hard Bottom

(C)  
 1' Br Loam  
 3' Dense Sa Cl Loam  
 4'-7' Dense Sa Cl Loam - Sa Loam Mixture  
 8.5' >50% Rock Hard Bottom



(D)  
 Br Sa Cl Loam-Loam 12"-16"  
 Moderately Dense to Dense Sa Cl Loam  
 2'-3' Saprolite and ~30% Rock Hard Bottom 5.5'

DATE	TEST #	DEPTH	START	BREAK 1" DROP	STOP 2" DROP	TIME OF 2ND INCH	P/F/H
6/19/2014	A	3'	Visual	Hard Bottom			H
	B	63"/10'	11:03	1:22		Pulled, Almost to Second Peg	F
		8"	11:17	1:40	2:32	52	H
		17"	1:13	1:46	2:43	57	H
		19"	1:28	1:50	2:26	36	H
	C	10"/85'	12:37	12:46:30	1:11:30	25	H
		18"	1:43	3:03		Pulled, Almost to Second Peg	F
		22"	12:37	12:52	1:33:30	41 1/2	H
	D	5.5'	Visual	Hard Bottom			H

REMARKS Sand Mound or at Grade  
 SANITARIAN B. Baker BACKHOE Fogles OTHERS R. Bricker, Jay Ridgely  
 TEST HOLES USED IN SDA \_\_\_\_\_ AVG. PERC TIME \_\_\_\_\_ SQ. FT/BR \_\_\_\_\_  
 TRENCH WIDTH \_\_\_\_\_ INLET DEPTH \_\_\_\_\_ MAX. BOT DEPTH \_\_\_\_\_ EFFECTIVE SW \_\_\_\_\_