

AP 545091

(A)

Red Br Si
Cl Loam

1.5'-2'

Red-Br
Loam

3'-3.5'

Beige and
Br Sa Loam
Turning to
a Loamy Sa
Deeper

8'

Mottling
Caving
Trace Rock

9.5'

Water

12'

(B)

Beige Sa
Cl Loam

1.5'-2'

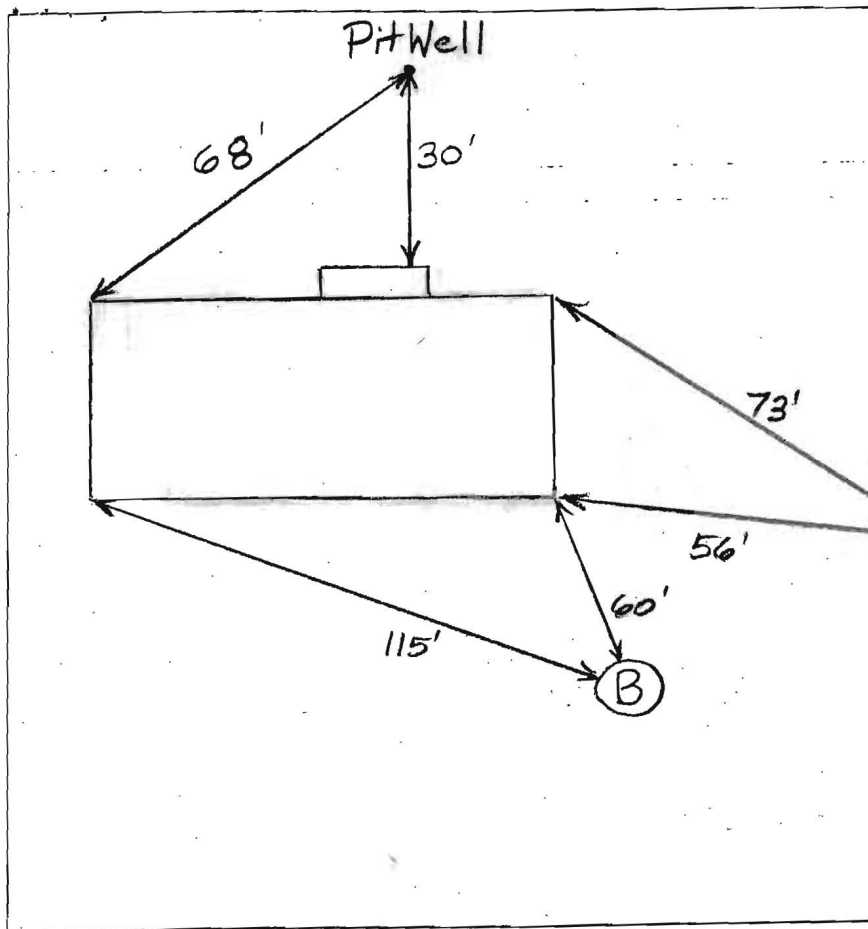
Beige Sa
Loam

2'-2.5'

Beige
Loamy Sa
Trace
Rock

12'

Starting
to Get Wet



DATE	TEST #	DEPTH	START	BREAK 1" DROP	STOP 2" DROP	TIME OF 2ND INCH	P/F/H
2/2/2013	A	4'9" / 12'	10:55	10:59	11:06	7	P
	B	4'5" / 12'	12:38	12:39:30	12:47	1 1/2	H
	Repour		12:42	12:43:45	12:46:15	2 1/2	P

REMARKS

SANITARIAN B. Baker BACKHOE King OTHERS Homeowners
 TEST HOLES USED IN SDA A+B AVG. PERC TIME _____ SQ. FT/BR _____
 TRENCH WIDTH _____ INLET DEPTH _____ MAX. BOT DEPTH _____ EFFECTIVE S/W _____