

PUB. SEWER STATUS VERIFIED BY _____

ISSUE DATE: _____

PERMIT

P 525655

APPROVAL DATE: 12/29/06

A REPAIR

Tax ID # _____

**ON-SITE SEWAGE DISPOSAL SYSTEM
HOWARD COUNTY HEALTH DEPARTMENT
BUREAU OF ENVIRONMENTAL HEALTH**

_____ IS PERMITTED TO INSTALL ALTER

ADDRESS: _____ PHONE NUMBER: _____

SUBDIVISION: Talley Property LOT NUMBER: 3

ADDRESS: 15014 Bushy Park Road PROPERTY OWNER: Rick Marion

SEPTIC TANK CAPACITY (GALLONS): _____

PUMP CHAMBER CAPACITY (GALLONS): _____

NUMBER OF BEDROOMS: 4

SQUARE FEET PER BEDROOM: 210

LINEAR FEET OF TRENCH REQUIRED: 240

TRENCHES:	Trench to be 2 feet wide. Inlet 6 feet or less below original grade. Bottom maximum depth 10 feet below original grade. Effective area begins at 8.5 feet below original grade. At least 4 feet of stone below distribution pipe.
LOCATION:	Location to be determined at time of installation. Must work around existing trench.
PURPOSE:	Existing drywell has limited additional life expectancy.

PLANS APPROVED: B. Baker DATE: 12/18/2006

NOTE: PERMIT VOID AFTER 2 YEARS

NOTE: CONTRACTOR RESPONSIBLE FOR SCHEDULING A PRE-CONSTRUCTION INSPECTION FOR ALL INSTALLATIONS

NOTE: WATERTIGHT SEPTIC TANKS REQUIRED

NOTE: ALL PARTS OF SEPTIC SYSTEM SHALL BE 100 FEET FROM ANY WATER WELL

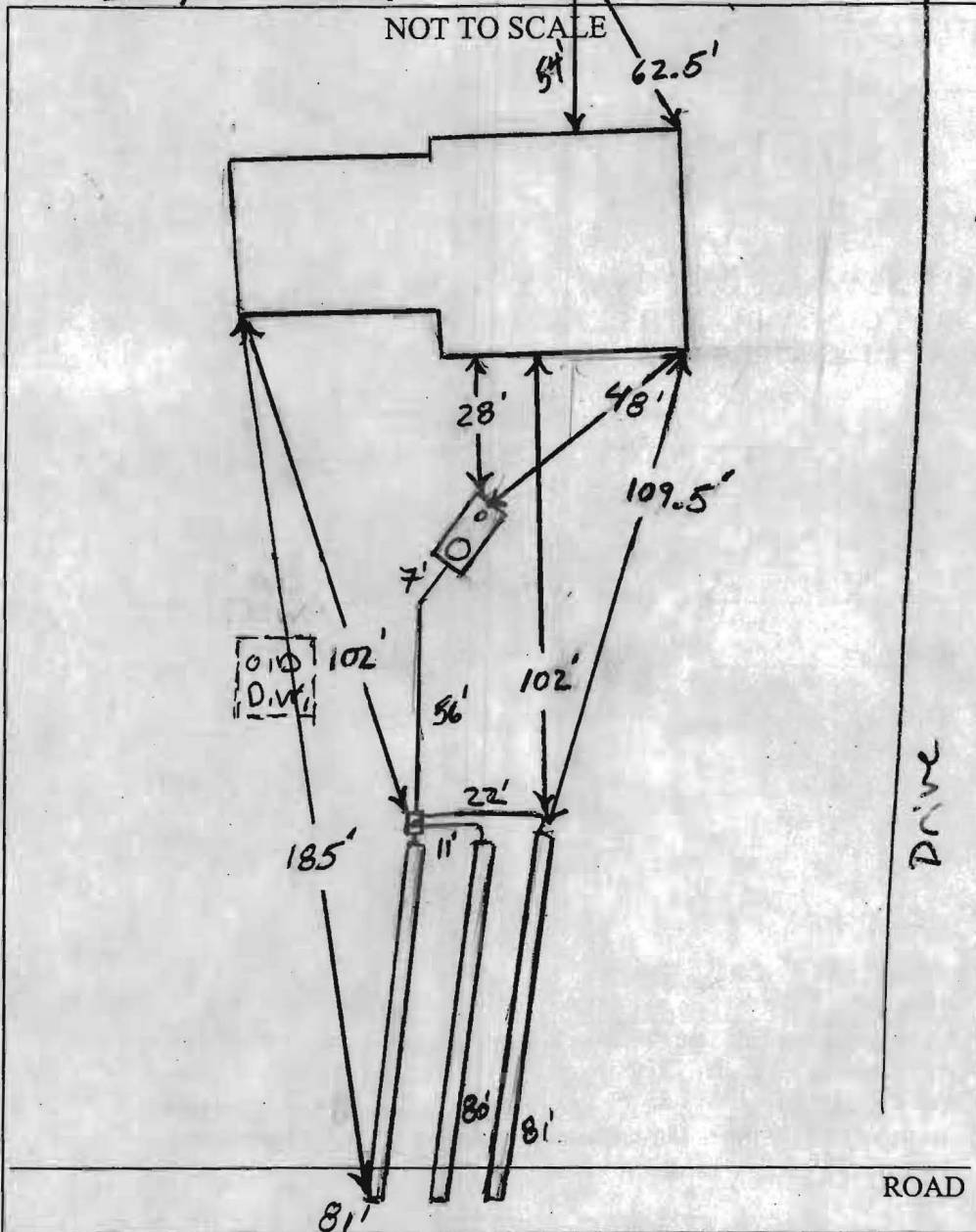
NOTE: MANHOLE RISERS REQUIRED ON ALL SEPTIC TANKS AND PUMP CHAMBERS

**NEITHER THE HOWARD COUNTY COUNCIL OR THE HEALTH DEPARTMENT IS
RESPONSIBLE FOR THE SUCCESSFUL OPERATION OF ANY SYSTEM
PERMITTEE RESPONSIBLE FOR OBTAINING FINAL APPROVAL ON THIS PERMIT
CALL 410-313-2640 FOR INSPECTION OF SEPTIC SYSTEM**

Bushy Park Rd

Ex Well - No Tag

NOT TO SCALE



TRENCH/DRAINFIELD DATA		
WIDTH	INLET	BOTTOM
2'	4'	10'
NUMBER OF TRENCHES		3
TOTAL LENGTH		241'
ABSORPTION AREA		486 sqw
DISTRIBUTION BOX LEVEL		Yes
DISTRIBUTION BOX BAFFLE		Yes
DISTRIBUTION BOX PORT		Yes

SEPTIC TANK DATA	
SEPTIC TANK 1 LEVEL	2'
CAPACITY	1250 GAL
SEAM LOC	mid-seam
TANK LID DEPTH	3'?
BAFFLES	Yes/Rear
BAFFLE FILTER	—
MANHOLE LOC	Rear
6" PORT LOC	Front
WATERTIGHT TEST	—
SEPTIC TANK 2 LEVEL	—
CAPACITY	— GAL
SEAM LOC	—
TANK LID DEPTH	—
BAFFLES	—
BAFFLE FILTER	—
MANHOLE LOC	—
6" PORT LOC	—
WATERTIGHT TEST	—

PRE-CONSTRUCTION _____

INSTALLATION 12/29/06 System ok. Contractor brought stone up to 4' below grade. Dry well pumped and collapsed. OK to cover. (KW)

FINAL INSPECTOR

K. Wall

DATE OF APPROVAL

12/29/06