

PUB. SEWER STATUS VERIFIED BY _____

ISSUE DATE: 02/20/07

APPROVAL DATE: 3/28/07

PERMIT

INDEXED

Tax ID # 04-335163

P 32

A REPAIR . 526243

ON-SITE SEWAGE DISPOSAL SYSTEM HOWARD COUNTY HEALTH DEPARTMENT BUREAU OF ENVIRONMENTAL HEALTH

WRF & Son Plumbing & Heating IS PERMITTED TO INSTALL ALTER

ADDRESS: 15 North Main Street PHONE NUMBER: 301-829-1711

SUBDIVISION: Stout LOT NUMBER: 3

ADDRESS: 15802 Old Frederick Road PROPERTY OWNER: Donna McGraw

SEPTIC TANK CAPACITY (GALLONS): 1500 - 2 Compartment, Top Seam

PUMP CHAMBER CAPACITY (GALLONS): 2 Manholes Trenches 3' Wide

NUMBER OF BEDROOMS: 3

SQUARE FEET PER BEDROOM: _____

LINEAR FEET OF TRENCH REQUIRED: 133

Inlet 2.5'
Bottom 4'
1.5' of Stone Below Pipe

TRENCHES:	Trench to be _____ feet wide. Inlet _____ feet below original grade. Bottom maximum depth _____ feet below original grade. Effective area begins at _____ feet below original grade. _____ feet of stone below distribution pipe.
LOCATION:	<u>Pump out and fill in Black Tank and Drywell</u>
PURPOSE:	Existing septic system has failed. Call for inspection when ground is opened so sanitarian can recommend repair.

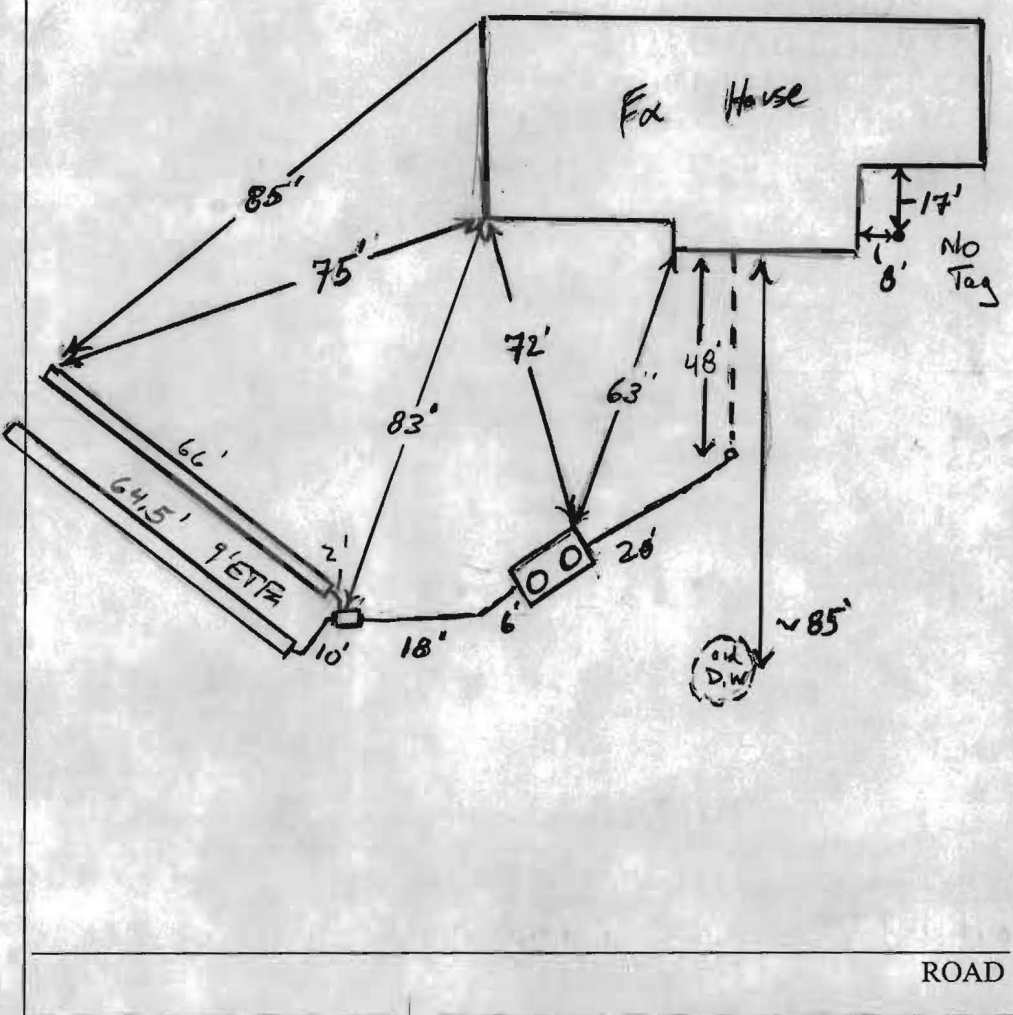
PLANS APPROVED: _____ DATE: _____

- NOTE: PERMIT VOID AFTER 2 YEARS
- NOTE: CONTRACTOR RESPONSIBLE FOR SCHEDULING A PRE-CONSTRUCTION INSPECTION FOR ALL INSTALLATIONS
- NOTE: WATERTIGHT SEPTIC TANKS REQUIRED
- NOTE: ALL PARTS OF SEPTIC SYSTEM SHALL BE 100 FEET FROM ANY WATER WELL
- NOTE: MANHOLE RISERS REQUIRED ON ALL SEPTIC TANKS AND PUMP CHAMBERS

NEITHER THE HOWARD COUNTY COUNCIL OR THE HEALTH DEPARTMENT IS RESPONSIBLE FOR THE SUCCESSFUL OPERATION OF ANY SYSTEM PERMITTEE RESPONSIBLE FOR OBTAINING FINAL APPROVAL ON THIS PERMIT CALL 410-313-2640 FOR INSPECTION OF SEPTIC SYSTEM

A526243

NOT TO SCALE



TRENCH/DRAINFIELD DATA		
WIDTH	INLET	BOTTOM
3'	2-3'	4'
NUMBER OF TRENCHES		2
TOTAL LENGTH		131
ABSORPTION AREA		393±SW
DISTRIBUTION BOX LEVEL		Yes
DISTRIBUTION BOX BAFFLE		Yes
DISTRIBUTION BOX PORT		NO

SEPTIC TANK DATA		
SEPTIC TANK 1 LEVEL	Yes	
CAPACITY	1500	GAL
SEAM LOC	Top	
TANK LID DEPTH	2'	
BAFFLES	Yes 6" F	
BAFFLE FILTER	—	
MANHOLE LOC	Front/Rear	
6" PORT LOC	—	
WATERTIGHT TEST	—	
SEPTIC TANK 2 LEVEL	—	
CAPACITY	— GAL	
SEAM LOC	—	
TANK LID DEPTH	—	
BAFFLES	—	
BAFFLE FILTER	—	
MANHOLE LOC	—	
6" PORT LOC	—	
WATERTIGHT TEST	—	

Babylol
2 comp
sloped

PRE-CONSTRUCTION 3/22/07 Install 2 or 3 trenches on contour in vicinity of test hole (B). Need to pump out and fill in block tank and drywell. Install new 1500 gallon 2 compartment tank. (BB) 3/27/07 Tank set. No hook-up yet. D box set top trench installed. sloped No fabric (KW) 3/28/07 Bottom trench installed. Baffles in tank. Drywell pumped and collapsed. OK to lower (KW)

FINAL INSPECTOR K. Wolf DATE OF APPROVAL 3/20/07