

PUB. SEWER STATUS VERIFIED BY _____

ISSUE DATE: 07/26/07

P 527271

APPROVAL DATE: 8/9/2007

PERMIT

Logged Into Permit Manager
Tax ID # 03-282724

A REPAIR

ON-SITE SEWAGE DISPOSAL SYSTEM HOWARD COUNTY HEALTH DEPARTMENT BUREAU OF ENVIRONMENTAL HEALTH

Jenkins Brothers Septic Service, Inc. IS PERMITTED TO INSTALL ALTER

ADDRESS: 7670 Smiths Private Road, Sykesville PHONE NUMBER: 410-781-7133

SUBDIVISION: Heritage Farms LOT NUMBER: 1

ADDRESS: 12643 Howard Lodge Road PROPERTY OWNER: O'Connell

SEPTIC TANK CAPACITY (GALLONS): _____ *Trenches 2' Wide*

PUMP CHAMBER CAPACITY (GALLONS): _____ *Inlet 4.5'*

NUMBER OF BEDROOMS: 4 *Bottom 8'*

SQUARE FEET PER BEDROOM: _____ *Pump Out and Fill*

LINEAR FEET OF TRENCH REQUIRED: 100' *In 2 Trenches*

TRENCHES:	Trench to be _____ feet wide. Inlet _____ feet below original grade. Bottom maximum depth _____ feet below original grade. Effective area begins at _____ feet below original grade. _____ feet of stone below distribution pipe.
LOCATION:	<i>Install 2 Trenches on Contour Downhill of the Tank and Near the Perc. Test Hole (A)</i>
PURPOSE:	Existing septic system has failed. Call for inspection when ground is opened so sanitarian can recommend repair.

PLANS APPROVED: B. Baker DATE: 8/1/07

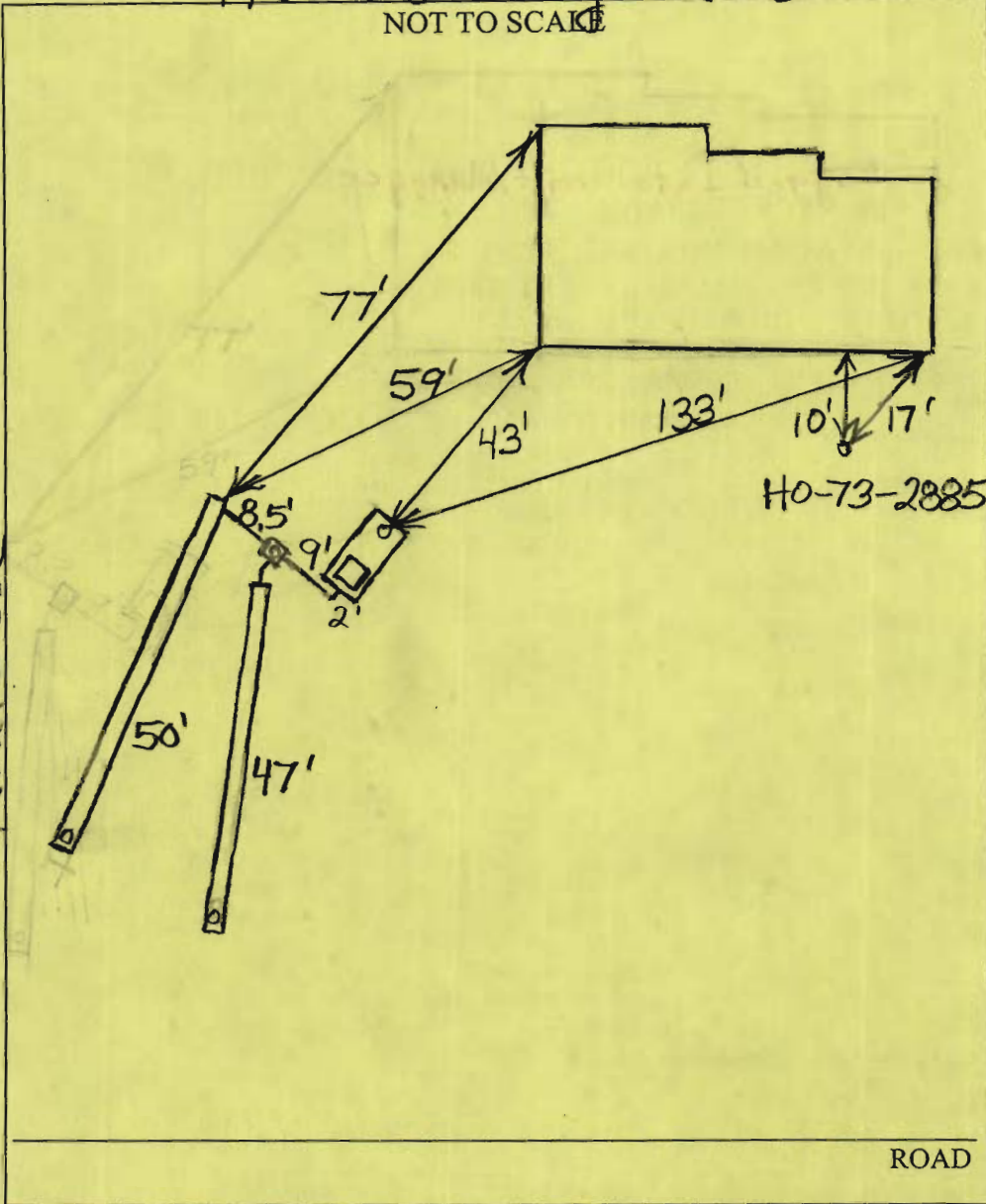
- NOTE: PERMIT VOID AFTER 2 YEARS
- NOTE: CONTRACTOR RESPONSIBLE FOR SCHEDULING A PRE-CONSTRUCTION INSPECTION FOR ALL INSTALLATIONS
- NOTE: WATERTIGHT SEPTIC TANKS REQUIRED
- NOTE: ALL PARTS OF SEPTIC SYSTEM SHALL BE 100 FEET FROM ANY WATER WELL
- NOTE: MANHOLE RISERS REQUIRED ON ALL SEPTIC TANKS AND PUMP CHAMBERS

NEITHER THE HOWARD COUNTY COUNCIL OR THE HEALTH DEPARTMENT IS RESPONSIBLE FOR THE SUCCESSFUL OPERATION OF ANY SYSTEM PERMITTEE RESPONSIBLE FOR OBTAINING FINAL APPROVAL ON THIS PERMIT CALL 410-313-2640 FOR INSPECTION OF SEPTIC SYSTEM

Howard Lodge Road

NOT TO SCALE

Route 32



TRENCH/DRAINFIELD DATA		
WIDTH	INLET	BOTTOM
2'	3.5'-4'	8'
NUMBER OF TRENCHES		2
TOTAL LENGTH		97'
ABSORPTION AREA		388
DISTRIBUTION BOX LEVEL		Levelers
DISTRIBUTION BOX BAFFLE		Yes
DISTRIBUTION BOX PORT		Yes

SEPTIC TANK DATA	
SEPTIC TANK 1 LEVEL	_____
CAPACITY	_____ GAL
SEAM LOC	Midseam
TANK LID DEPTH	1.5'
BAFFLES	Yes
BAFFLE FILTER	No
MANHOLE LOC	Rear
6" PORT LOC	Front
WATERTIGHT TEST	No
SEPTIC TANK 2 LEVEL	N/A
CAPACITY	_____ GAL
SEAM LOC	_____
TANK LID DEPTH	_____
BAFFLES	_____
BAFFLE FILTER	_____
MANHOLE LOC	_____
6" PORT LOC	_____
WATERTIGHT TEST	_____

PRE-CONSTRUCTION 8/1/07 I install 2 trenches that total 100' downhill of the septic tank and near test hole A.

INSTALLATION Pump out and fill in drywell. (BB)

8/9/07 System installed, Trenches somewhat off contour but O.K. Drywell pumped out and filled in. (BB)

FINAL INSPECTOR B. Baker DATE OF APPROVAL 8/9/2007