

PUB. SEWER STATUS VERIFIED BY mlb

ISSUE DATE: 1/3/05

P 521636-B

PERMIT

APPROVAL DATE: 2/4/05

A REPAIR

ON-SITE SEWAGE DISPOSAL SYSTEM HOWARD COUNTY HEALTH DEPARTMENT BUREAU OF ENVIRONMENTAL HEALTH

Hatfield's Equipment IS PERMITTED TO INSTALL ALTER

ADDRESS: 13785 Burntwoods Road, Glenelg 21737 PHONE NUMBER: 410-531-6773

SUBDIVISION: Driver Property LOT NUMBER: 4

ADDRESS: 1354 Driver Road PROPERTY OWNER: Robert Boyd

SEPTIC TANK CAPACITY (GALLONS): EX 1250

PUMP CHAMBER CAPACITY (GALLONS): NA

NUMBER OF BEDROOMS: 4

SQUARE FEET PER BEDROOM: 180

LINEAR FEET OF TRENCH REQUIRED: 158

INDEXED

TRENCHES:	Trench to be <u>2</u> feet wide. Inlet <u>6</u> feet below original grade. Bottom maximum depth <u>10</u> feet below original grade. Effective area begins at <u>7</u> feet below original grade. <u>4</u> feet of stone below distribution pipe.
LOCATION:	<u>Fill D.W. w/ stone</u> <u>Speed leveler to D.W. turned up</u>
PURPOSE:	Existing septic system has failed. Call for inspection when ground is opened so sanitarian can recommend repair.

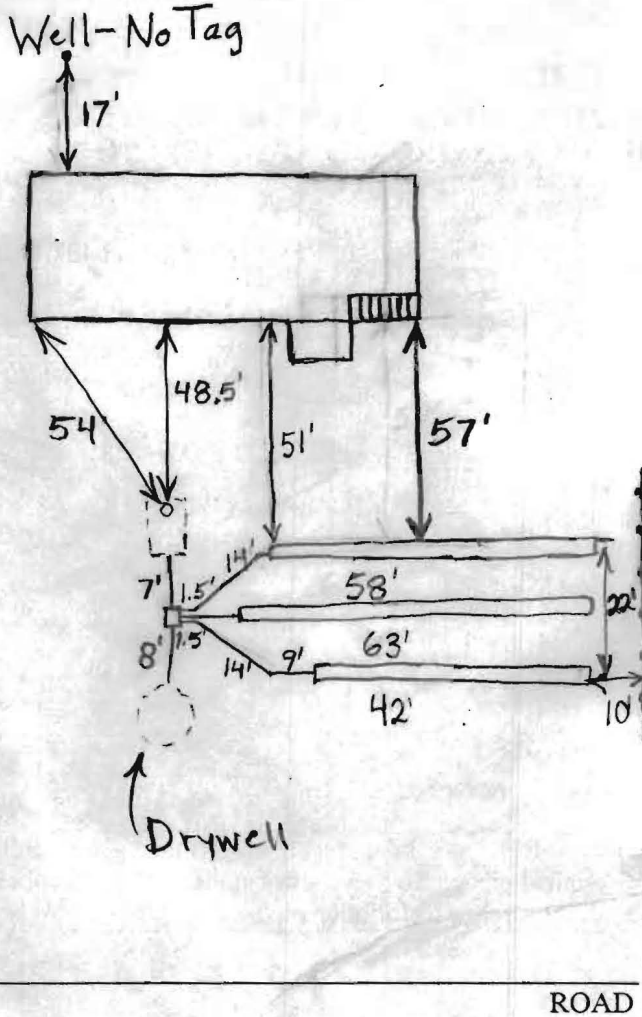
PLANS APPROVED: [Signature] DATE: 2/3/05

- NOTE: PERMIT VOID AFTER 2 YEARS
- NOTE: CONTRACTOR RESPONSIBLE FOR SCHEDULING A PRE-CONSTRUCTION INSPECTION FOR ALL INSTALLATIONS
- NOTE: WATERTIGHT SEPTIC TANKS REQUIRED
- NOTE: ALL PARTS OF SEPTIC SYSTEM SHALL BE 100 FEET FROM ANY WATER WELL
- NOTE: MANHOLE RISERS REQUIRED ON ALL SEPTIC TANKS AND PUMP CHAMBERS

NEITHER THE HOWARD COUNTY COUNCIL OR THE HEALTH DEPARTMENT IS RESPONSIBLE FOR THE SUCCESSFUL OPERATION OF ANY SYSTEM PERMITTEE RESPONSIBLE FOR OBTAINING FINAL APPROVAL ON THIS PERMIT CALL 410-313-2640 FOR INSPECTION OF SEPTIC SYSTEM

P 5 2 1 6 3 6 - B

NOT TO SCALE



TRENCH/DRAINFIELD DATA		
WIDTH	INLET	BOTTOM
2'	6'	10'
NUMBER OF TRENCHES		3
TOTAL LENGTH		163'
ABSORPTION AREA		489 sq. ft.
DISTRIBUTION BOX LEVEL		Levelers
DISTRIBUTION BOX BAFFLE		Yes
DISTRIBUTION BOX PORT		No

SEPTIC TANK DATA	
SEPTIC TANK 1 LEVEL	
CAPACITY	1250? GAL
SEAM LOC	
TANK LID DEPTH	2.5'-3'
BAFFLES	
BAFFLE FILTER	No
MANHOLE LOC	None
6" PORT LOC	Front
WATERTIGHT TEST	No
SEPTIC TANK 2 LEVEL N/A	
CAPACITY	
SEAM LOC	
TANK LID DEPTH	
BAFFLES	
BAFFLE FILTER	
MANHOLE LOC	
6" PORT LOC	
WATERTIGHT TEST	

PRE-CONSTRUCTION

INSTALLATION 2/4/05 Trenches installed as per Stuarts instructions. Drywell filled with gravel per Hatfields. Leveler turned upward to limit usage of drywell until trenches start failing. O.K. to cover everything. (BB)

FINAL INSPECTOR B. Baker

DATE OF APPROVAL 2/4/05