

LAYOUT 2/12/07 INSP 4 3/23/07
INSP 2 3/15/07 INSP 5 _____
INSP 3 3/21/07 INSP 6 _____

ISSUE DATE: 02/02/07

P 526218

APPROVAL DATE: 3/23/07

PERMIT
Logged Into Permit Manager
TAX ID # **03-342379**

A 515958-B

**ON-SITE SEWAGE DISPOSAL SYSTEM
HOWARD COUNTY HEALTH DEPARTMENT
BUREAU OF ENVIRONMENTAL HEALTH**

Rylea Homes, Inc. IS PERMITTED TO INSTALL ALTER

ADDRESS: PO Box 68, Glenwood, MD 21738 PHONE NUMBER: _____

SUBDIVISION: Foxtail Run LOT NUMBER: 6

ADDRESS: 13720 Greyfox Run PROPERTY OWNER: Rylea Homes

SEPTIC TANK CAPACITY (GALLONS): 1250 ¹⁵⁰⁰ OUTLET BAFFLE FILTER REQUIRED

PUMP CHAMBER CAPACITY (GALLONS): N/A COMPARTMENTED TANK REQUIRED

NUMBER OF BEDROOMS: 4

SQUARE FEET PER BEDROOM: 180

LINEAR FEET OF TRENCH REQUIRED: 118

TRENCHES:	Trench to be 3.0 feet wide. Inlet 3.0 feet below original grade. Bottom maximum depth 5.0 feet below original grade. Effective area begins at 3.5 feet below original grade. 2.0 feet of stone below distribution pipe.
LOCATION:	Distribution box to be located outside of sewage disposal area.
NOTES:	

PLANS APPROVED: Ashley Trump/Sara Fegel DATE: 12/28/06

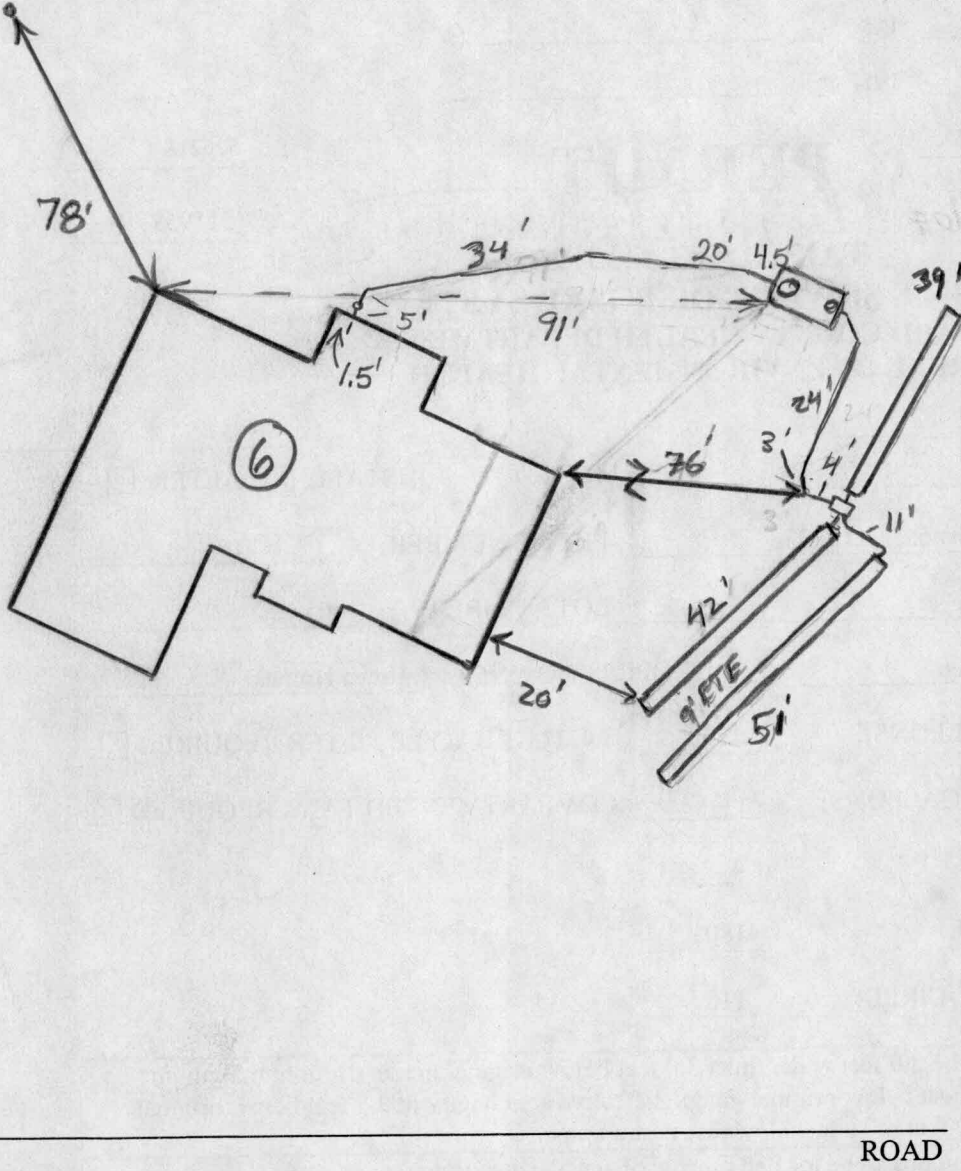
- NOTE: PERMIT VOID AFTER 2 YEARS
- NOTE: CONTRACTOR RESPONSIBLE FOR SCHEDULING A PRE-CONSTRUCTION INSPECTION FOR ALL INSTALLATIONS
- NOTE: WATERTIGHT SEPTIC TANKS REQUIRED
- NOTE: ALL PARTS OF SEPTIC SYSTEM SHALL BE 100 FEET FROM ANY WATER WELL
- NOTE: MANHOLE RISERS REQUIRED ON ALL SEPTIC TANKS AND PUMP CHAMBERS UNLESS SPECIFICALLY AUTHORIZED

**NEITHER THE HOWARD COUNTY COUNCIL NOR THE HEALTH DEPARTMENT IS
RESPONSIBLE FOR THE SUCCESSFUL OPERATION OF ANY SYSTEM
PERMITTEE RESPONSIBLE FOR OBTAINING FINAL APPROVAL ON THIS PERMIT
CALL 410-313-1771 FOR INSPECTION OF SEPTIC SYSTEM**

A 515958-

HO-94-3808

NOT TO SCALE



TRENCH/DRAINFIELD DATA		
WIDTH	INLET	BOTTOM
<u>3'</u>	<u>3'</u>	<u>5'</u>
NUMBER OF TRENCHES		<u>3</u>
TOTAL LENGTH _____		
ABSORPTION AREA _____		
DISTRIBUTION BOX LEVEL <u>Level</u>		
DISTRIBUTION BOX BAFFLE <u>Yes</u>		
DISTRIBUTION BOX PORT <u>NO</u>		

SEPTIC TANK DATA	
SEPTIC TANK 1 LEVEL	<u>Yes</u>
CAPACITY	<u>1500</u> GAL
SEAM LOC	<u>Top</u>
2-Comp. TANK LID DEPTH	<u>0'-1'</u>
Babylon BAFFLES	<u>Yes</u>
BAFFLE FILTER	<u>—</u>
MANHOLE LOC	<u>Front</u>
6" PORT LOC	<u>Rear</u>
WATERTIGHT TEST	<u>No</u>
SEPTIC TANK 2 LEVEL	<u>N/A</u>
CAPACITY	_____ GAL
SEAM LOC	_____
TANK LID DEPTH	_____
BAFFLES	_____
BAFFLE FILTER	_____
MANHOLE LOC	_____
6" PORT LOC	_____
WATERTIGHT TEST	_____

PRE-CONSTRUCTION 2/12/07. SRA not staked. No layout given.
 Informed contractor about 6" Baffle on inlet of S.T. (Ku)
 INSTALLATION 3/15/07 Set the distribution box and trenches as drawn on the building permit plan. I install 2-35' trenches and 1-50' trench (BB) 3/21/07 Plumbing from house to Tank installed. No trenches started. (Ku)
3/23/07. System complete. OK to backfill (Ku)

FINAL INSPECTOR Jh. Valf DATE OF APPROVAL 3/23/07