

LAYOUT 7/11/2011 INSP 4 _____
INSP 2 7/12/2011 INSP 5 _____
INSP 3 7/13/2011 INSP 6 _____

ISSUE DATE: 7-7-11

APPROVAL DATE: 7/19/2011

PERMIT

P 535286

A _____

4372360

ON-SITE SEWAGE DISPOSAL SYSTEM HOWARD COUNTY HEALTH DEPARTMENT BUREAU OF ENVIRONMENTAL HEALTH

Fogel's Septic Clean Inc

IS PERMITTED TO INSTALL ALTER

ADDRESS: 500 Obrecht Rd, Burksville MD PHONE NUMBER: 410-795-5670

SUBDIVISION: Edgewood Farm 21784 LOT NUMBER: 11

ADDRESS: 14609 Corys Court PROPERTY OWNER: _____

SEPTIC TANK CAPACITY (GALLONS): 2000 OUTLET BAFFLE FILTER REQUIRED

PUMP CHAMBER CAPACITY (GALLONS): N/A COMPARTMENTED TANK REQUIRED

NUMBER OF BEDROOMS: 4 Trenches 2' Wide
Inlet 5', Bottom 9'

SQUARE FEET PER BEDROOM: _____ 55', 70' + 85' Trenches

LINEAR FEET OF TRENCH REQUIRED: 210'

TRENCHES:	Trench to be _____ feet wide. Inlet _____ feet below original grade. Bottom maximum depth _____ feet below original grade. Effective area begins at _____ feet below original grade. _____ feet of stone below distribution pipe.
LOCATION:	
NOTES:	

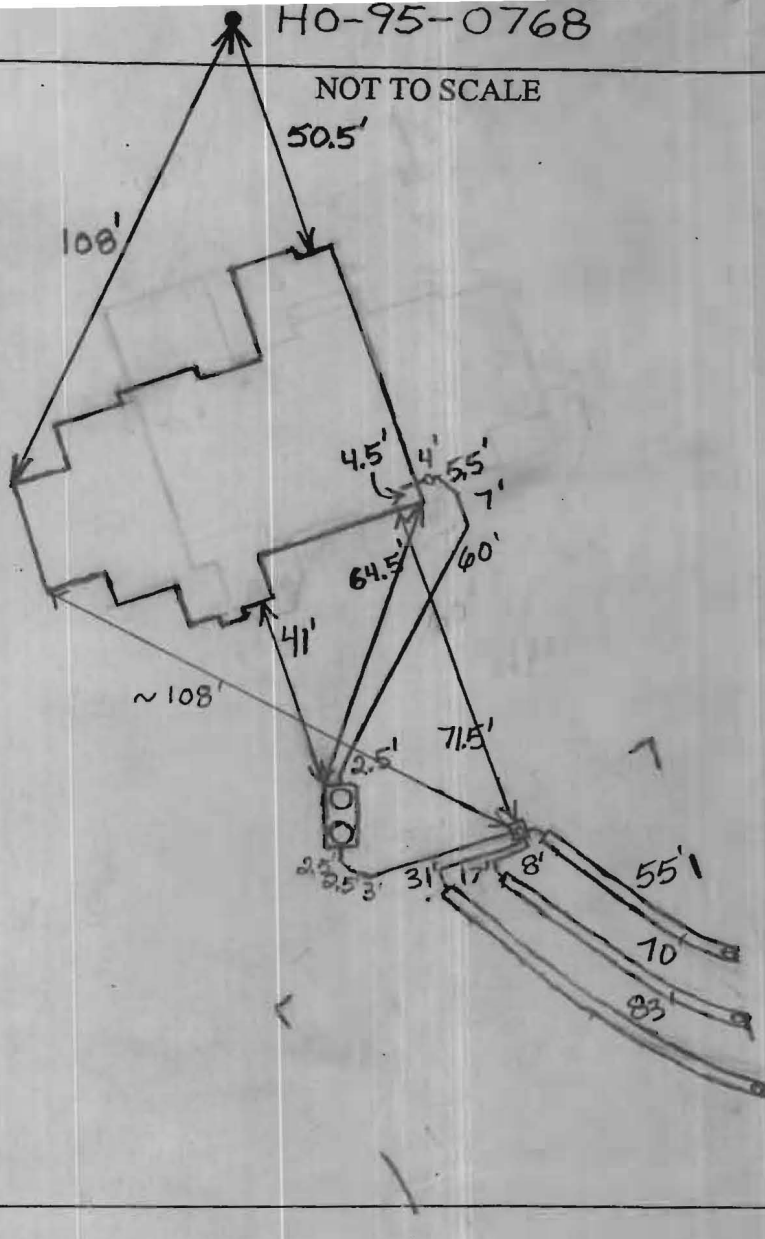
PLANS APPROVED: _____ DATE: _____

- NOTE: PERMIT VOID AFTER 2 YEARS
- NOTE: CONTRACTOR RESPONSIBLE FOR SCHEDULING A PRE-CONSTRUCTION INSPECTION FOR ALL INSTALLATIONS
- NOTE: WATERTIGHT SEPTIC TANKS REQUIRED
- NOTE: ALL PARTS OF SEPTIC SYSTEM SHALL BE 100 FEET FROM ANY WATER WELL
- NOTE: MANHOLE RISERS REQUIRED ON ALL SEPTIC TANKS AND PUMP CHAMBERS UNLESS SPECIFICALLY AUTHORIZED

NEITHER THE HOWARD COUNTY COUNCIL NOR THE HEALTH DEPARTMENT IS RESPONSIBLE FOR THE SUCCESSFUL OPERATION OF ANY SYSTEM PERMITTEE RESPONSIBLE FOR OBTAINING FINAL APPROVAL ON THIS PERMIT CALL 410-313-2640 FOR INSPECTION OF SEPTIC SYSTEM

NOT TO SCALE

(40)



TRENCH/DRAINFIELD DATA		
WIDTH	INLET	BOTTOM
2'	5'-6'	9'-10.5'
NUMBER OF TRENCHES		3
TOTAL LENGTH		208'
ABSORPTION AREA		416+
DISTRIBUTION BOX LEVEL		Levelers
DISTRIBUTION BOX BAFFLE		Yes
DISTRIBUTION BOX PORT		Yes

SEPTIC TANK DATA	
SEPTIC TANK 1 LEVEL	Yes
CAPACITY	2000 GAL
SEAM LOC	Top
TANK LID DEPTH	2'-2.5'
BAFFLES	Yes
BAFFLE FILTER	No
MANHOLE LOC	Front+Rear
6" PORT LOC	None
WATERTIGHT TEST	No
SEPTIC TANK 2 LEVEL	N/A
CAPACITY	GAL
SEAM LOC	
TANK LID DEPTH	
BAFFLES	
BAFFLE FILTER	
MANHOLE LOC	
6" PORT LOC	
WATERTIGHT TEST	

PRE-CONSTRUCTION 7/11 Laid out the trenches. Don't think that we can get basement gravity service to upper part of installation septic easement. Line coming out of house under footer. Pumped system probably required. (BB) 7/12/2011 Installer said her will be able to get to top of easement with a 5' trench inlet. Although only has a few inches to spare with minimum fall. Tank will need to be set in the middle of the back yard. Builder said that homeowners didn't want a pool, etc. (BB) 7/13/2011 Tank set. House connection done. (BB) 7/19/2011 System finished. Installer wasn't able to make the 5' inlet on the top trench. O.K. to backfill. (BB)

INSPECTOR B. Baker DATE OF APPROVAL 7/19/2011