

8/21/97  
3:30

# PERMIT

## SEWAGE DISPOSAL SYSTEM

### DEPARTMENT OF HEALTH AND MENTAL HYGIENE

05-376971

#### HOWARD COUNTY HEALTH DEPARTMENT

BUREAU OF ENVIRONMENTAL HEALTH  
461-8933 313-2640

### INDEXED

P 58944

A REPAIR

DISTRICT \_\_\_\_\_

DATE 8/22/97

DATE SYSTEM APPROVED 8/21/97

INSPECTOR DKS/au

Jack Fyock Septic Service IS PERMITTED TO INSTALL \_\_\_\_\_ ALTER X

ADDRESS 4105 Ten Oaks Road Glenelg, MD 21737 PHONE (410) 988-9270

SUBDIVISION White Oak Estates LOT 14 ROAD 6830 Santa Maria Avenue

PROPERTY OWNER Howard

ADDRESS \_\_\_\_\_

SEPTIC TANK CAPACITY 1250 GALLONS

NUMBER OF BEDROOMS 4

125 SQUARE FEET PER BEDROOM

LINEAR FEET OF TRENCH REQUIRED 84' ±

REPAIR - PURPOSE - Septic system has failed.  
Call for inspection when ground is opened so sanitarian can recommend repair. 08/15/97

Existing drywell and trench to be maintained - repair trench w/ dist. box to be installed off drywell in septic area. Trench to be 2' wide, inlet 4', bottom 10', stone 6'.

PLANS APPROVED BY Douglas Jee DATE 8/21/97

COVER NO WORK UNTIL INSPECTED AND APPROVED

NEITHER THE HOWARD COUNTY COUNCIL NOR THE HEALTH DEPARTMENT IS RESPONSIBLE FOR THE SUCCESSFUL OPERATION OF ANY SYSTEM

NOTE: CLEANOUT REQUIRED EVERY 70 FEET OF SEWER LINE AND/OR AT 90° SWEEPS IN LINES FROM HOUSE TO DRAIN FIELDS, 90° ELBOWS NOT ACCEPTABLE.

NOTE: ALL PARTS OF SEPTIC SYSTEMS (I.E. TANK, DISTRIBUTION BOX TRENCHES) TO BE 100 FEET FROM WELL (UNLESS OTHERWISE SPECIFICALLY AUTHORIZED)

NOTE: IF DEEP TRENCH(ES) ARE USED CALL FOR INSPECTION BEFORE AND AFTER PLACING GRAVEL IN TRENCH(ES)

NOTE: NO DRY WELL SHALL EXCEED 15 FOOT IN DIAMETER NO ABSORPTION TRENCH TO EXCEED 100 FEET IN LENGTH

NOTE: ALL PIPE FROM HOUSE TO SEPTIC TANK MUST BE CAST IRON OR SCHEDULE 35/40 PVC OR ABS

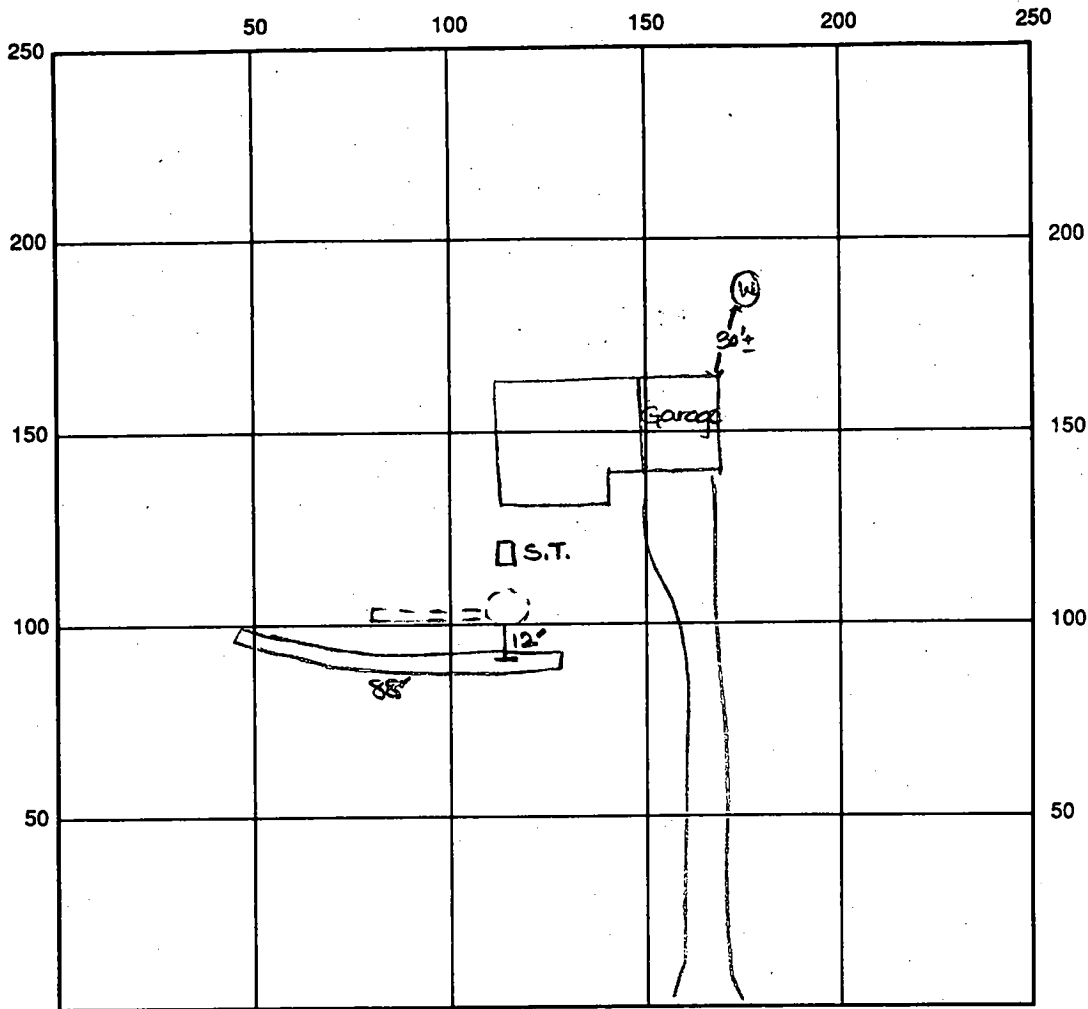
PERMIT VOID AFTER TWO YEARS

NOTE: INSTALL STAND PIPE ON SEPTIC TANK AND DRY WELL STAND PIPES MUST BE 6 INCHES IN DIAMETER CAST IRON. CONCRETE OR TERRA COTTA OR PVA OR ABS ACCEPTED. IF TOP OF SEPTIC TANK IS DEEPER THAN 3 FEET. MANHOLE TO GRADE REQUIRED.

NOTE: DISTRIBUTION BOXES MUST HAVE BAFFLES

**\*INSTALLER IS RESPONSIBLE FOR OBTAINING FINAL APPROVAL ON THIS PERMIT**

P 58944



INDICATE NORTH - NAME ADJOINING ROADWAY AS BASE LINE

Santa Maria Ave.

SEPTIC TANK LEVEL Existing CLEANOUTS one on s.t., one on d.w.

DISTRIBUTION BOX LEVEL N/A

DRAIN FIELD/TITLE DEPTH 10 FT. TRENCH WIDTH 2 FT. INLET DEPTH 3.5 FT.

EFFECTIVE GRAVEL DEPTH 6.5 FT. TOTAL LENGTH 88 FT.

NUMBER OF TRENCHES 1 ONE SIDEWALL/BOTTOM AREA 572 SQ. FT.

DRYWALL INSIDE DIAMETER Exist. FT. EFFECTIVE DEPTH BELOW INLET Ex FT.

ABSORBENT AREA 572 SQ. FT. + Ex.

REMARKS: 8/21/97 OK TO START WORK AS SPECIFIED. DKS

8/21/97 FINAL INSP - OK TO COVER ALL WORK. DKS

DATE SYSTEM APPROVED 8/21/97

INSPECTOR [Signature]

# PERMIT

SEWAGE DISPOSAL SYSTEM

MARYLAND STATE DEPARTMENT OF HEALTH

HOWARD COUNTY

## INDEXED

ELLICOTT CITY

DISTRICT 5

DATE 3/8/76

22922

~~20520~~

A 20520

*File*

Jack Pvoch IS PERMITTED TO INSTALL X ALTER

ADDRESS Ten Oaks Road, Dayton, Maryland PHONE 286-2939

A SEWAGE DISPOSAL SYSTEM LOCATED AT \_\_\_\_\_

SUBDIVISION White Oaks Estates ROAD Unnamed LOT 14, Sec. 1

PROPERTY OWNER David Payne, Builder

ADDRESS \_\_\_\_\_

SPECIFICATIONS - 4 bedrooms

DRAIN FIELD \_\_\_\_\_ DEPTH \_\_\_\_\_ FEET, BOTTOM AREA \_\_\_\_\_ SQ. FT.

SEEPAGE PITS \_\_\_\_\_ ABSORBENT SIDEWALL AREA \_\_\_\_\_ SQ. FT.

SEPTIC TANK CAPACITY 1,250 GALLONS

FOR GARBAGE GRINDER, INCREASE DISPOSAL AREA AND TANK CAPACITY 50%.

OTHER Dry well to have 135 sq. ft. effective absorbent sidewall area per bedrock below the first 5 ft. of original soil. Inlet can come in at 4 ft. and maximum depth 12 ft. below original soil. Location: 85 ft. from right property line and 95 ft. from unnamed road when facing lot from unnamed road. (Perc hole 1 & 1A).

NOTE: ALL PIPE FROM HOUSE TO DISPOSAL AREA MUST BE CAST IRON.

PERMIT VOID AFTER THREE YEARS.

NOTE: INSTALL STAND PIPE ON SEPTIC TANK AND DRY WELL. STAND PIPE MUST BE 6" IN DIA.,

PLANS APPROVED BY C. B. Streaker/H. J. Zbar DATE 7/11/75

CAST IRON, CONCRETE OR TERRA COTTA ACCEPTED.

FILL SEPTIC TANK AND DISTRIBUTION BOX WITH WATER BEFORE CALLING FOR AN INSPECTION. COVER AND WORK UNTIL INSPECTED AND APPROVED.

NEITHER THE HOWARD COUNTY COMMISSIONERS NOR THE HEALTH DEPARTMENT IS RESPONSIBLE FOR THE SUCCESSFUL OPERATION OF ANY SYSTEM.

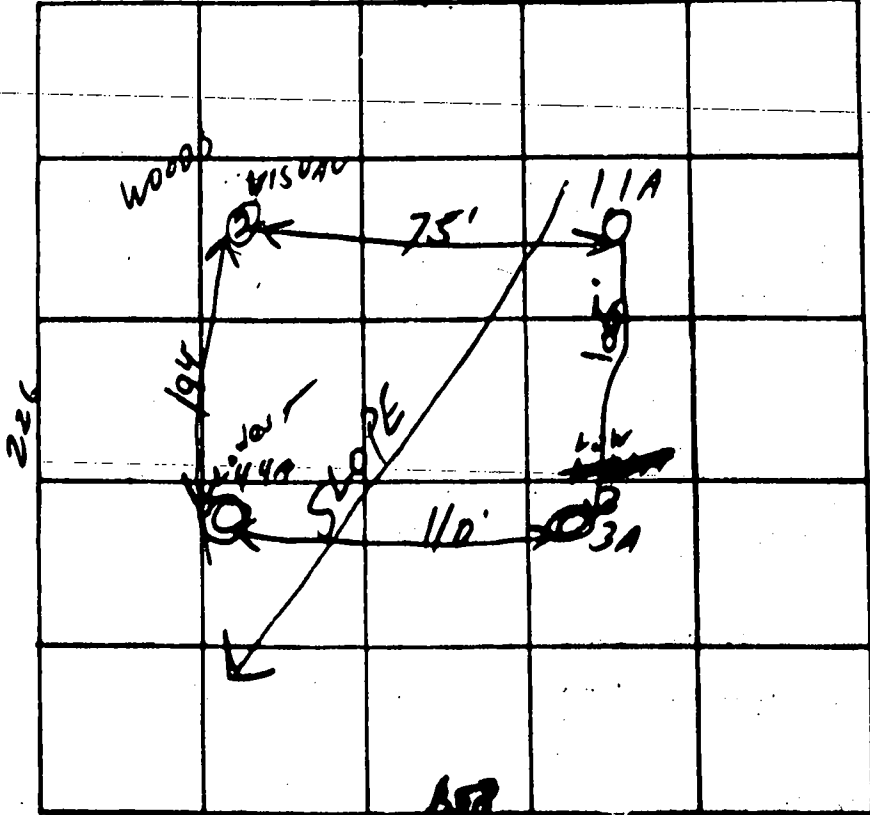
*11x11x11 35' long 1 ft stone  
1 ft 10" hole 2 ft long  
block*

A 20520



158

20520



W. Oak Est.  
Lot 14

INDICATE NORTH - NAME ADJOINING ROADWAY AS BASE LINE

Unnamed Road

DATE	TEST NO.	DEPTH	PRE-WET		TEST - 1" DROP		TIME
			START	STOP	START	STOP	
	1	13'	327	330	330	335	5
	<del>1A</del>	4'	<del>327</del>	<del>NO</del>	<del>PERK</del>	<del>---</del>	<del>---</del>
	2	12'	VISUAL		Sandy silt		
	3	14'	330	350	350	405	15
	3A	5'	330	333	333	336	3
	4	4 1/2'	345	348	348	352	4
	4B	5'	342	346	346	350	6
	4A	12'	345	350	350	400	10

over fill?  
9  
minutes  
avg  
4' mbt

REMARKS category all holes

TYPE OF SOIL sandy soil (silt & clay) (4 & 4A)

TESTED BY WV J - CBS ALSO PRESENT Butterfield

C 1 3818

WATER RESOURCES ADMINISTRATION  
TAVES STATE OFFICE BLDG., ANNAPOLIS, MD. 21401  
WELL COMPLETION REPORT

COUNTY NUMBER 20520

DATE RECEIVED (FOR USE ONLY)  
DATE WELL COMPLETED Oct 29, 1975

DEPTH OF WELL 185  
TO NEAREST FOOT

REARITY NO. FROM "PERMIT TO DRILL WELL"  
60-73-12710

OWNER Payne ADDRESS 14501 Home Crest Dr.  
POST OFFICE Beltsville Springs, Md.

WELL LOG

STATE THE KIND OF FORMATIONS PENETRATED, THEIR COLOR, DEPTH, THICKNESS AND IF WATER BEARING

USE DESCRIPTION (FOR USE ONLY)	FEET		WATER BEARING
	FROM	TO	
<u>Sand</u>	0	60	
<u>Medium Gr. Sand</u>	60	185	✓

GRouting RECORD

WELL HAS BEEN GROUTED (CIRCLE APPROPRIATE BOX)  
TYPE OF GROUTING MATERIAL (CIRCLE BOX)  
CEMENT  M OTHER  C  
NO. OF BAGS 14 NO. OF POUNDS 1316  
GALLONS OF WATER 84  
DEPTH OF GROUT SEAL (TO NEAREST FOOT)  
FROM 0 FT. TO 40 FT.

CAVING RECORD  
INSERT APPROPRIATE CODE BELOW  
STEEL  CONCRETE   
D L OTHER

MAIN CASING TYPE 5  
NOMINAL DIAMETER TOP (INCHES) 7  
TOTAL DEPTH OF MAIN CASING (NEAREST FOOT) 63

OTHER CASING (IF USED)  
DIAMETER (INCH) \_\_\_\_\_ DEPTH (FEET) \_\_\_\_\_

SCREEN RECORD  
INSERT APPROPRIATE CODE BELOW  
STEEL  BRASS OR BRONZE  PLASTIC   
OTHER

DEPTH OF WELL TO NEAREST WHOLE FOOT  
FROM 0 TO 185

DIAMETER OF SCREEN \_\_\_\_\_ INCHES  
GRAVEL PACK \_\_\_\_\_  
IF WELL DRILLED HAS A FLOORING WELL CIRCLE BOX  F  
WRA USE ONLY (DO NOT BE FILLED IN BY DRILLER)  
TELESCOPE CASING  100' INDICATOR  OTHER DATA AVAILABLE

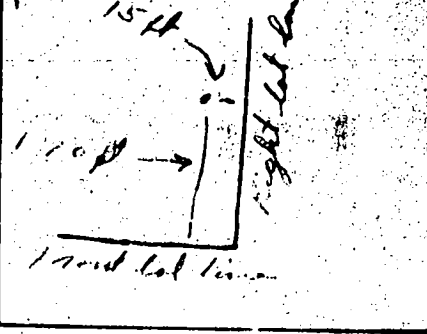
PUMPING TEST

WATER PUMPED (TO NEAREST GALLON) 2  
PUMPING RATE (GALLONS PER MINUTE TO NEAREST 10) 10  
METHOD USED TO MEASURE PUMPING RATE Flow  
WATER LEVEL (DISTANCE FROM LAND SURFACE) BEFORE PUMPING 45  
DURING PUMPING 5  
TYPE OF PUMP USED (CIRCLE APPROPRIATE BOX)  
CENTRIFUGAL  DIAPHRAGM  TURBINE   
SUBMERSIBLE

PUMP INSTALLED

TYPE OF PUMP (WRITE APPROPRIATE LETTER IN BOX - SEE ABOVE A, B, C, D, E, F, G)  
DRILLER WILL INSTALL PUMP (CIRCLE APPROPRIATE BOX)  
CAPACITY \_\_\_\_\_  
PUMP HORSE POWER \_\_\_\_\_  
PUMP COLUMN DEPTH (NEAREST FOOT) \_\_\_\_\_  
PUMPING HEIGHT (CIRCLE APPROPRIATE BOX AND ENTER GROUND SURFACE)  
ABOVE  BELOW  LAND SURFACE 5 FEET

LOCATION OF WELL ON LOT



10-31-75  
Casing 6 1/2"  
open 62'  
But 14 days  
H52

- CIRCLE APPROPRIATE BOXES
- A WELL WAS ABANDONED AND SEALED WHEN THIS WELL WAS COMPLETED
  - B TEST LOG OBTAINED
  - C TEST WELL CONVERTED TO PRODUCTION WELL

I HEREBY CERTIFY THAT I HAVE COMPLIED WITH ALL CONDITIONS STATED ON THE ABOVE-CAPTIONED "PERMIT TO DRILL WELL," AND THAT INFORMATION CONTAINED IN THIS REPORT IS TRUE, ACCURATE, AND COMPLETE TO THE BEST OF MY KNOWLEDGE, INFORMATION AND BELIEF.  
DRILLER'S NAME \_\_\_\_\_  
SIGNATURE \_\_\_\_\_